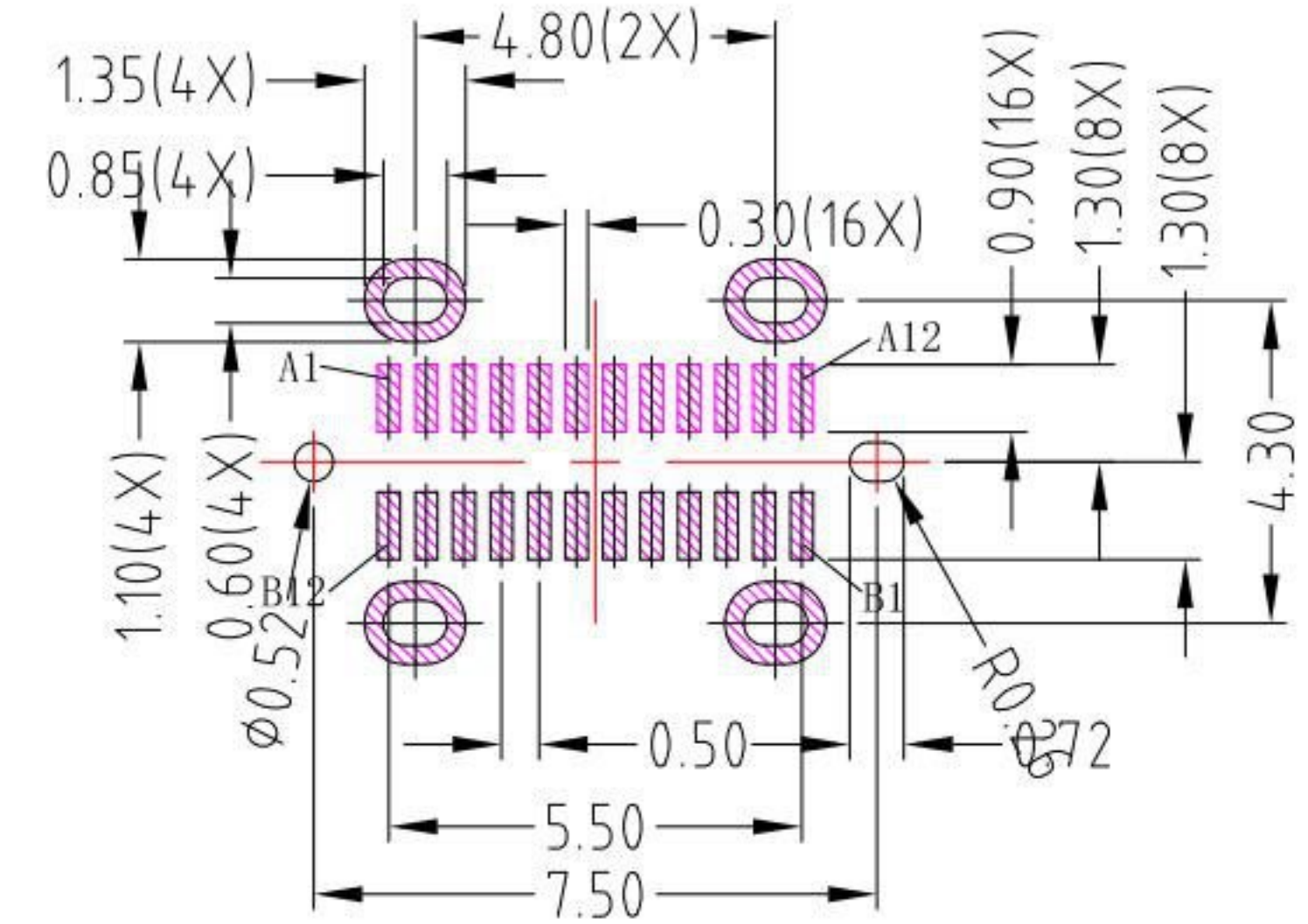




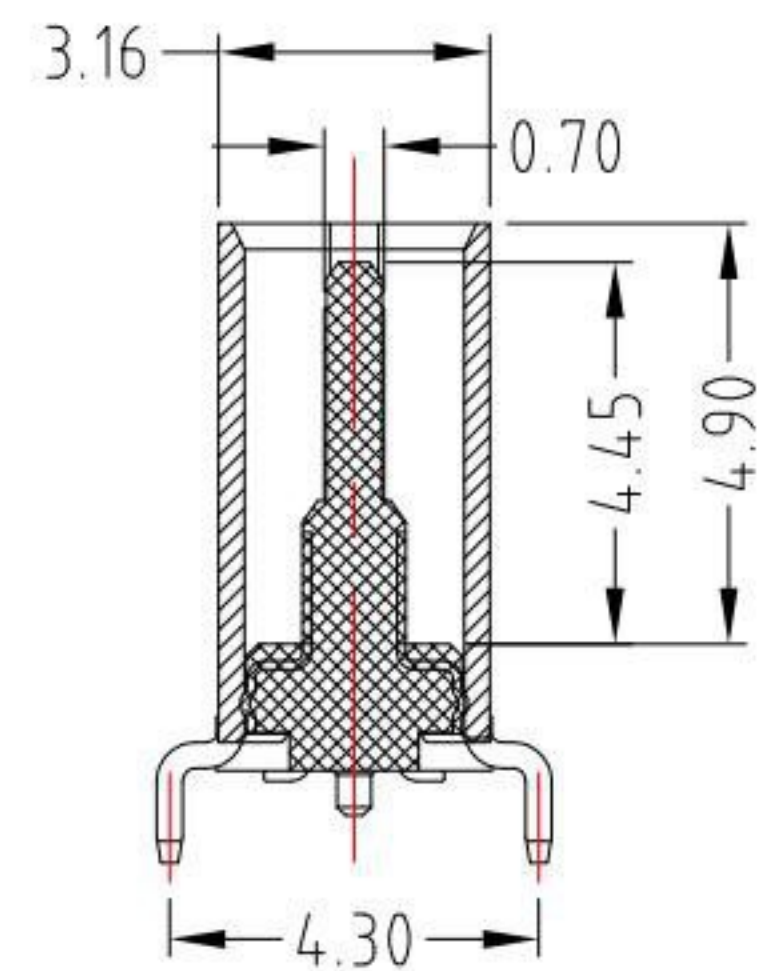
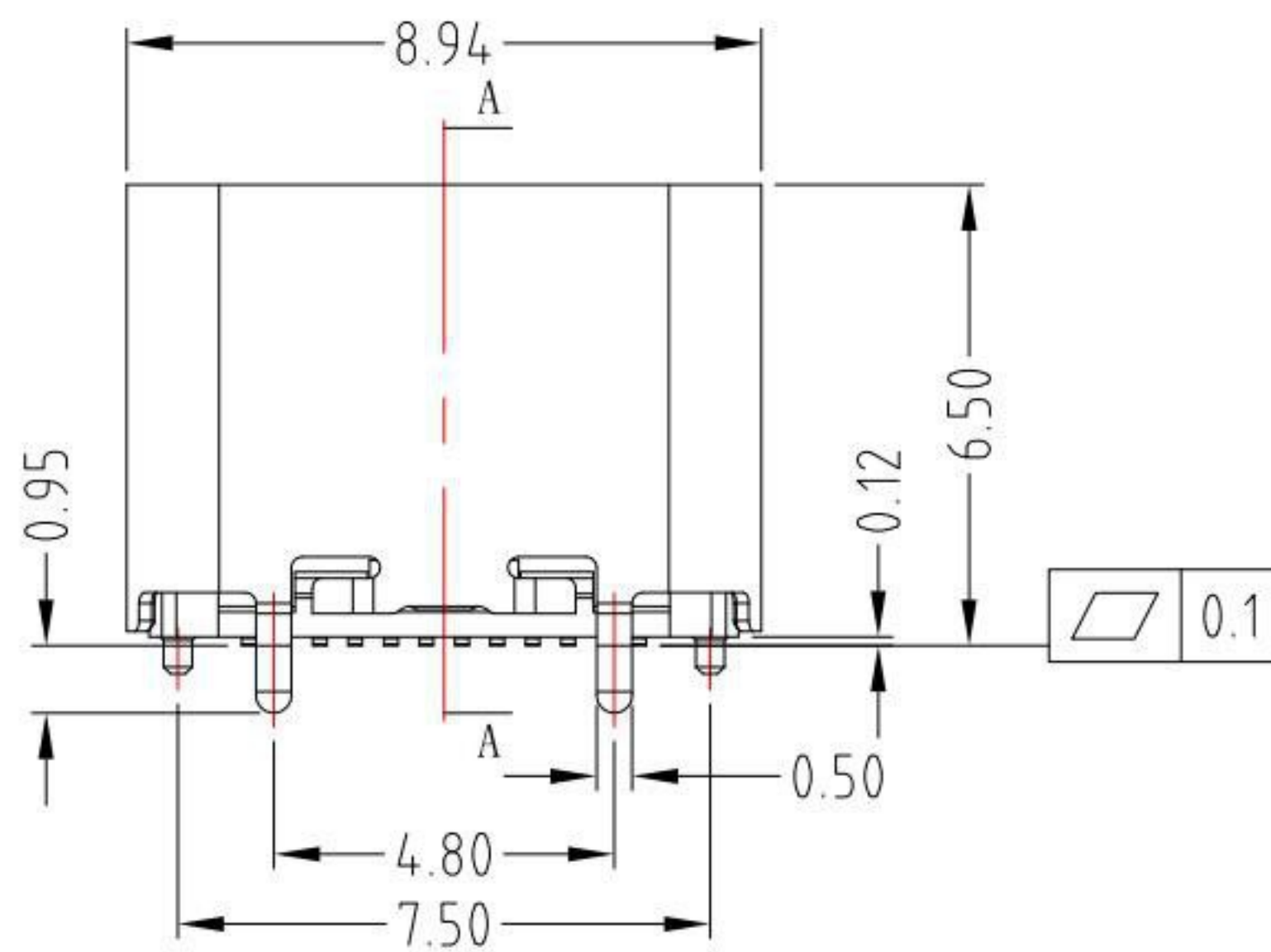
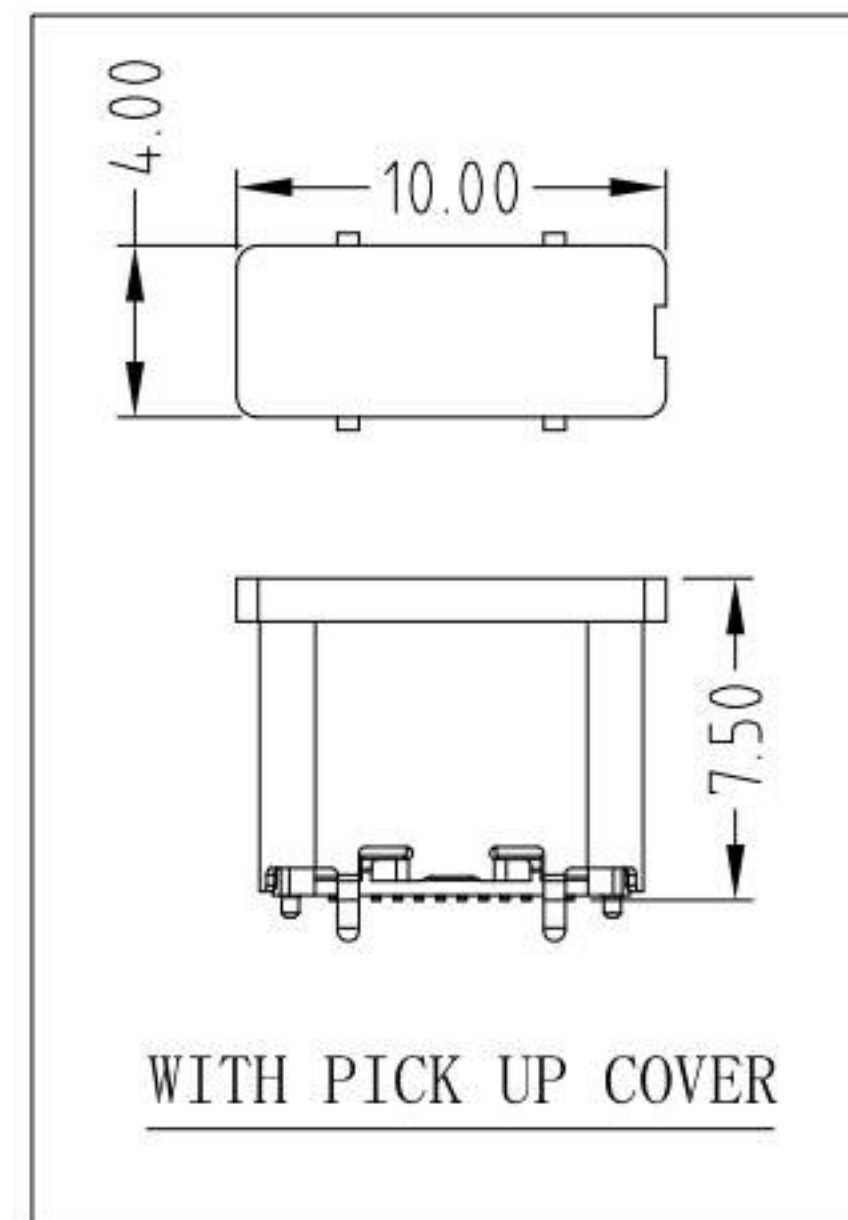
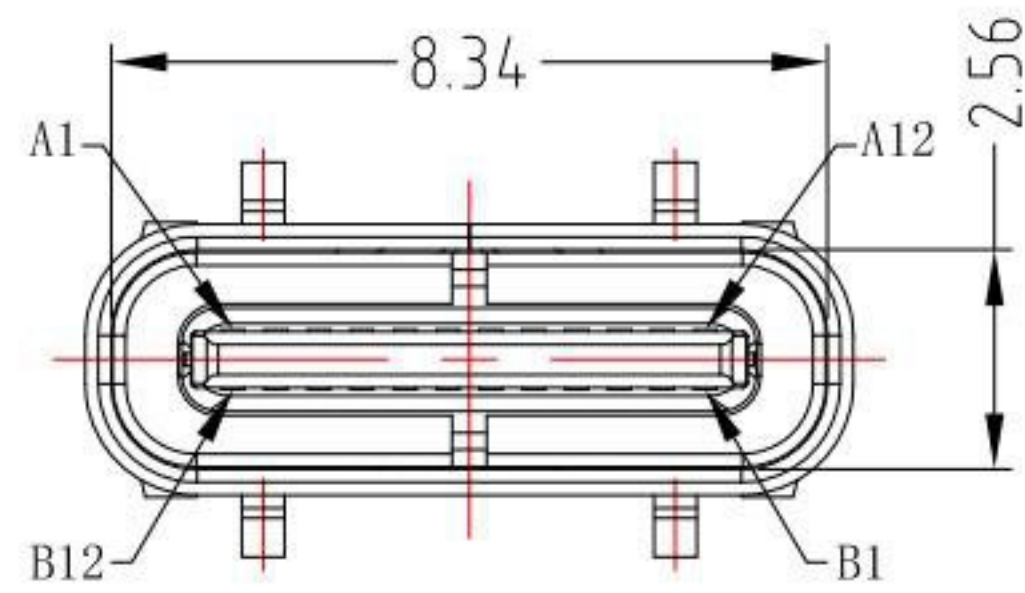
SBC-240VSE9A-31x-S175

鍍層厚度:

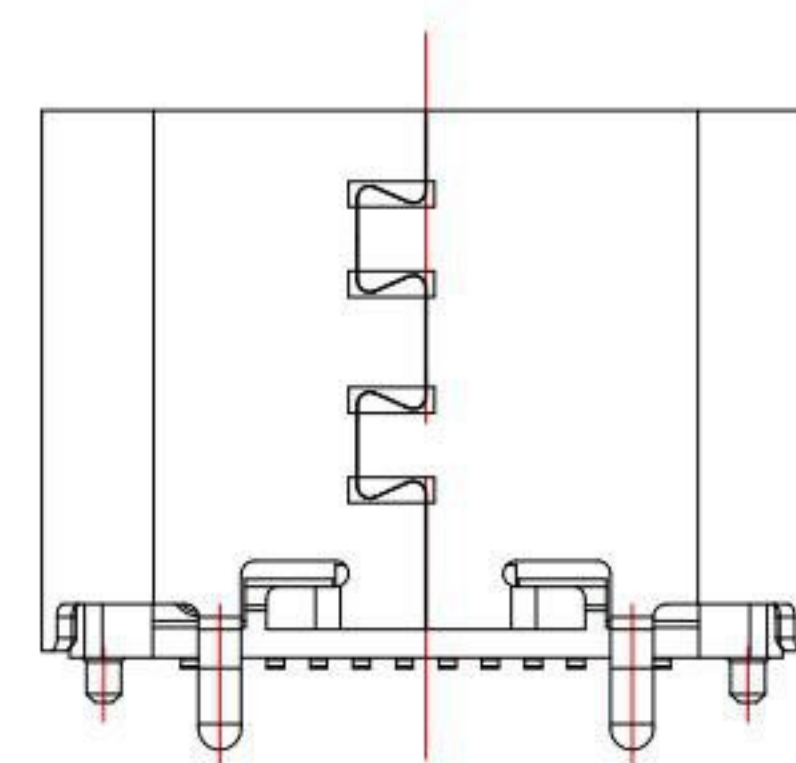
Blank	: 1u"
2	: 15u"
3	: 30u"



RECOMMEND P.C.B LAYOUT



SECTION A-A
SCALE 1:1



USB TYPE C PIN ASSIGNMENTS

PIN NUMBER	SIGNAL NAME	PIN NUMBER	SIGNAL NAME
A1	GND	B12	GND
A2	TX1+	B11	TX1+
A3	TX1-	B10	TX1-
A4	VBUS	B9	VBUS
A5	CC1	B8	SBU2
A6	DP1	B7	DN2
A7	DN1	B6	DP2
A8	SBU1	B5	CC2
A9	VBUS	B4	VBUS
A10	RX2-	B3	TX2-
A11	RX2+	B2	TX2+
A12	GND	B1	GND

SPECIFICATIONS

Electrical:

- 1.Rating: 5.0V , 5.0A
- 2.Dielectric Withstand Voltage: 100V AC
- 3.Contact Resistance: 40 mΩ Max
- 4.Insulation Resistance: 100 MΩ Min

Mechanical:

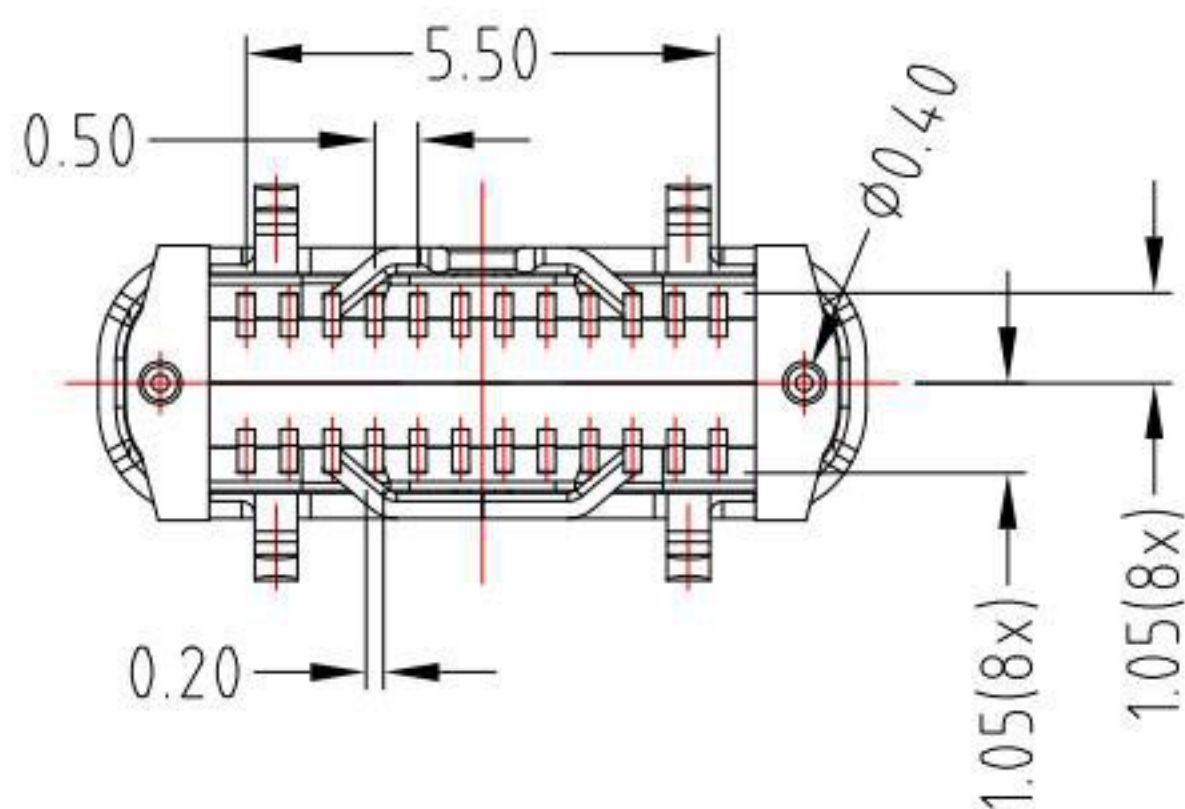
- 1.Connector Mate and Unmate Force
 - 1.1 Mate force: 5~20 N
 - 1.2 Unmate force: 8~20 N

Material:

- 1.Housing: LCP
- 2.Contact: C18400
- 3.Shell: SUS

Finish:

- 1.Contact: Plated Gold in Mating Area ;
Gold Plated on Solder Balls ;
Nickel under plated overall
- 2.Shell: Nickel under Plated surface layer



KSD 科斯达电子科技有限公司
SWITCH CONNECTOR KSD ELECTRONIC TECHNOLOGY Co., LTD
全球 互联零组件制造企业

TOLERANCE UNLESS OTHERWISE STATED:	Up to 5 ±0.2	3RD. ANGEL'S	UNITS	MM
	Above 5 ~ 15 ±0.3			
	Above 15 ~ 30 ±0.4			
	Above 30 ~ 50 ±0.5			
	Angle ±0.3°			

DRAWN BY:	DATE	MAT'L	TITLE	CONNECTOR
Jack Lu	04/07/22		MODLE	TYPE C FEMALE VERTICAL H:6.5mm SMT TYPE
CHECKED BY:	DATE	FINISH	DWG NO.	SBC-240VSE9A-31x-S175
Jacky Chen	04/07/22		PART NO.	SBC-240VSE9A-31x-S175
APPROVED BY:	DATE	SCALE	SHEET NO.	1 of 1
Tony Kao	04/07/22	1:1		

ITEM NO.	DESCRIPTION	DRAWN	DATE