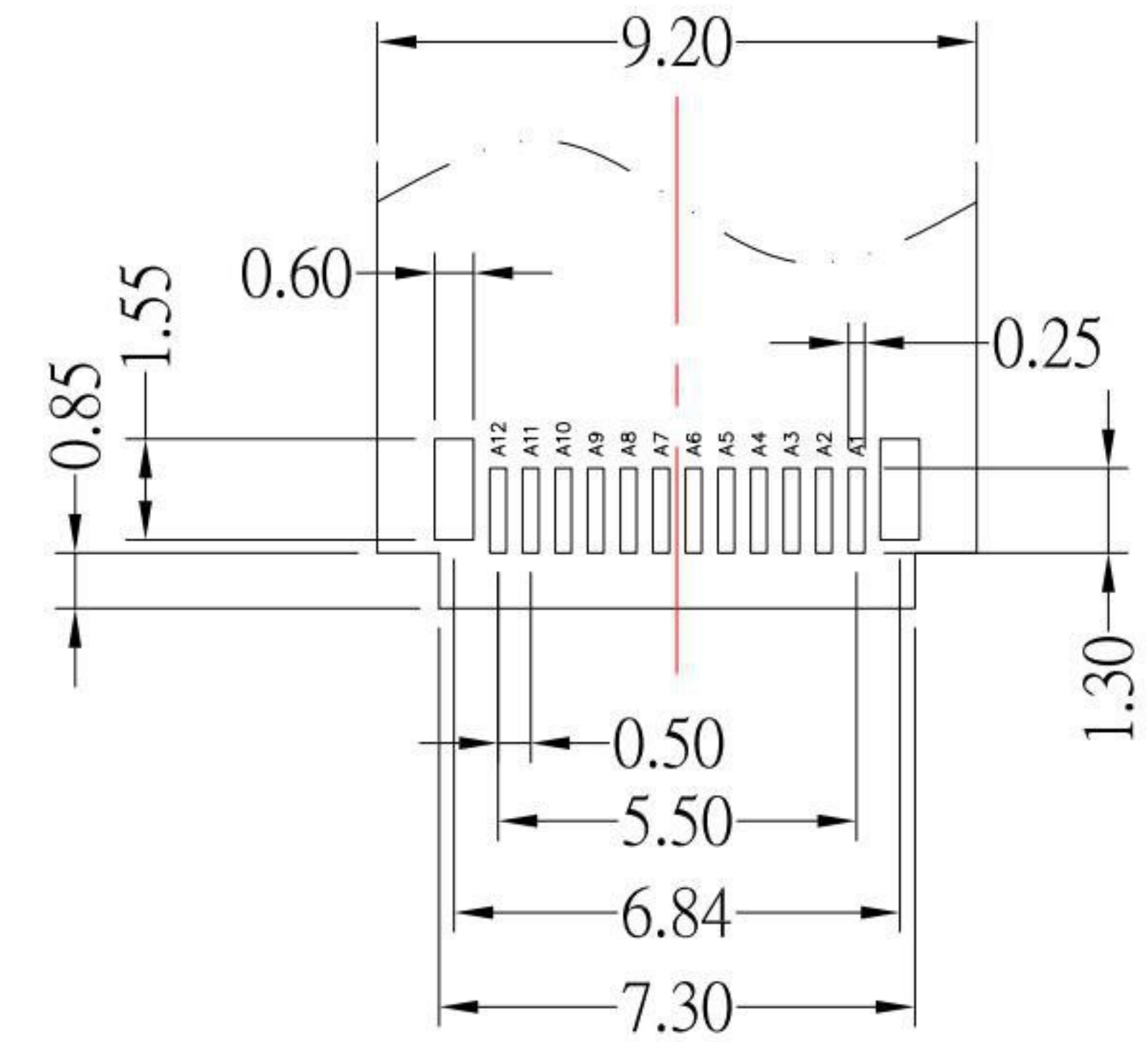


A1	GND	B12	GND
A2	SSTXP1	B11	SSRXP1
A3	SSTXN1	B10	SSRXN1
A4	VBUS	B9	VBUS
A5	CC1	B8	SBU2
A6	DP1	B7	DN2
A7	DN1	B6	DP2
A8	SBU1	B5	CC2
A9	VBUS	B4	VBUS
A10	SSRXN2	B3	SSTXN2
A11	SSRXP2	B2	SSTXP2
A12	GND	B1	GND
PIN	SIGNAL NAMF	PIN	SIGNAL NAMF



**PCB LAYOUT**

**SPECIFICATIONS**

**Electrical:**

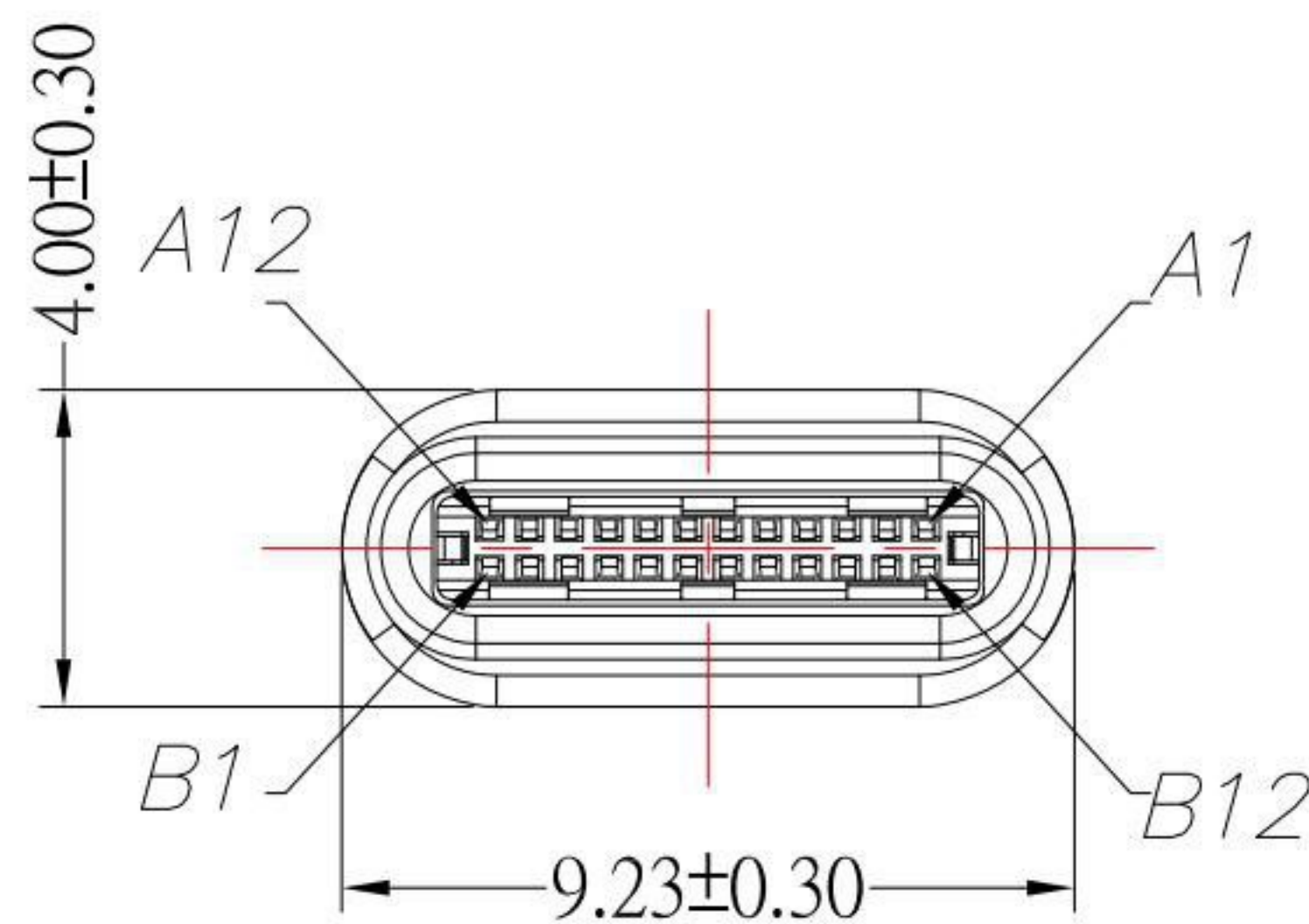
- 1.Current Rating: 3.0A
- 2.Contact Resistance: 40 mΩ Max
- 3.Dielectric Withstanding Voltage: 100 V AC
- 5.Insulation Resistance: 100 MΩ Min

**Material:**

- 1.Housing:LCP
- 2.Contact: C7025
- 3.Shell: SUS

**Finish:**

- 1.Contact: Plated Gold in Mating Area ;  
Tin Plated on Solder Balls ;  
Nickel under plated overall
- 2.Shell: Nickel under Plated surface layer



**SBC-241PL26-31x-S271**

鍍層厚度 :

Blank : 1u"
2 : 15u"
3 : 30u"

4	更新圖面	Jack	121522
3	更新Contact材質	Jack	111822
2	更新尺寸	Jack	060820
1	更新PCB LAYOUT	Jack	123019
ITEM NO.	DESCRIPTION	DRAWN	DATE

**KSD** 科斯达电子科技有限公司  
 SWITCH CONNECTOR KSD ELECTRONIC TECHNOLOGY Co., LTD  
 全球 互聯零組件製造企業

TOLERANCE UNLESS OTHERWISE STATED :  
 Up to 5 ±0.2  
 Above 5 ~ 15 ±0.3  
 Above 15 ~ 30 ±0.4  
 Above 30 ~ 50 ±0.5  
 Angle ±0.3°

3RD. ANGEL'S

UNITS MM

DRAWN BY:	DATE	MAT'L	TITLE	CONNECTOR
Jack Lu	12/15/22			
CHECKED BY:	DATE	FINISH	MODLE	TYPE C 公頭不帶板 拉伸款
Jacky Chen	12/15/22			
APPROVED BY:	DATE	SCALE	DWG NO.	SBC-241PL26-31x-S271
Tony Kao	12/15/22	1 : 1		
SHEET NO.	1 of 1	PART NO.	SBC-241PL26-31x-S271	SIZE A4
				VER R4