



SBC-241PL9-31x-S271

鍍層厚度：

Blank	: 1u"
2	: 15u"
3	: 30u"

SPECIFICATIONS

Electrical:

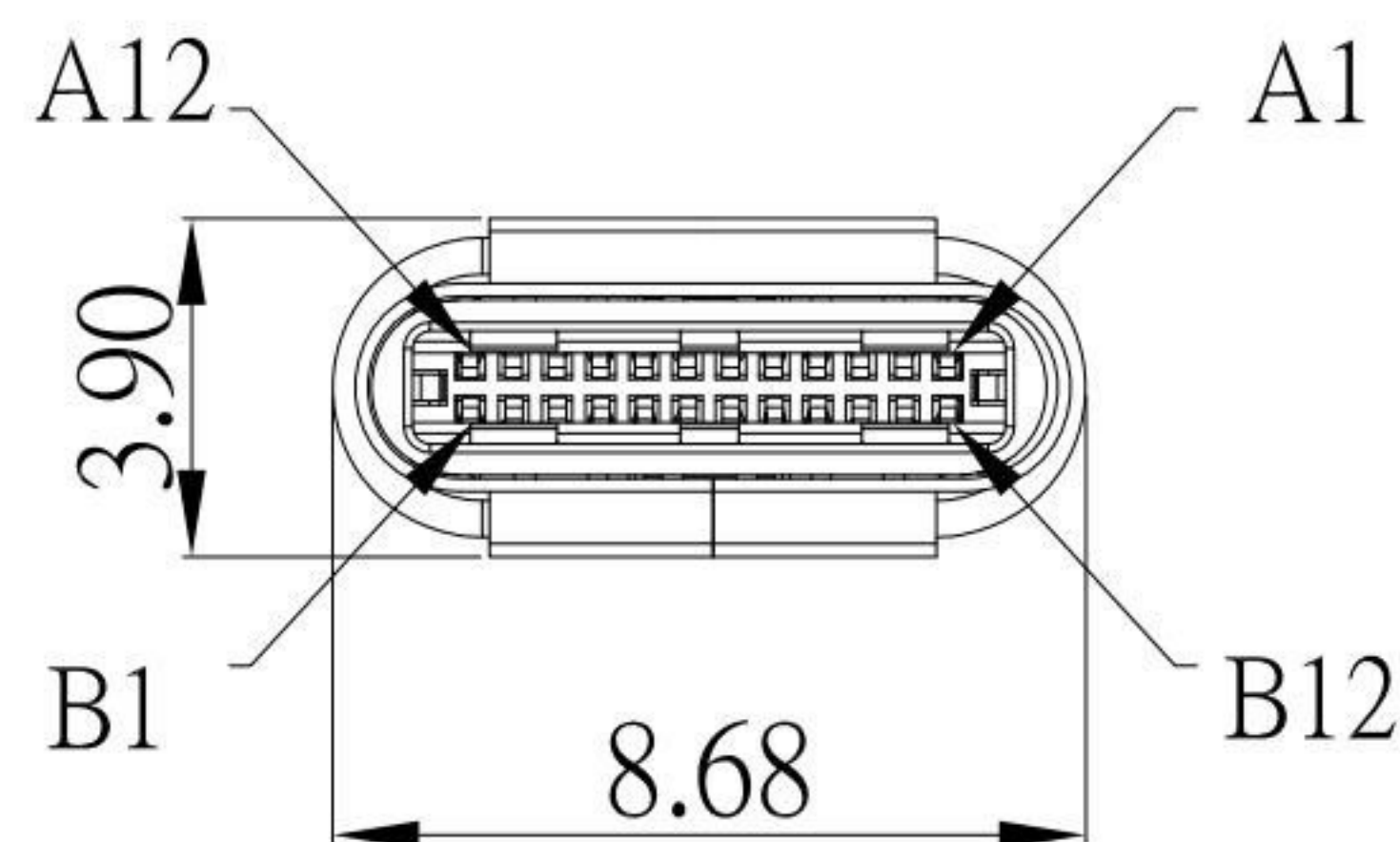
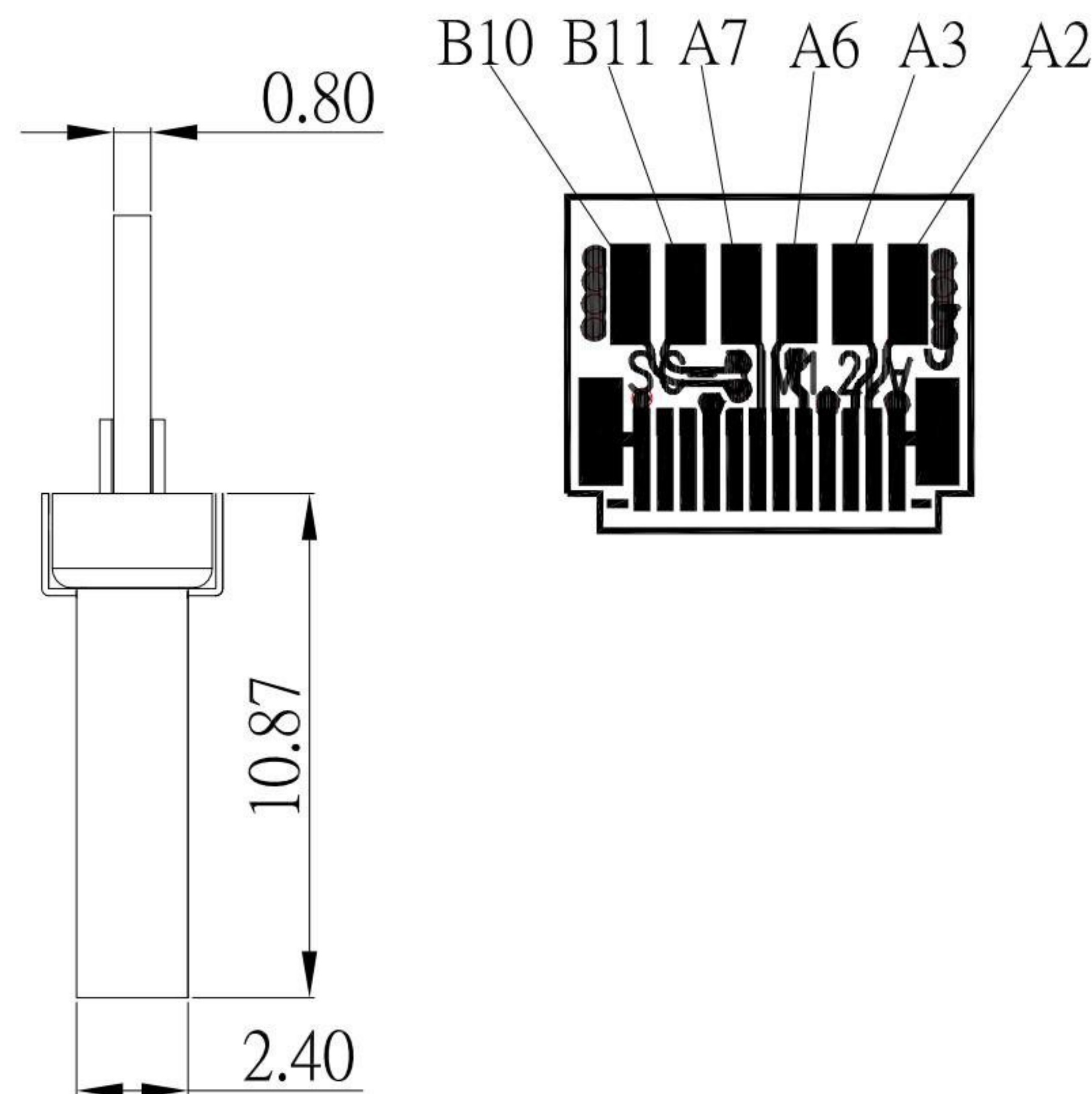
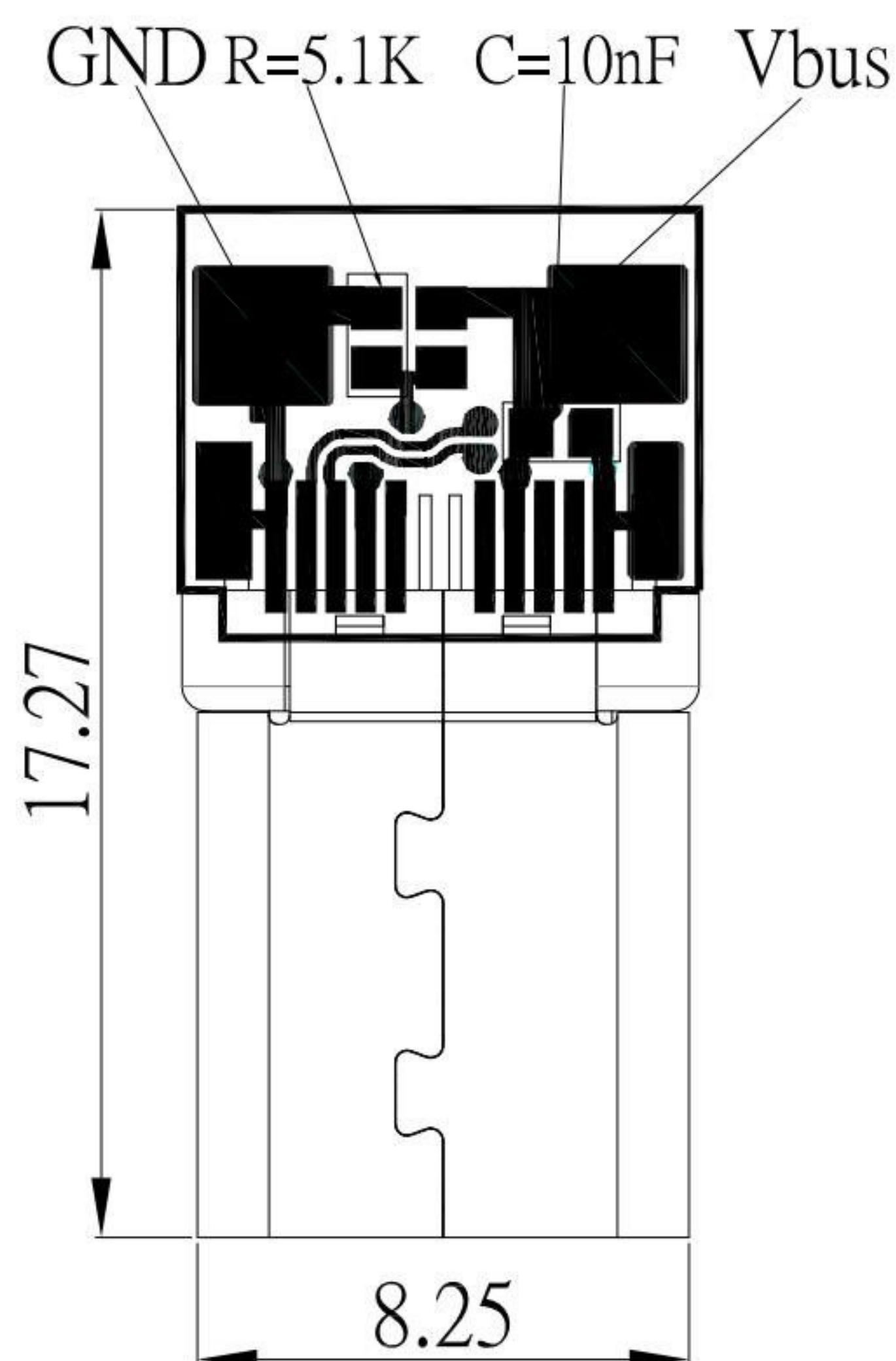
1. Rating: 3.0A
2. Contact Resistance: 40 mΩ Max
3. Insulation Resistance: 100 MΩ Min
4. Dielectric Withstanding Voltage: 100V AC

Material:

1. Housing: LCP, UL 94V-0
2. Contact: Copper Alloy
3. Shell: SUS

Finish:

1. Contact: Plated Gold in Mating Area ;
Tin Plated on Solder Balls ;
Nickel under plated overall
2. Shell: Nickel under Plated surface layer

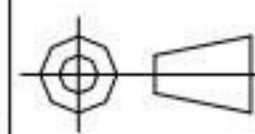


前端接口

KSD 科斯达电子科技有限公司
SWITCH CONNECTOR KSD ELECTRONIC TECHNOLOGY Co., LTD
全球 互联零组件制造企业

TOLERANCE UNLESS OTHERWISE STATED :
Up to 5 ±0.2
Above 5 ~ 15 ±0.3
Above 15 ~ 30 ±0.4
Above 30 ~ 50 ±0.5
Angle ±0.3°

3RD. ANGEL'S



UNITS MM

DRAWN BY: Jack Lu
DATE: 12/25/17
CHECKED BY: Jacky Chen
DATE: 12/25/17
APPROVED BY: Tony Kao
DATE: 12/25/17

MAT'L		TITLE	CONNECTOR
FINISH		MODLE	USB 3.1 TYPE C 公頭 铆合帶板 帶電阻5.1K L10.87
SCALE	1 : 1	DWG NO.	SBC-241PL9-31x-S271
SHEET NO.	1 of 1	PART NO.	SBC-241PL9-31x-S271

SIZE A4
VER R1

1	更新MODLE	Jack	122517
ITEM NO.	DESCRIPTION	DRAWN	DATE