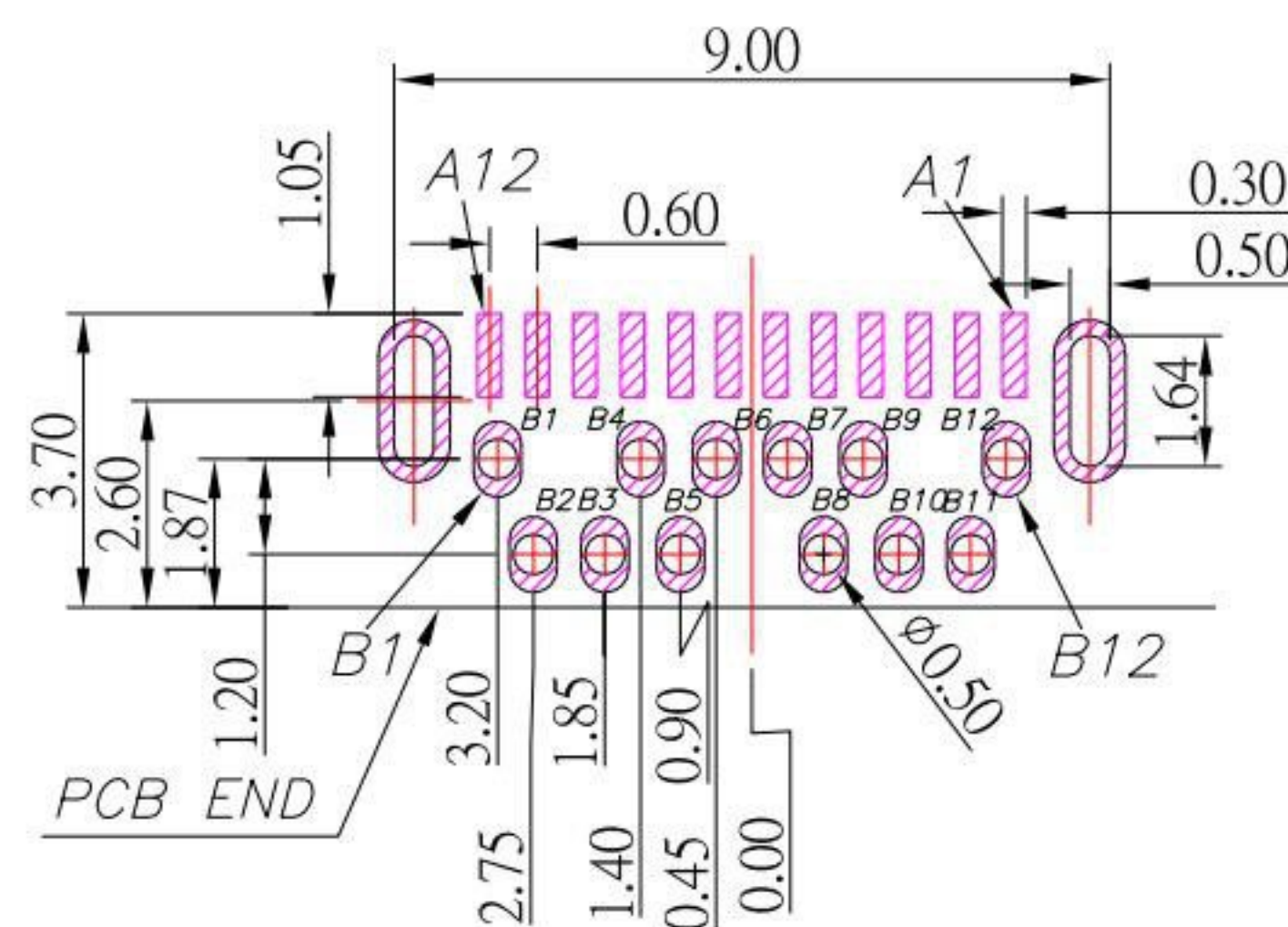
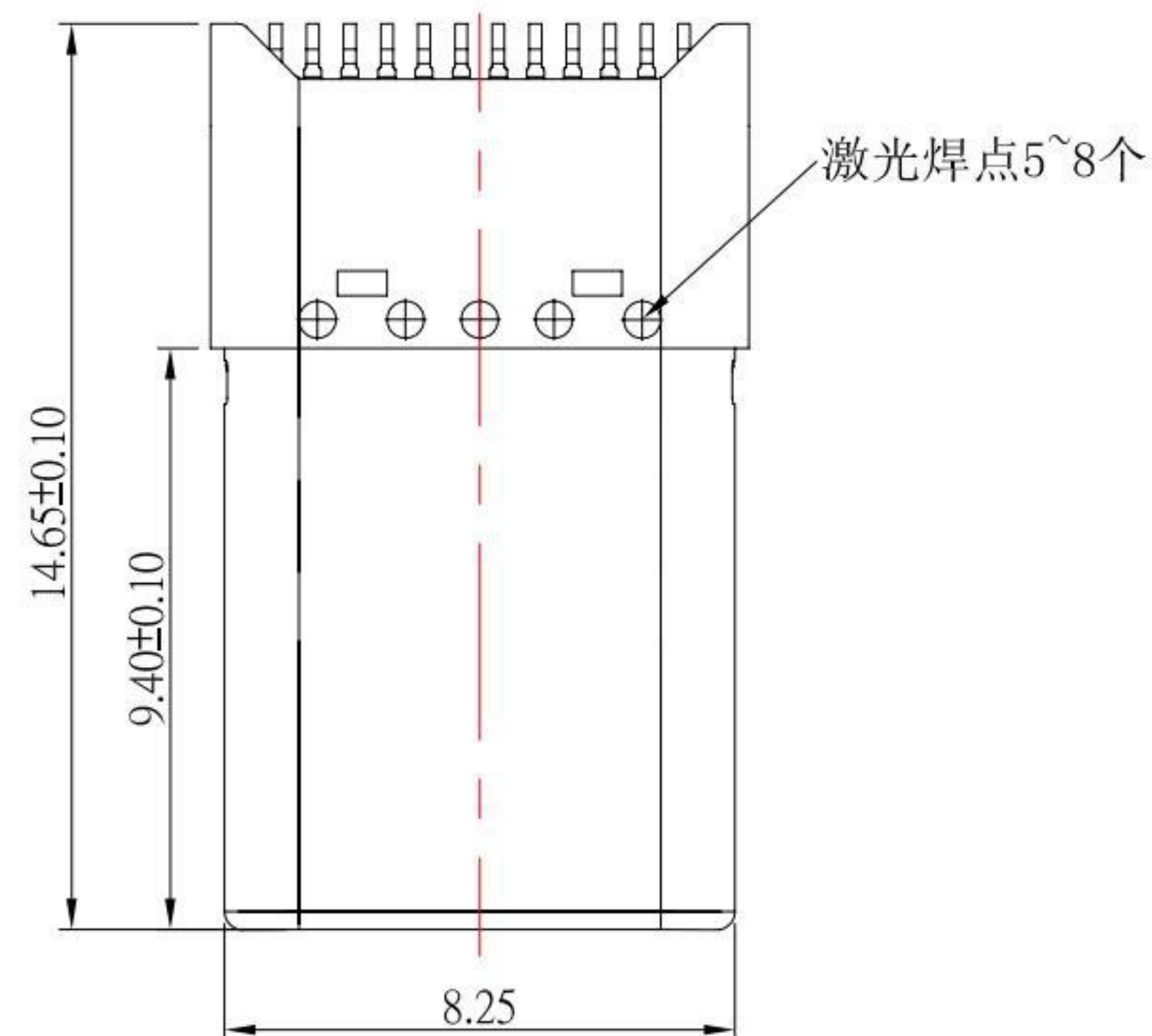




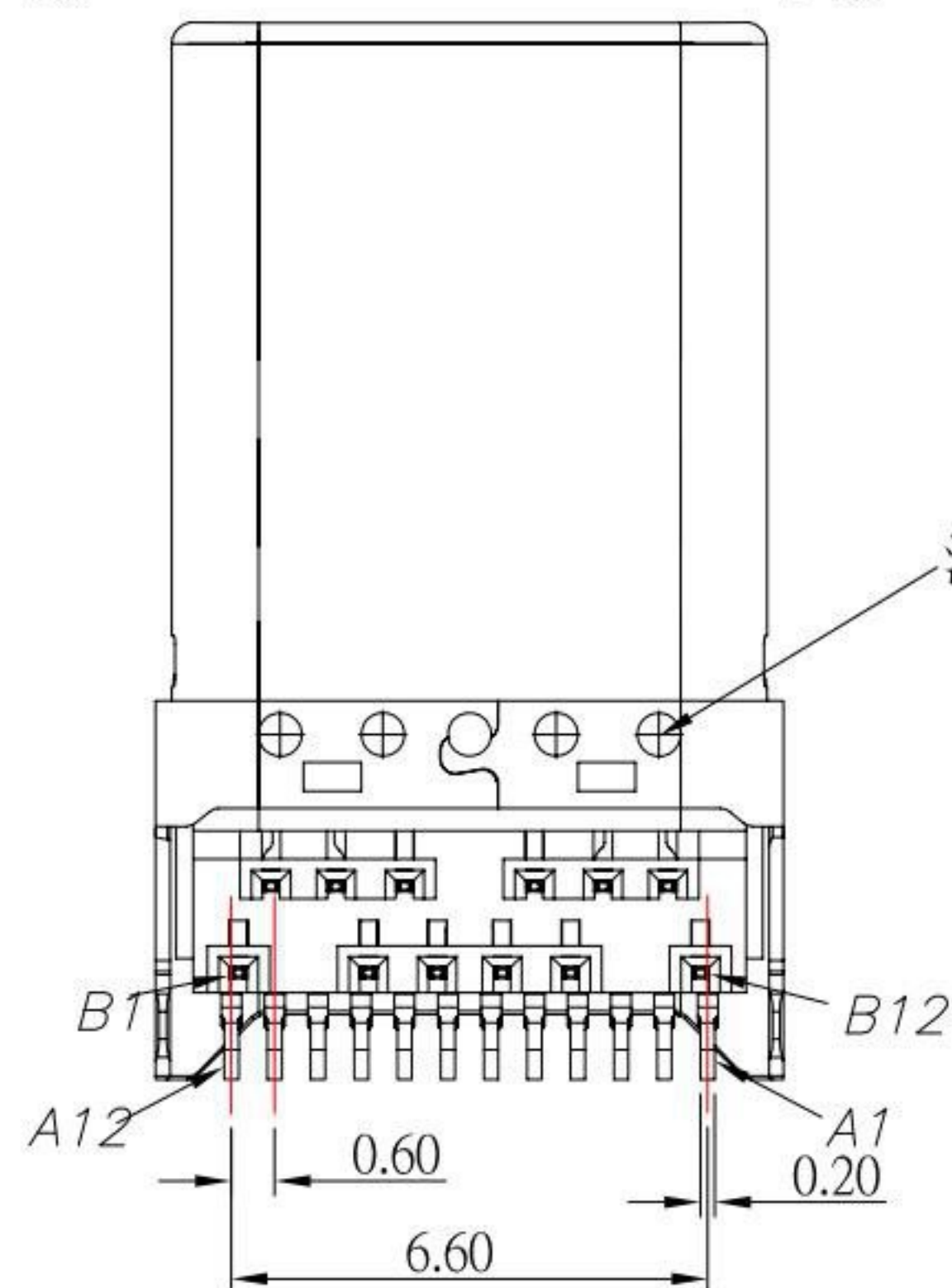
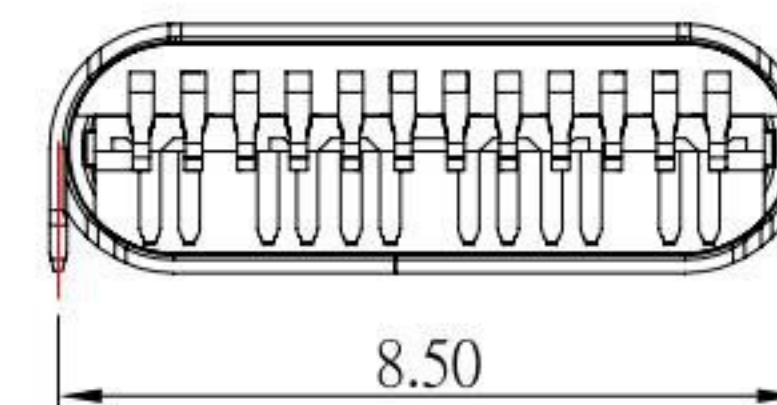
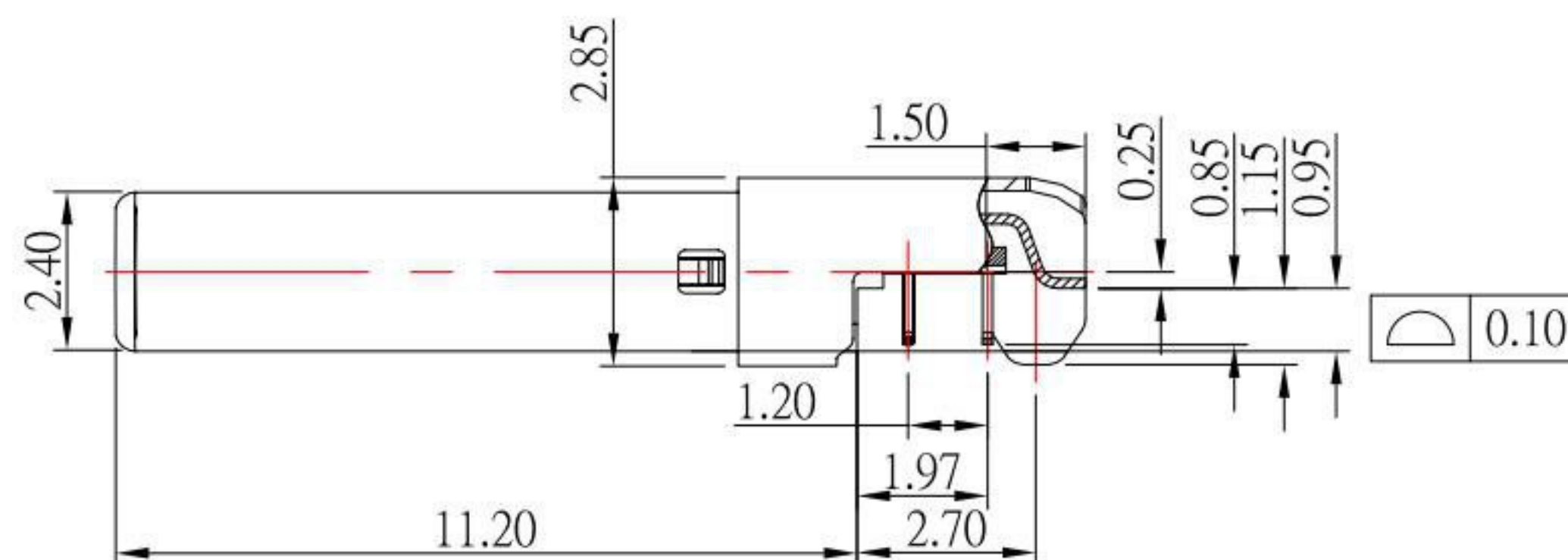
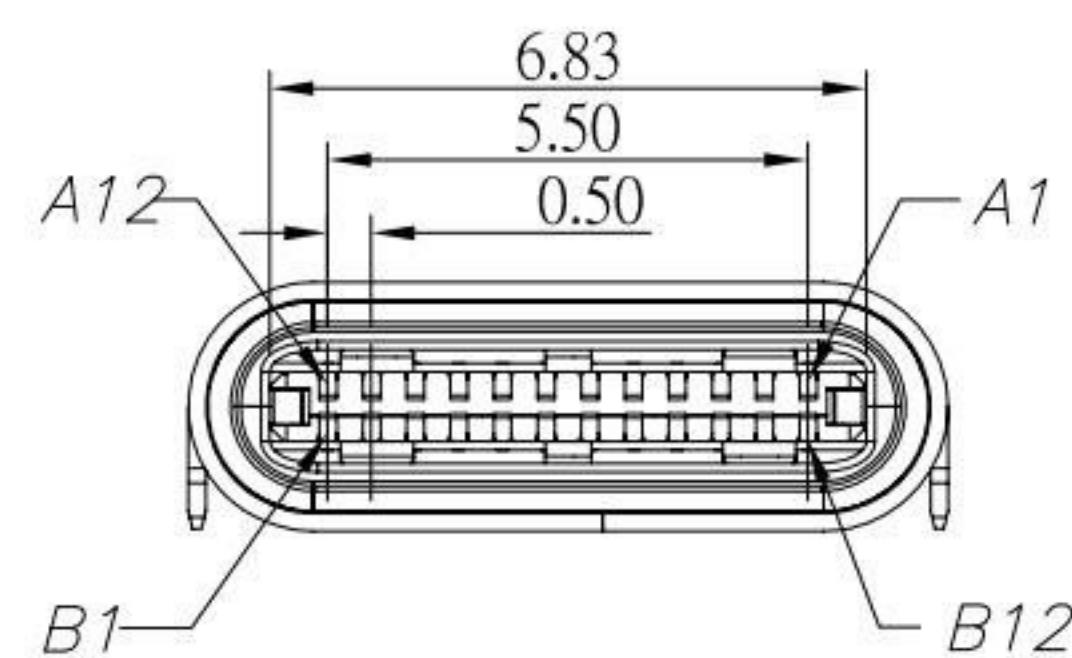
SBC-241PLM6-31x-S165

鍍層厚度:

Blank : 1u"
2 : 15u"
3 : 30u"



P.C.B LAYOUT MOUNTING PATTERN



A1	GND	B12	GND
A2	TXp1	B11	RXp1
A3	TXn1	B10	RXn1
A4	VBUS	B9	VBUS
A5	CC1	B8	SBU2
A6	Dp1	B7	
A7	Dn1	B6	
A8	SBU1	B5	Vcom
A9	VBUS	B4	VBUS
A10	RXn2	B3	TXn2
A11	RXp2	B2	TXp2
A12	GND	B1	GND
PIN	SIGNAL NAME	PIN	SIGNAL NAME

SPECIFICATIONS

Electrical:

- Rating: 3.0A
- Contact Resistance: 40 mΩ Max
- Insulation Resistance: 100 MΩ Min
- Dielectric Withstanding Voltage: 100V AC

Mechanical:

- Connector Mate and Unmate Force
 - Mate force: 5~20 N
 - Unmate force: 8~20 N

Material:

- Housing: LCP
- Contact: C7025
- Shell: SUS

Finish:

- Contact: Plated Gold in Mating Area ;
Tin Plated on Solder Balls ;
Nickel under plated overall
- Shell: Nickel under Plated surface layer

4	更新激光焊點數量	Jack	090522
3	更新材質	Jack	091421
2	更新PCB LAYOUT	Jack	042921
1	更新圖面	Jack	030221
ITEM NO.	DESCRIPTION	DRAWN	DATE

KSD 科斯达电子科技有限公司
 SWITCH CONNECTOR 全球 互聯零組件製造企業
 KSD ELECTRONIC TECHNOLOGY Co., LTD

TOLERANCE UNLESS OTHERWISE STATED:

Up to 5	±0.2
Above 5 ~ 15	±0.3
Above 15 ~ 30	±0.4
Above 30 ~ 50	±0.5
Angle	±0.3°

3RD. ANGEL'S

UNITS: MM

DRAWN BY:	DATE	MAT'L	TITLE	CONNECTOR
Jack Lu	09/05/22			
CHECKED BY:	DATE	FINISH	MODLE	TYPE C Male 沉板,板上H1.675mm
Jacky Chen	09/05/22			
APPROVED BY:	DATE	SCALE	DWG NO.	SBC-241PLM6-31x-S165
Tony Kao	09/05/22	1:1		
		SHEET NO.	PART NO.	SBC-241PLM6-31x-S165
		1 of 1		
			SIZE	A4
			VER	R4