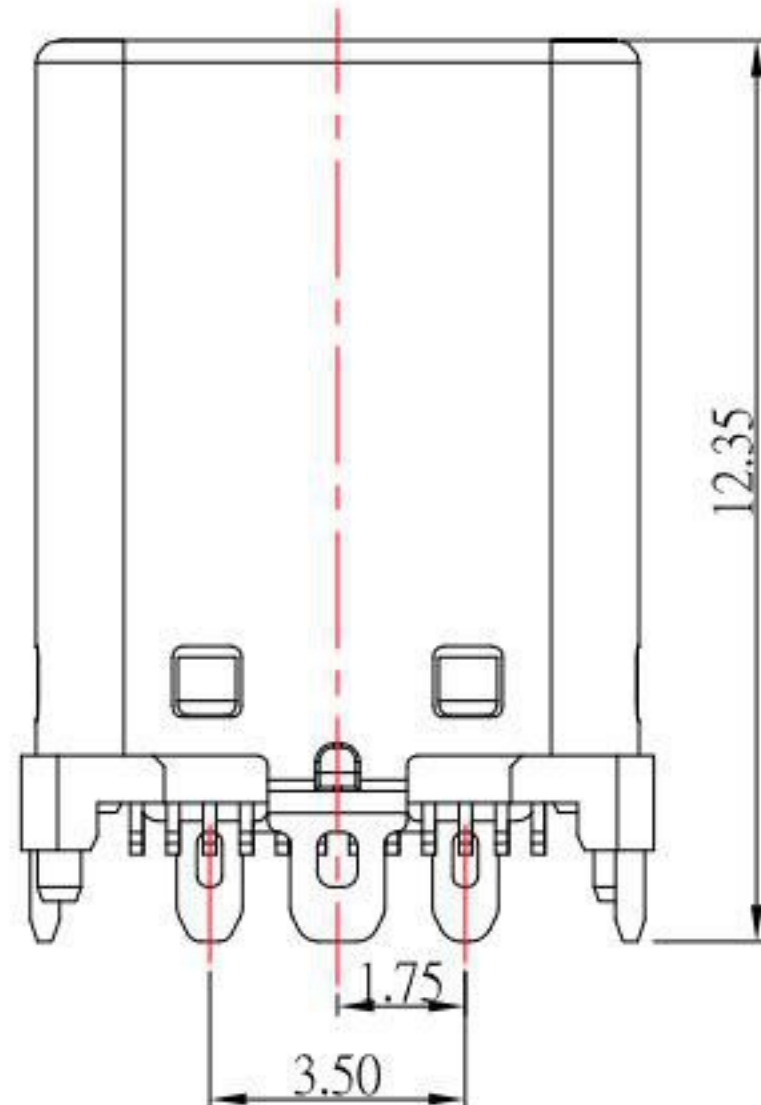
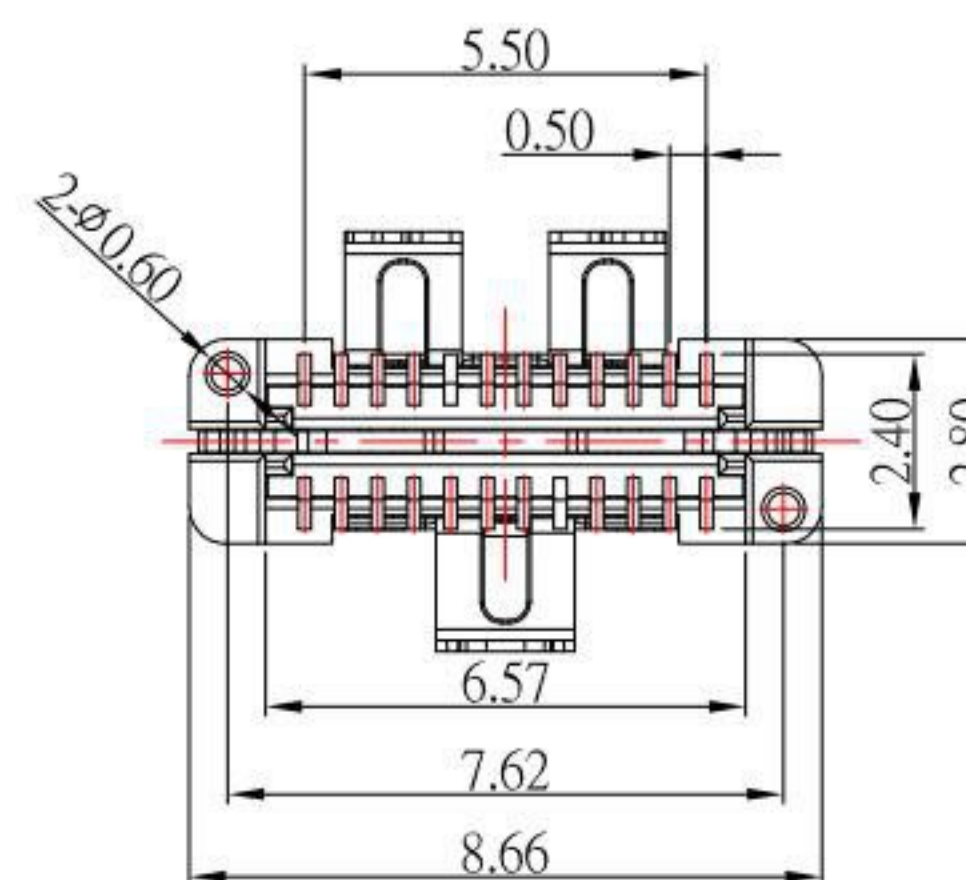
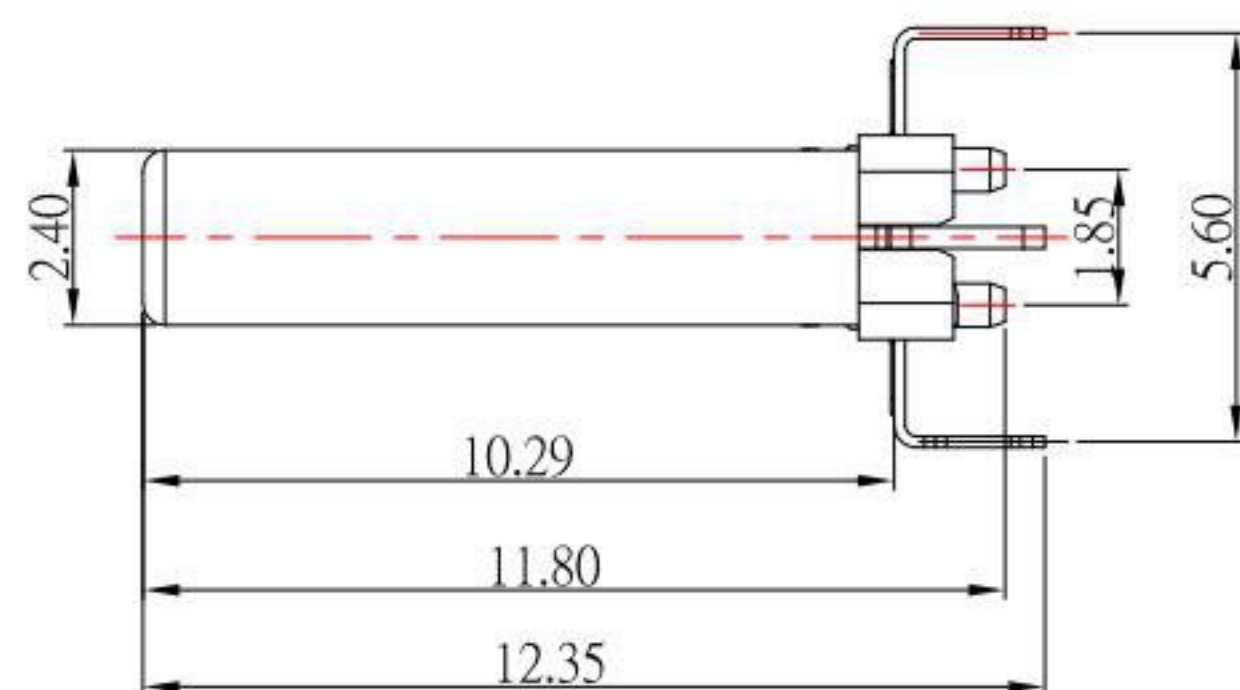
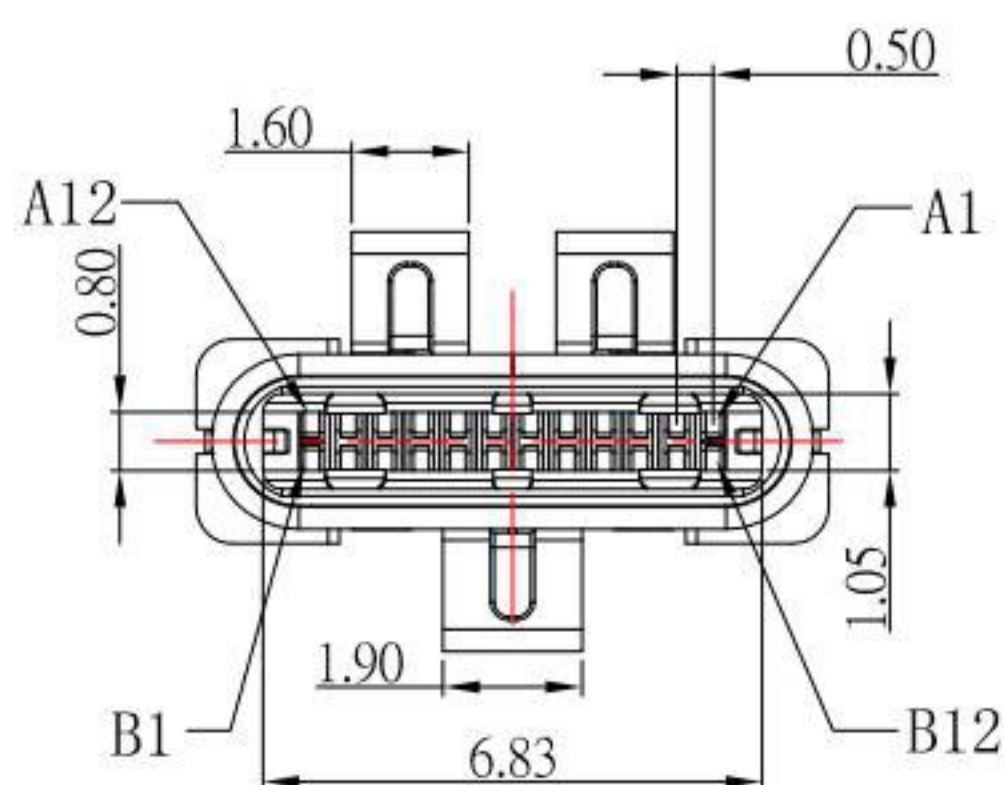


RECOMMENDED P.C.B. LAYOUT



A1	GND	B12	GND
A2	SSTXP1	B11	SSRXP1
A3	SSTXN1	B10	SSRXN1
A4	VBUS	B9	VBUS
A5	CC1	B8	SBU2
A6	DP1	B7	DN2
A7	DN1	B6	DP2
A8	SBU1	B5	CC2
A9	VBUS	B4	VBUS
A10	SSRXN2	B3	SSTXN2
A11	SSRXP2	B2	SSTXP2
A12	GND	B1	GND
PIN	SIGNAL NAME	PIN	SIGNAL NAME

### SPECIFICATIONS

#### Electrical:

1. Rating: 3.0 A
2. Dielectric Withstand Voltage: 100V AC
3. Contact Resistance: 40 mΩ Max
4. Insulation Resistance: 100 MΩ Min

#### Mechanical:

1. Connector Mate and Unmate Force
  - 1.1 Mate force: 5~20 N
  - 1.2 Unmate force: 8~20 N

#### Material:

1. Housing: LCP
2. Contact: C7025
3. Shell: SUS

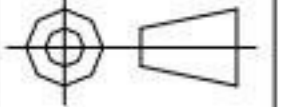
#### Finish:

1. Contact: Plated Gold in Mating Area ;  
Tin Plated on Solder Balls ;  
Nickel under plated overall
2. Shell: Nickel under Plated surface layer

**KSD** 科斯达电子科技有限公司  
SWITCH CONNECTOR KSD ELECTRONIC TECHNOLOGY Co., LTD  
全球 互联网 零组件 制造企业

TOLERANCE UNLESS OTHERWISE STATED:  
Up to 5 ±0.2  
Above 5 ~ 15 ±0.3  
Above 15 ~ 30 ±0.4  
Above 30 ~ 50 ±0.5  
Angle ±0.3°

3RD. ANGEL'S



UNITS

MM

DRAWN BY: DATE

Jack Lu 09/15/21

CHECKED BY: DATE

Jacky Chen 09/15/21

APPROVED BY: DATE

Tony Kao 09/15/21

MAT'L

FINISH

SCALE

SHEET NO.

TITLE

MODLE

DWG NO.

PART NO.

CONNECTOR

TYPE C/M Male VERTICAL SMT TYPE

SBC-241VSE-31-S338

SBC-241VSE-31-S338

SIZE

A4

VER

R4

ITEM NO.	DESCRIPTION	DRAWN	DATE
4	更新材質	Jack	091521
3	更新外型	Jack	082721
2	更新MODLE	Jack	082119
1	更新樣式	Lan	050819