

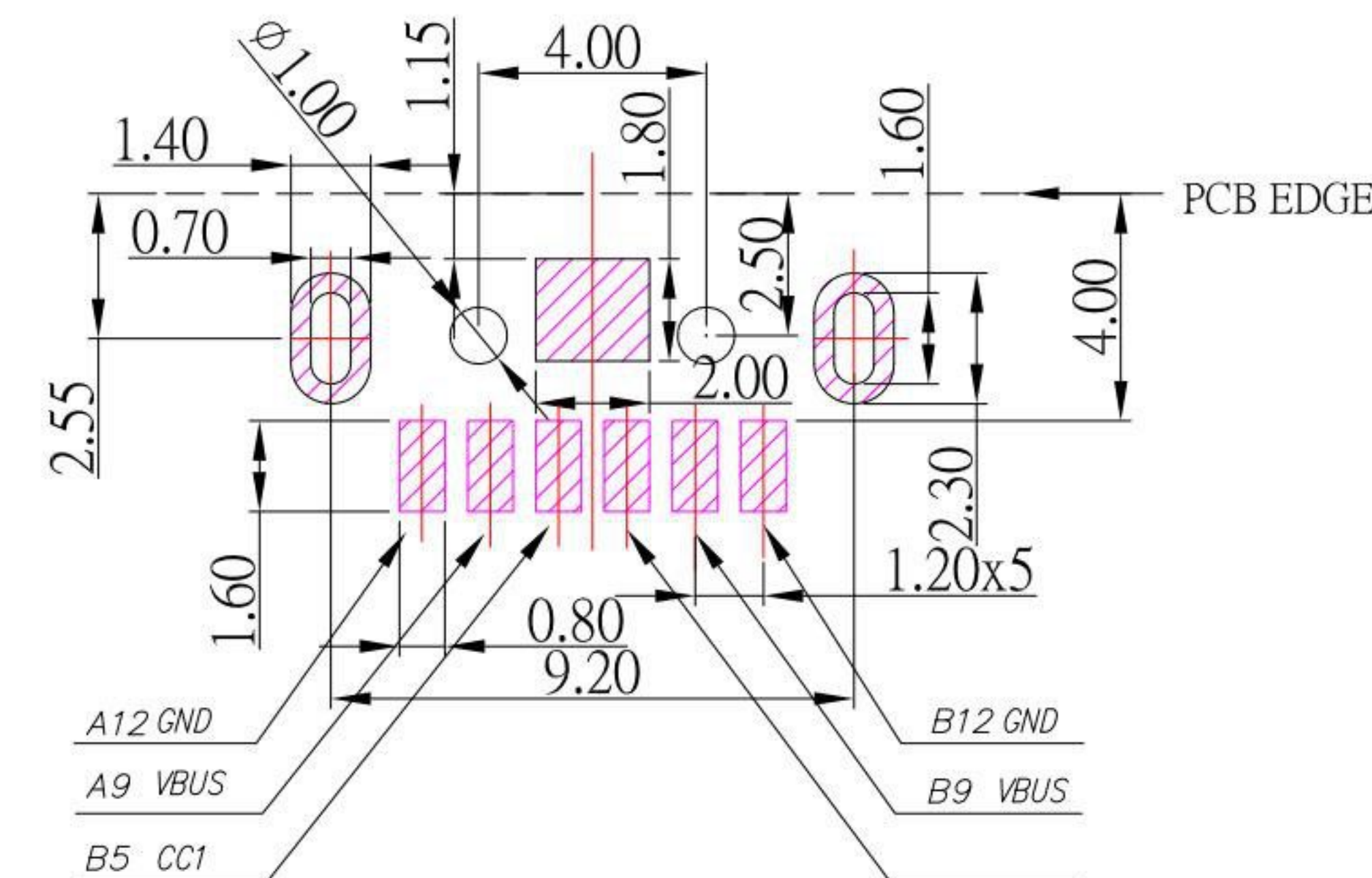
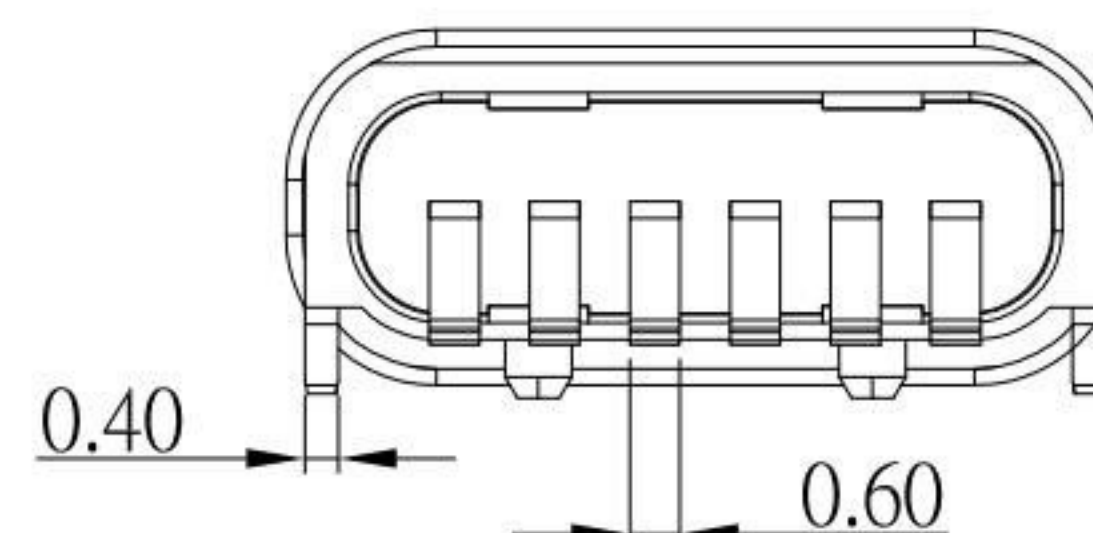
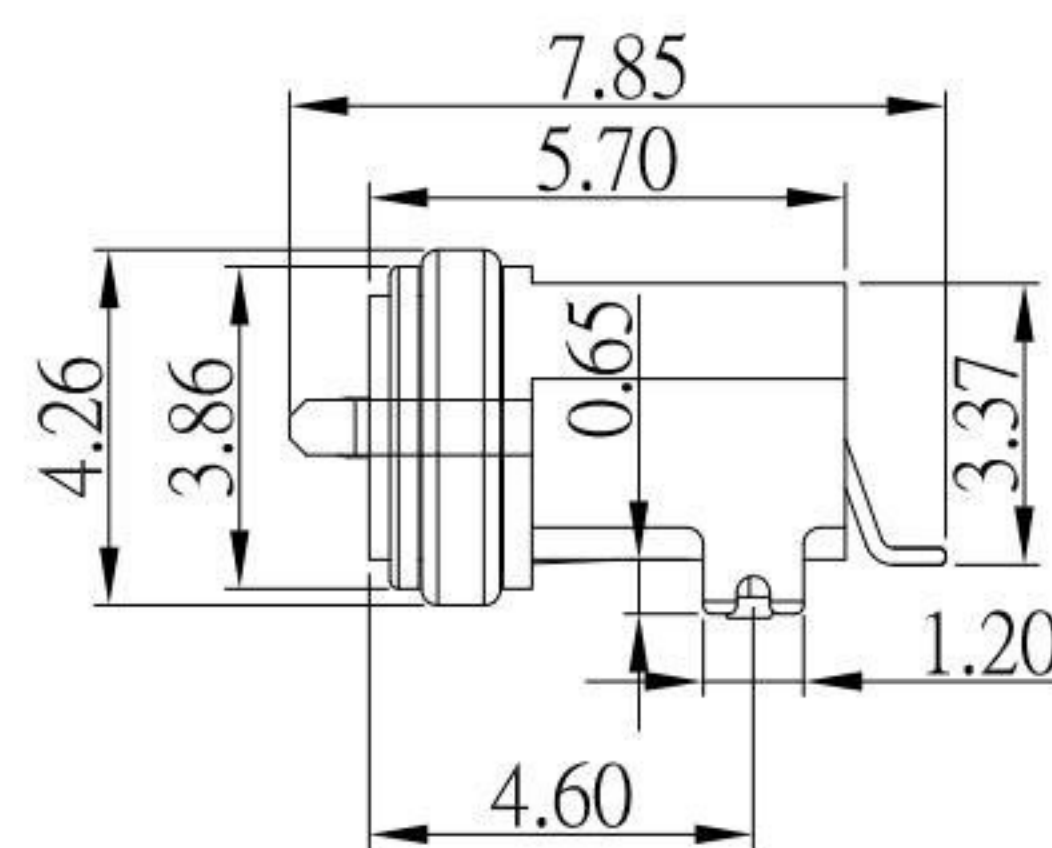
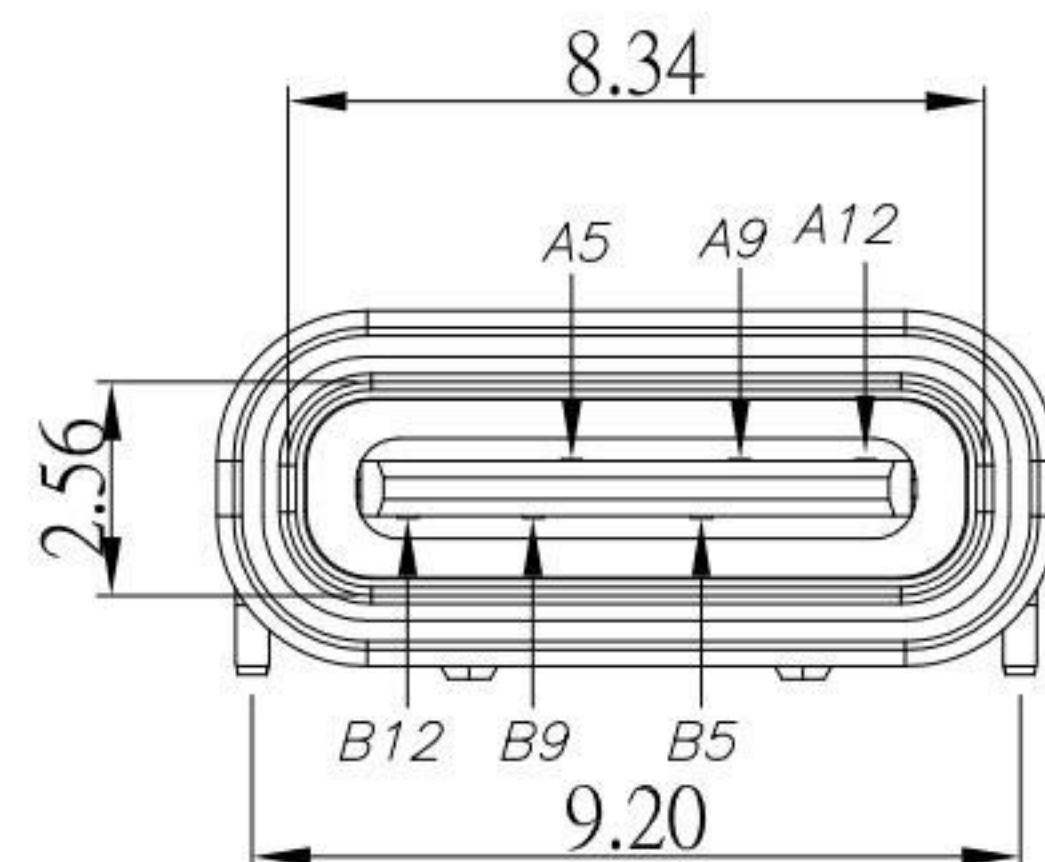
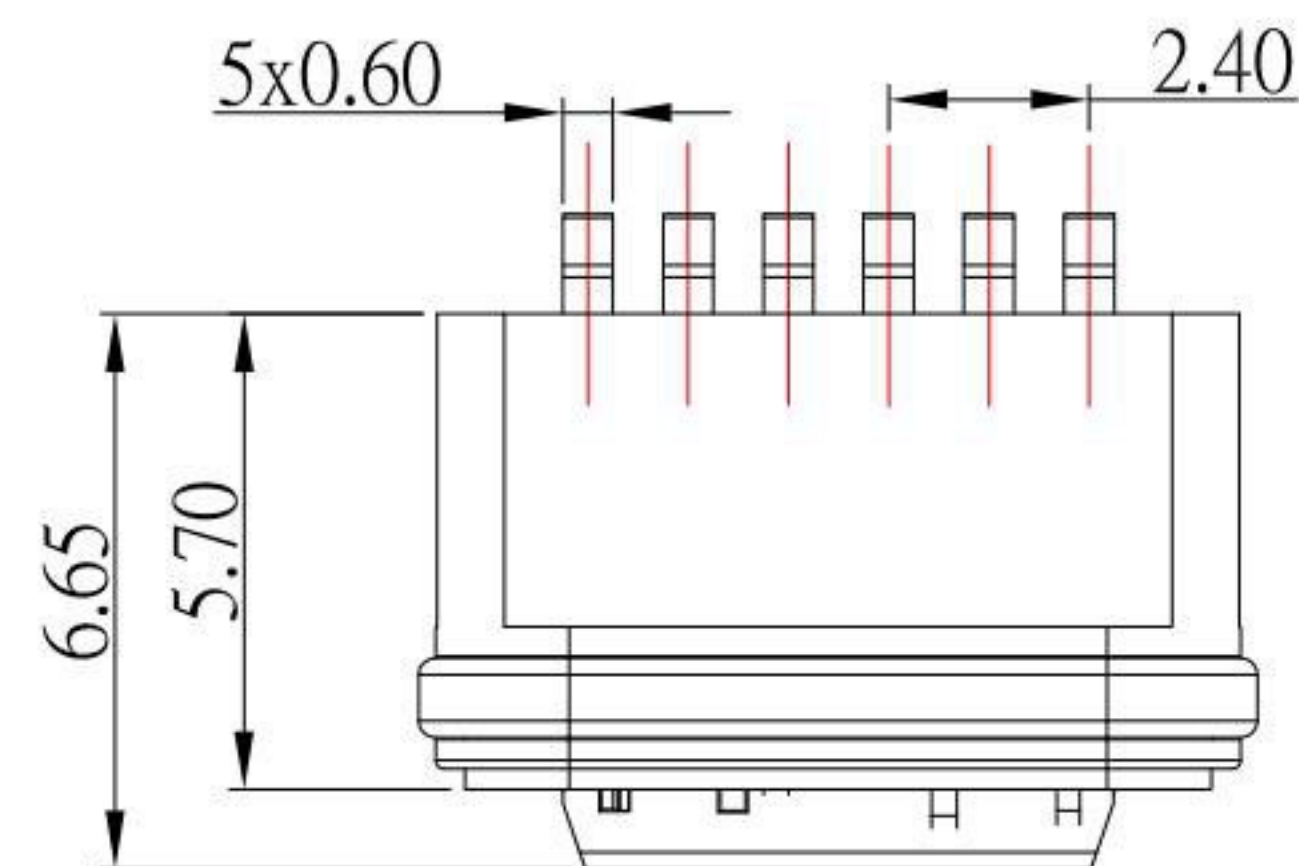
IPX7



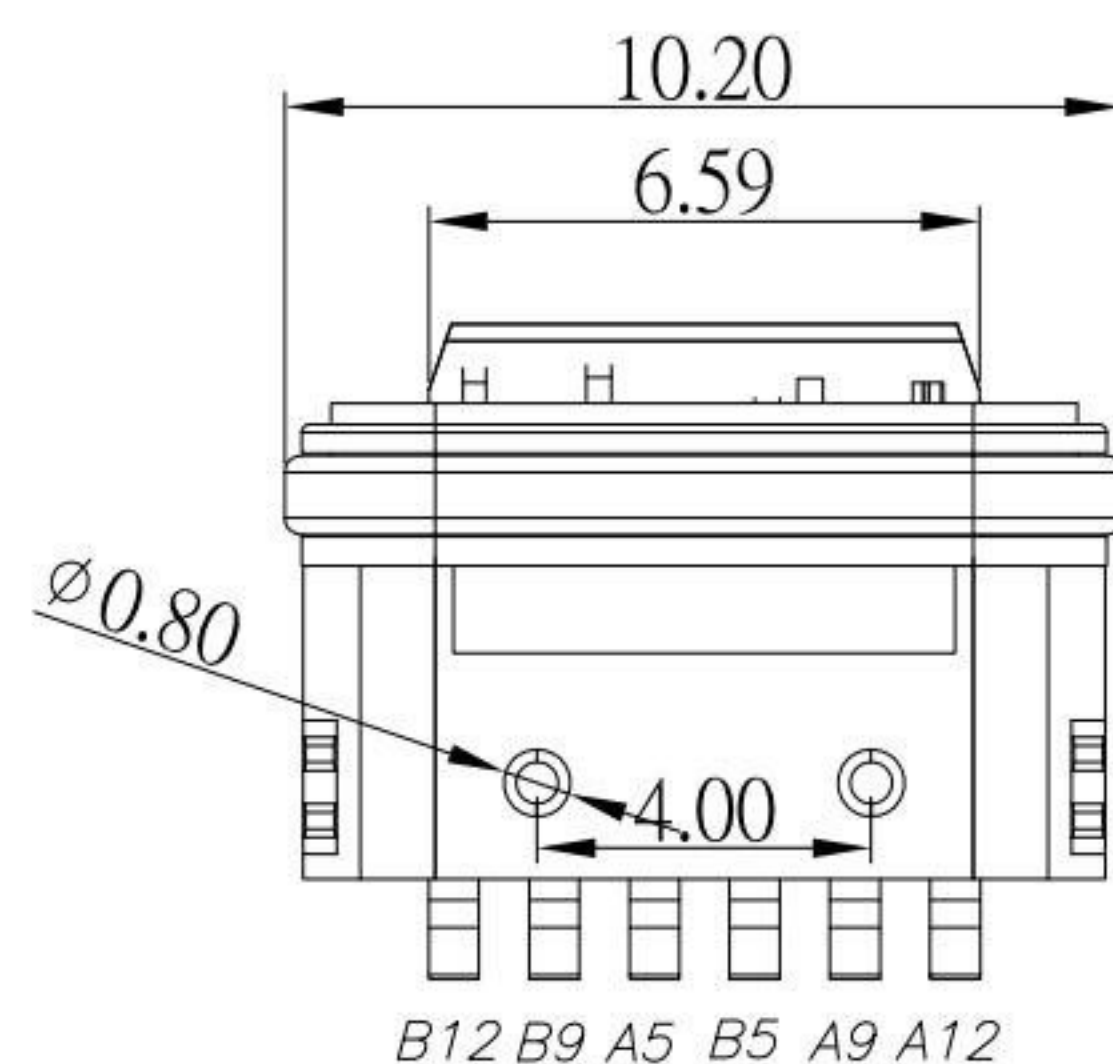
SBC-WP060S1-20x-S347

鍍層厚度:

| | |
|-------|--------|
| Blank | : 1u" |
| 2 | : 15u" |
| 3 | : 30u" |



P.C.B LAYOUT MOUNTING PATTERN



| | | | |
|-----|-------------|-----|-------------|
| A5 | CC1 | B12 | GND |
| A9 | VBUS | B9 | VBUS |
| A12 | GND | B5 | CC2 |
| PIN | SIGNAL NAME | PIN | SIGNAL NAME |

SPECIFICATIONS

Electrical:

1. Rating: 3.0A
2. Contact Resistance: 40 mΩ Max
3. Insulation Resistance: 100 MΩ Min
4. Dielectric Withstanding Voltage: 100V AC

Mechanical:

1. Connector Mate and Unmate Force
 - 1.1 Mate force: 5~20 N
 - 1.2 Unmate force: 8~20 N

Material:

1. Housing: LCP
2. Contact: Phosphor Bronze
3. Shell: Zinc Alloy
4. O-Ring: Epoxy

Finish:

1. Contact: Plated Gold in Mating Area ;
Gold Plated on Solder Balls ;
Nickel under plated overall
2. Shell: Nickel under Plated surface layer

| ITEM NO. | DESCRIPTION | DRAWN | DATE |
|----------|--------------------|-------|--------|
| 3 | 更新圖面 | Jack | 082222 |
| 2 | 更新接腳編號位置及名稱 | Jack | 051520 |
| 1 | 新增 PCB LAYOUT 接腳編號 | Jack | 031820 |

KSD 科斯达电子科技有限公司
 SWITCH CONNECTOR 全球互聯零組件製造企業
 KSD ELECTRONIC TECHNOLOGY Co., LTD

TOLERANCE UNLESS OTHERWISE STATED:

| | |
|---------------|-------|
| Up to 5 | ±0.2 |
| Above 5 ~ 15 | ±0.3 |
| Above 15 ~ 30 | ±0.4 |
| Above 30 ~ 50 | ±0.5 |
| Angle | ±0.3° |

3RD. ANGEL'S

UNITS: MM

| | | | | |
|--------------|----------|-----------|----------|---------------------------|
| DRAWN BY: | DATE | MAT'L | TITLE | CONNECTOR |
| Jack Lu | 08/22/22 | | | |
| CHECKED BY: | DATE | FINISH | MODLE | USB C TYPE 2.0 Female 防水型 |
| Jacky Chen | 08/22/22 | | | |
| APPROVED BY: | DATE | SCALE | DWG NO. | SBC-WP060S1-20x-S347 |
| Tony Kao | 08/22/22 | 1:1 | | |
| | | SHEET NO. | PART NO. | SBC-WP060S1-20x-S347 |
| | | 1 of 1 | | |
| | | | SIZE | A4 |
| | | | VER | R3 |