

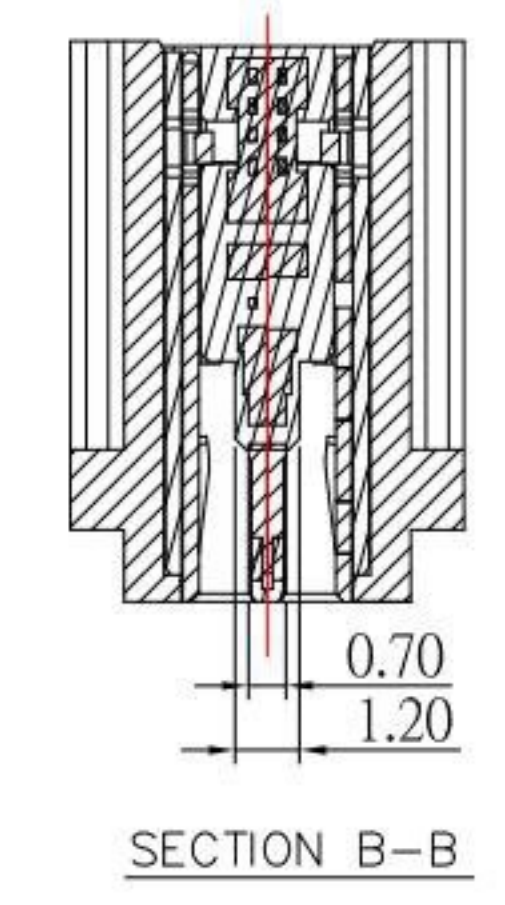
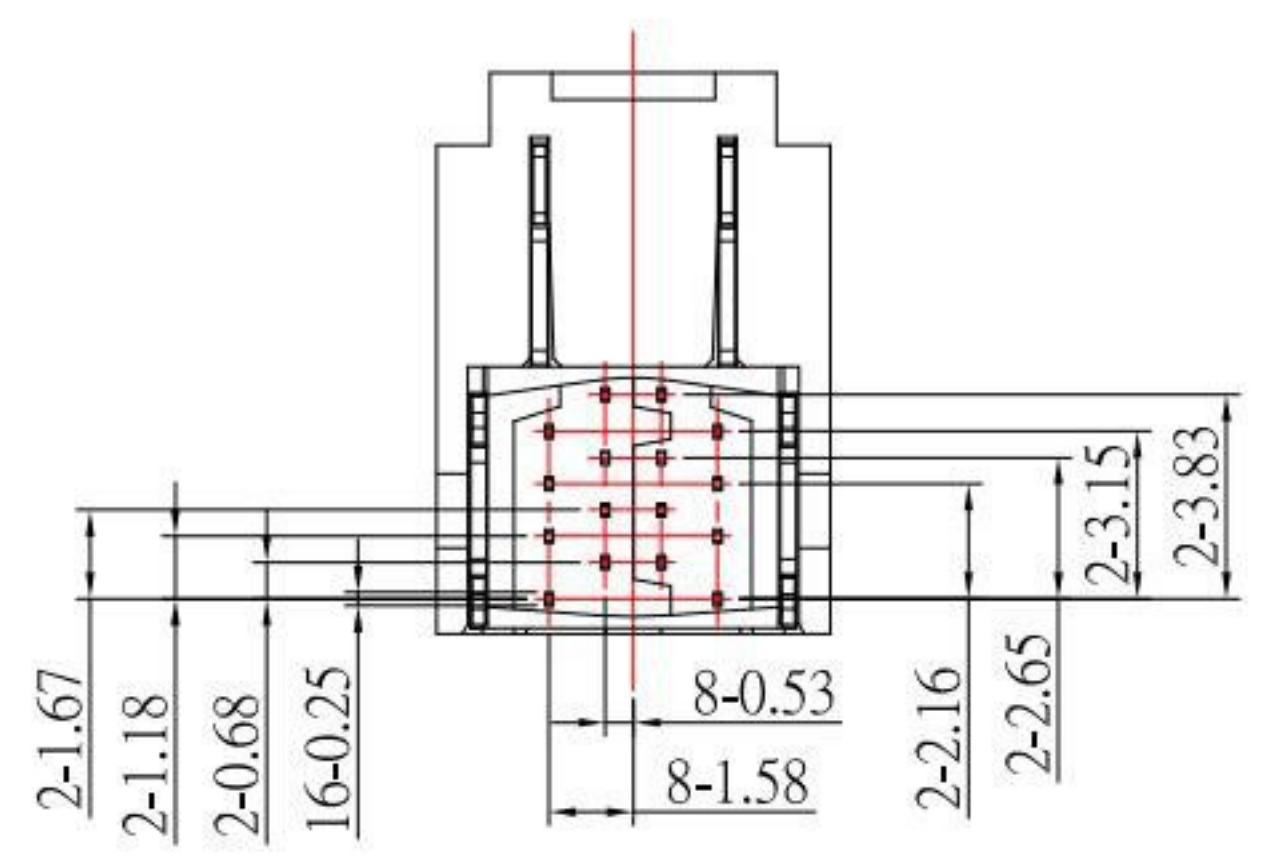
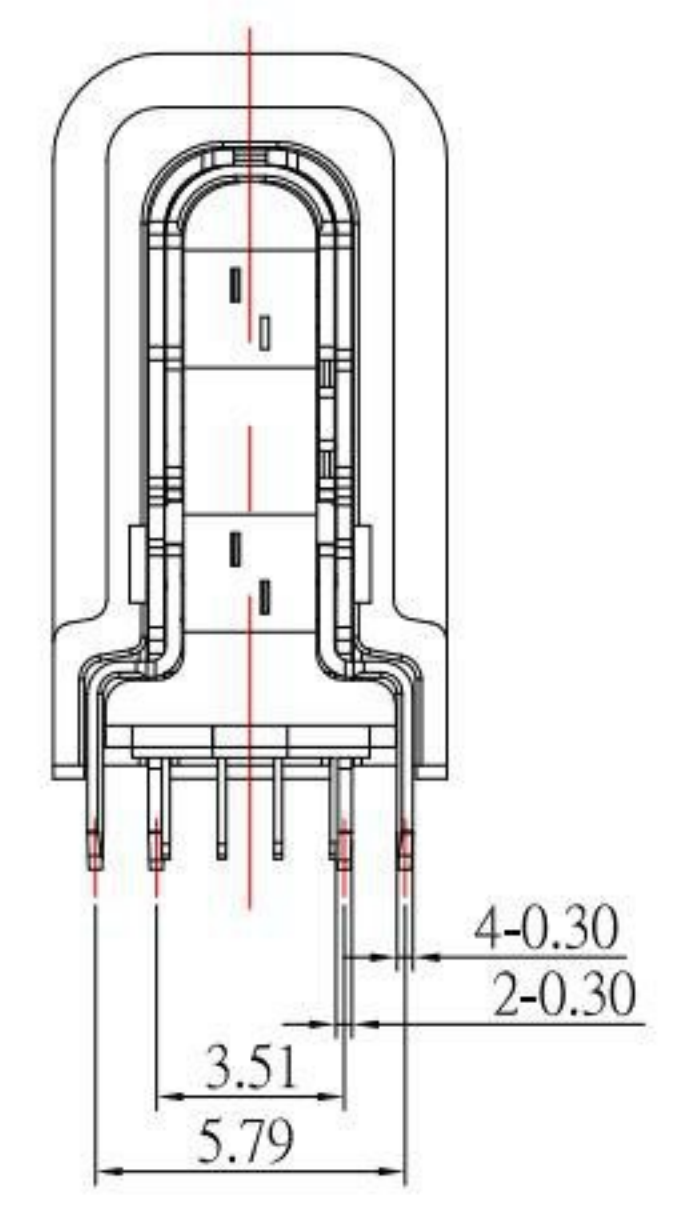
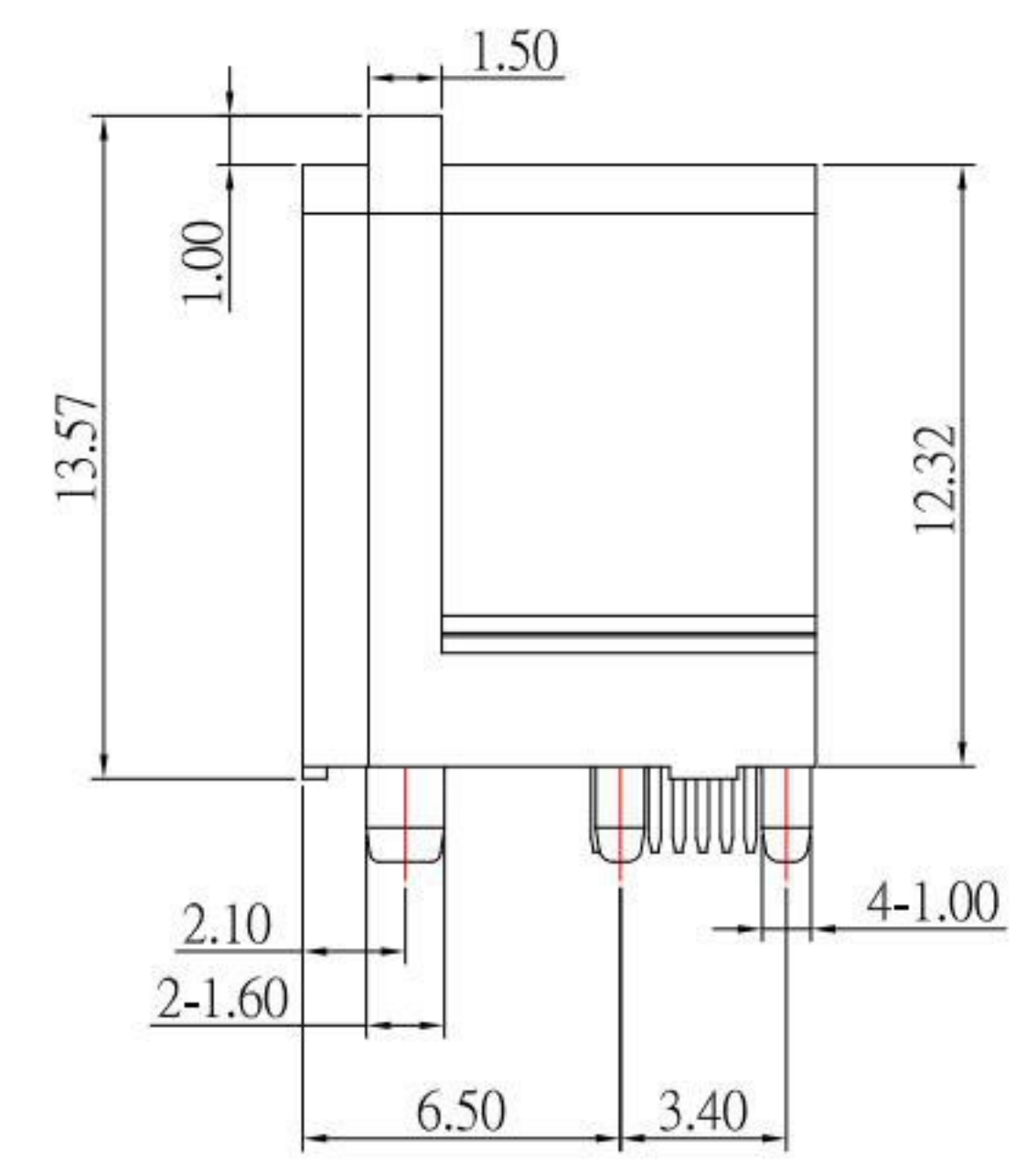
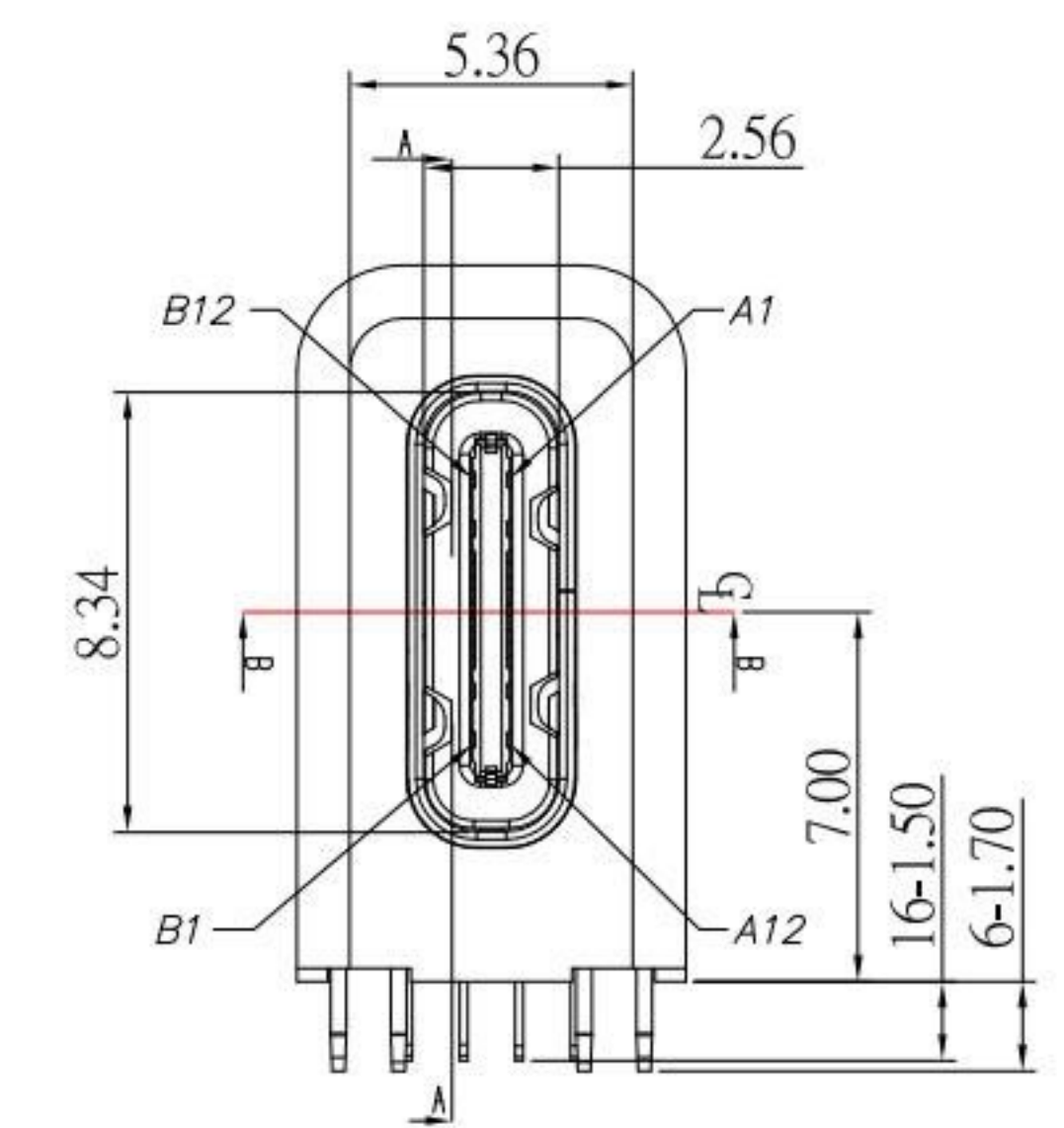
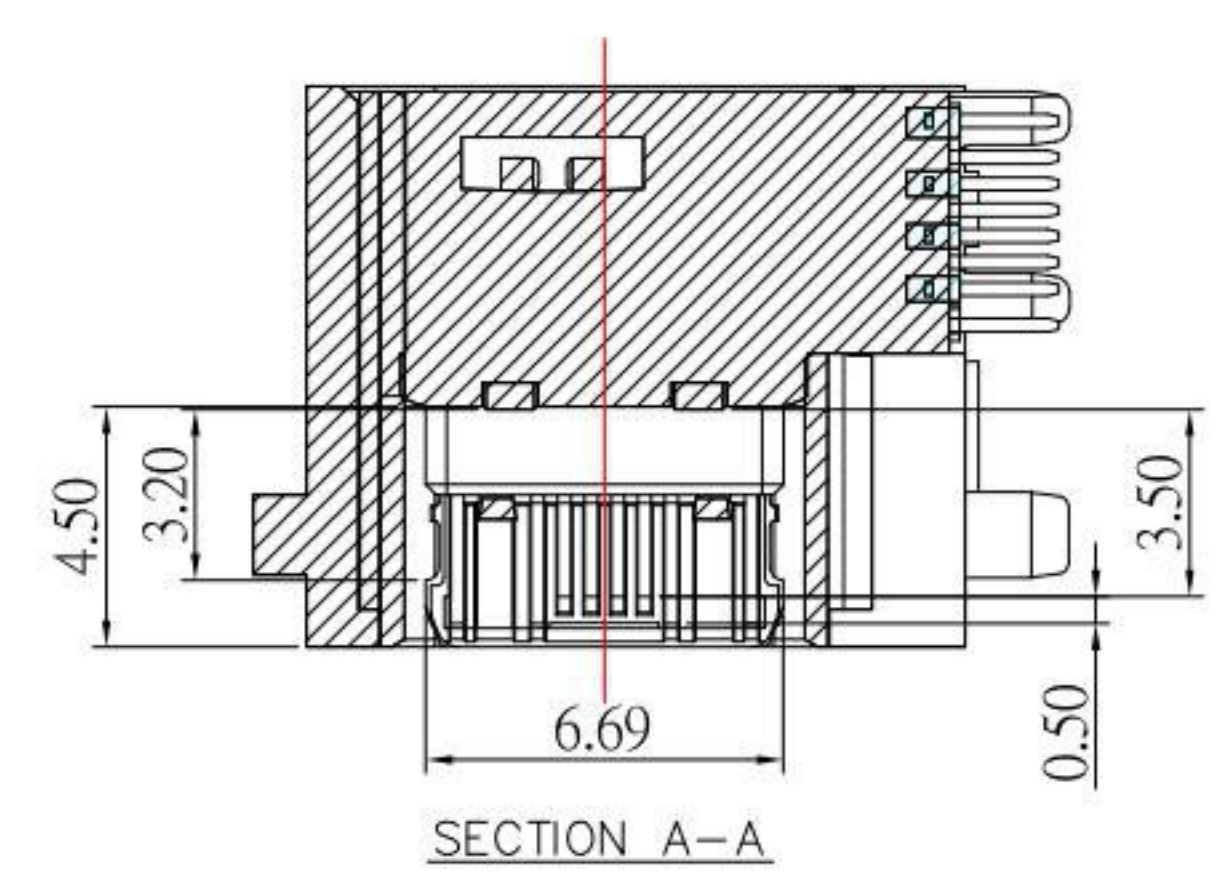
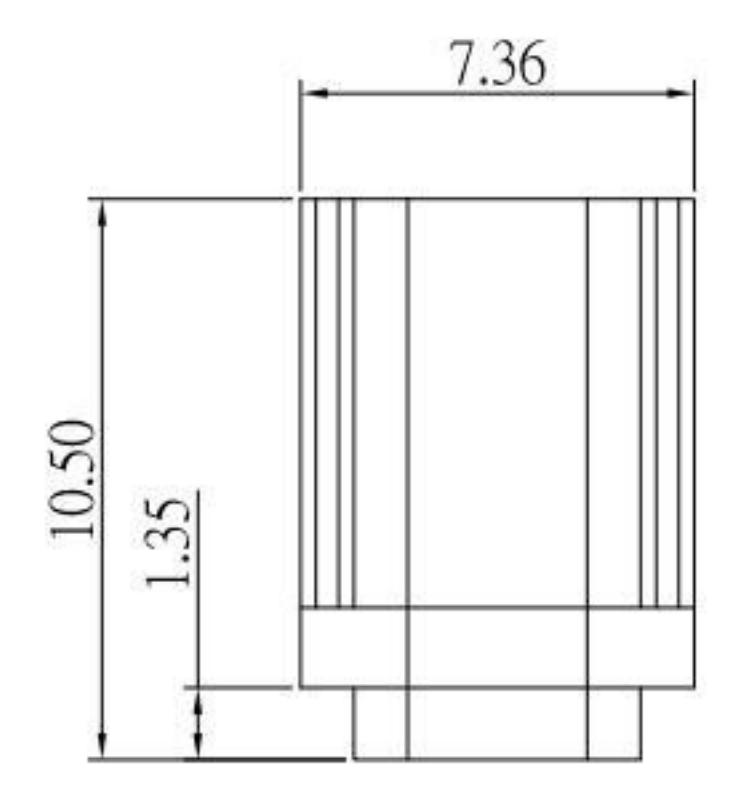
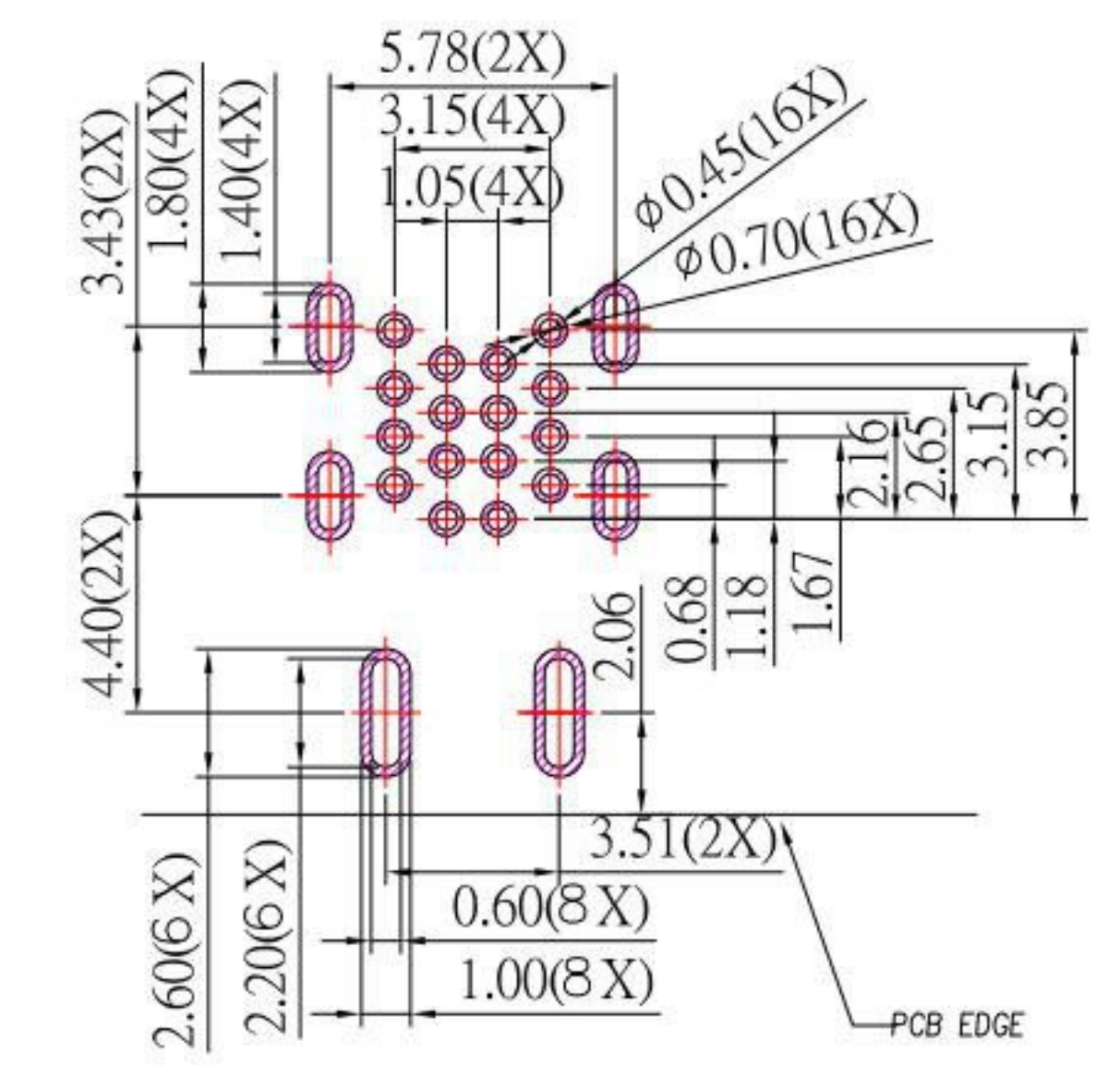
IPX7



SBC-WP160P-20x-S165

鍍層厚度:

Blank	1u"
2	15u"
3	30u"



PIN ASSIGNMENT

A1	A2	A3	A4	A5	A6	A7	A8	A9	A10	A11	A12
GND	\	\	VBUS	CC1	Dp1	Dn1	SBU1	VBUS	\	\	GND
GND	\	\	VBUS	SBU2	Dn2	Dp2	CC2	VBUS	\	\	GND
B12	B11	B10	B9	B8	B7	B6	B5	B4	B3	B2	B1

SPECIFICATIONS

Electrical:

1. Rating: 20 V , 3.0 A
2. Contact Resistance: 40 mΩ Max
3. Insulation Resistance: 100 MΩ Min

Mechanical:

1. Connector Mate and Unmate Force
 - 1.1 Mate force: 5~20 N
 - 1.2 Unmate force: 8~20 N

Material:

1. Housing: LCP
2. Contact: Copper Alloy
3. Shell: SUS

Finish:

1. Contact: Plated Gold in Mating Area ;
Gold Plated on Solder Balls ;
Nickel under plated overall
2. Shell: Nickel under Plated surface layer

KSD 科斯达电子科技有限公司
 SWITCH CONNECTOR KSD ELECTRONIC TECHNOLOGY Co., LTD
 全球 互聯零組件製造企業

TOLERANCE UNLESS OTHERWISE STATED:

Up to 5	±0.2
Above 5 ~ 15	±0.3
Above 15 ~ 30	±0.4
Above 30 ~ 50	±0.5
Angle	±0.3°

3RD. ANGEL'S

DRAWN BY:	DATE	MAT'L	TITLE	CONNECTOR
Jack Lu	06/15/21			
CHECKED BY:	DATE	FINISH	MODLE	USB C TYPE 2.0 側插母座 防水型IPX7
Jacky Chen	06/15/21			
APPROVED BY:	DATE	SCALE	DWG NO.	SBC-WP160P-20x-S165
Tony Kao	06/15/21	1 : 1		
SHEET NO.	1 of 1	PART NO.	SBC-WP160P-20x-S165	SIZE A4
				VER R

ITEM NO.	DESCRIPTION	DRAWN	DATE