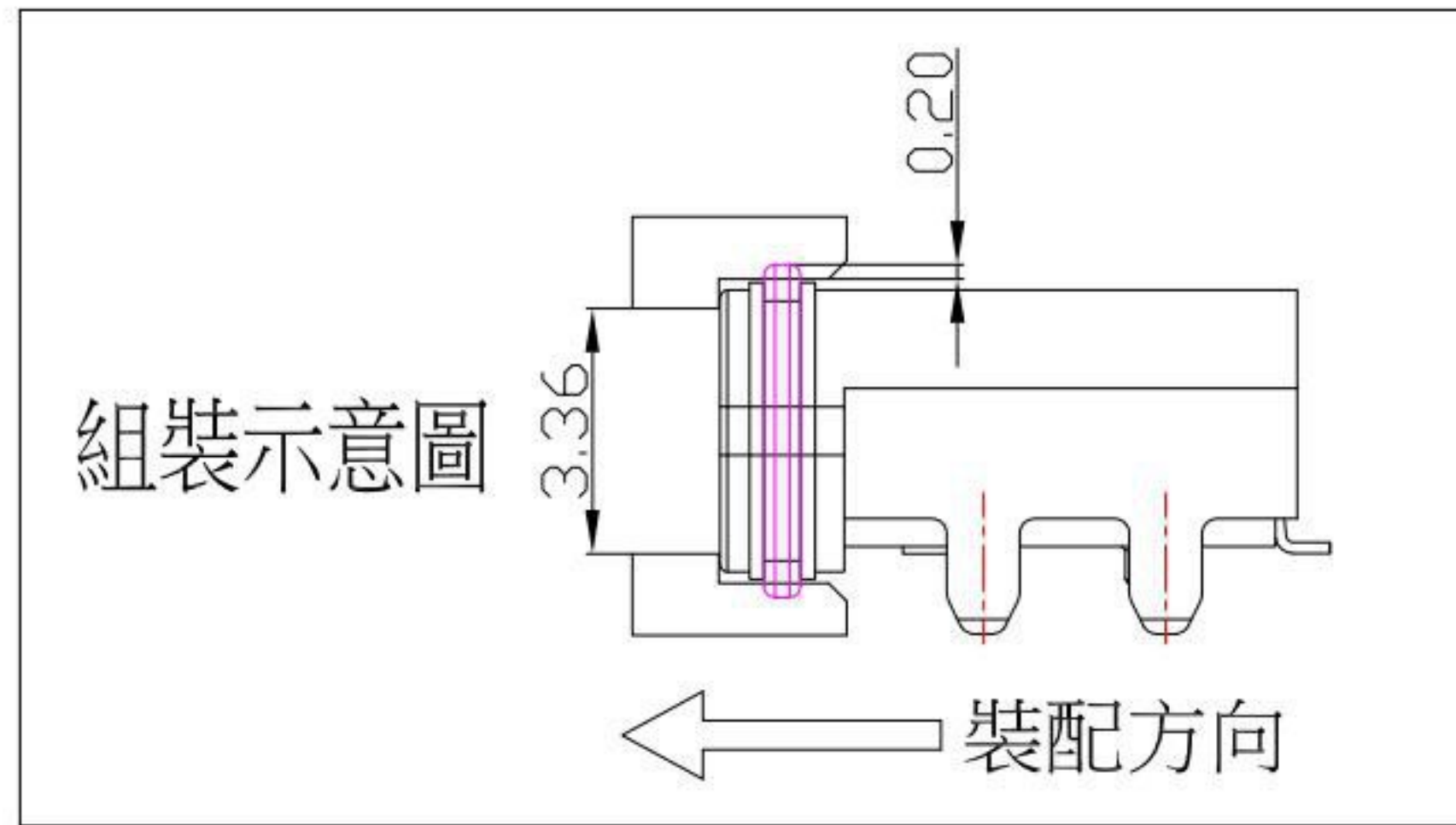


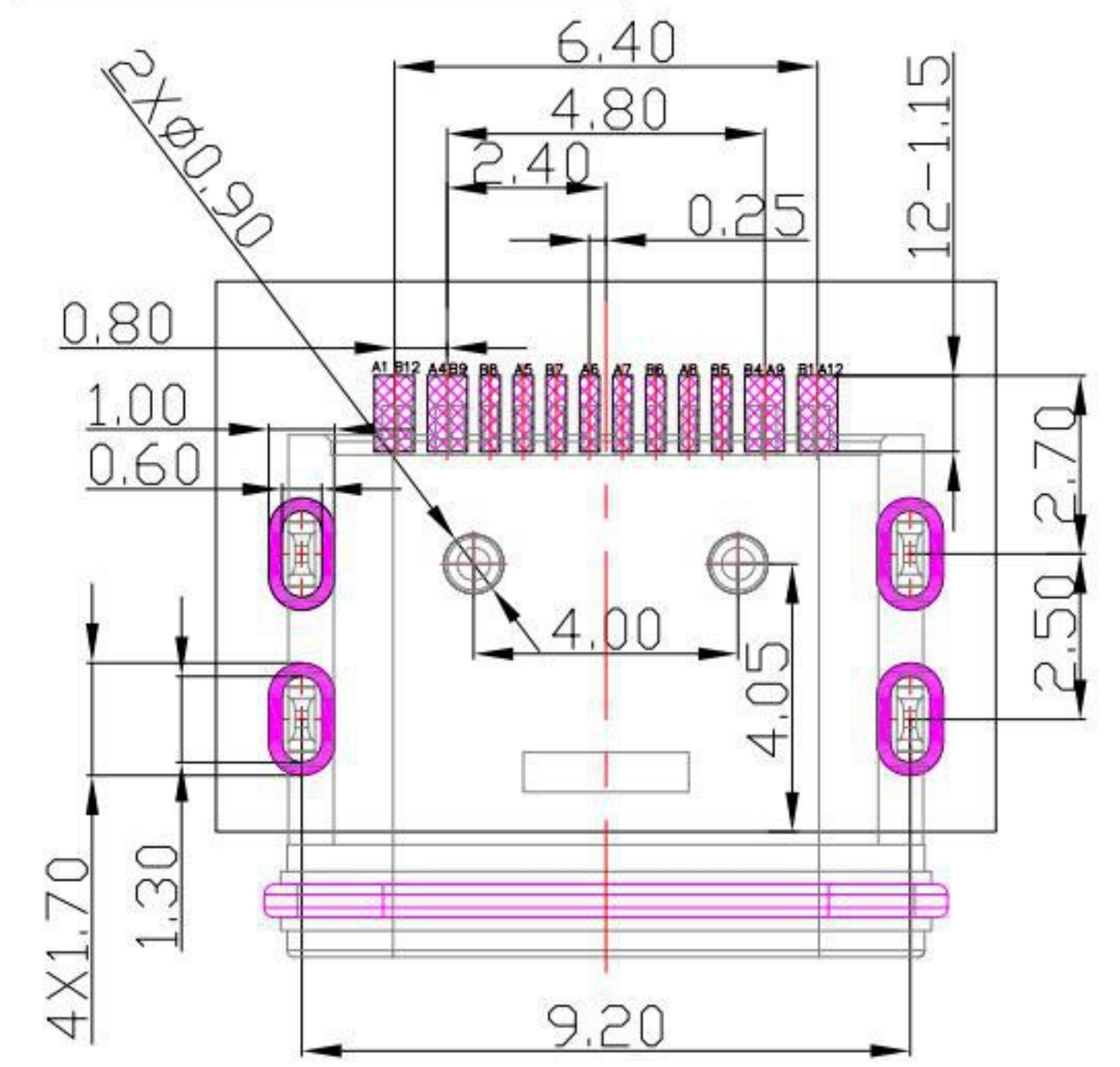
# SBC-WP160S2-20x-S412

鍍層厚度：

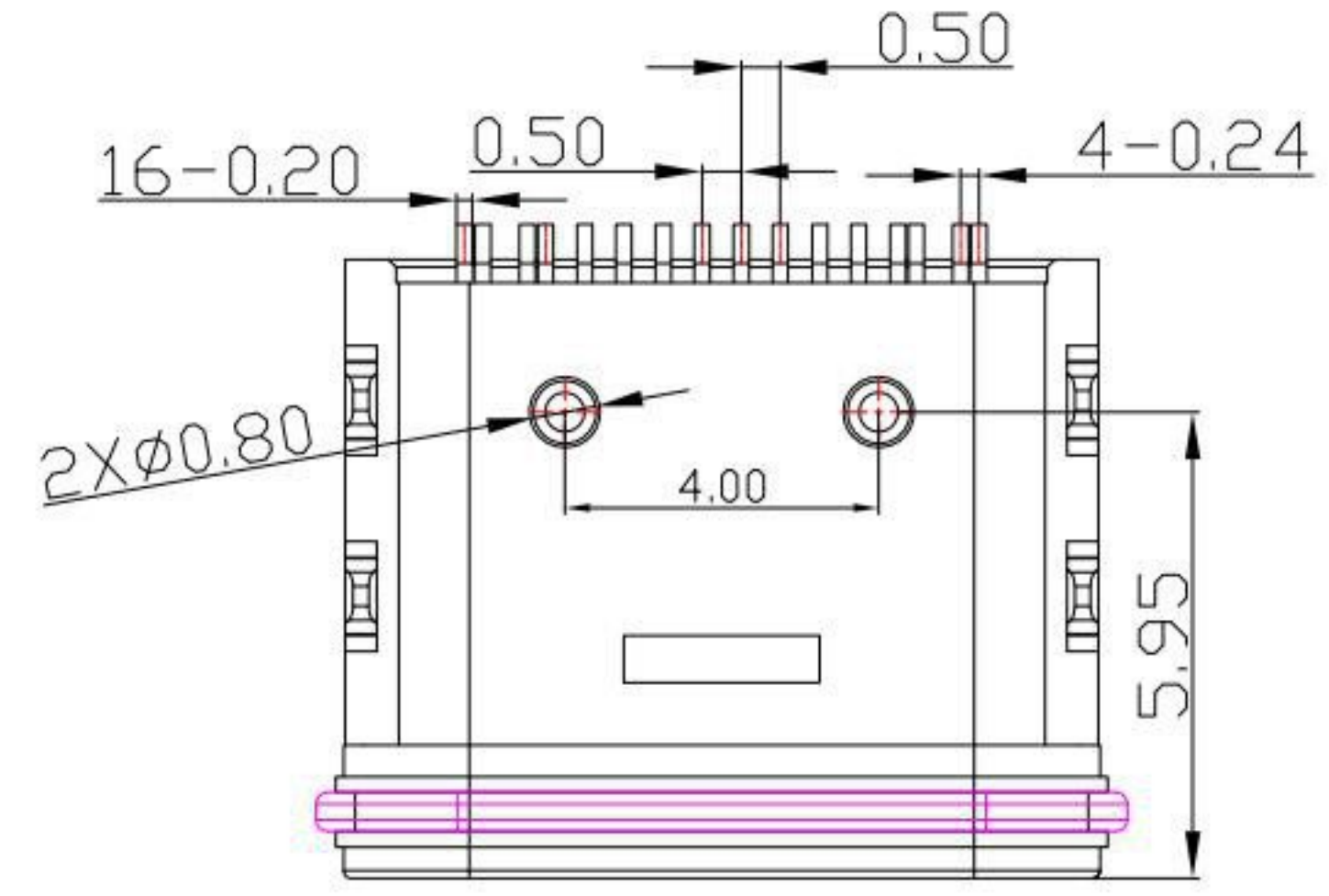
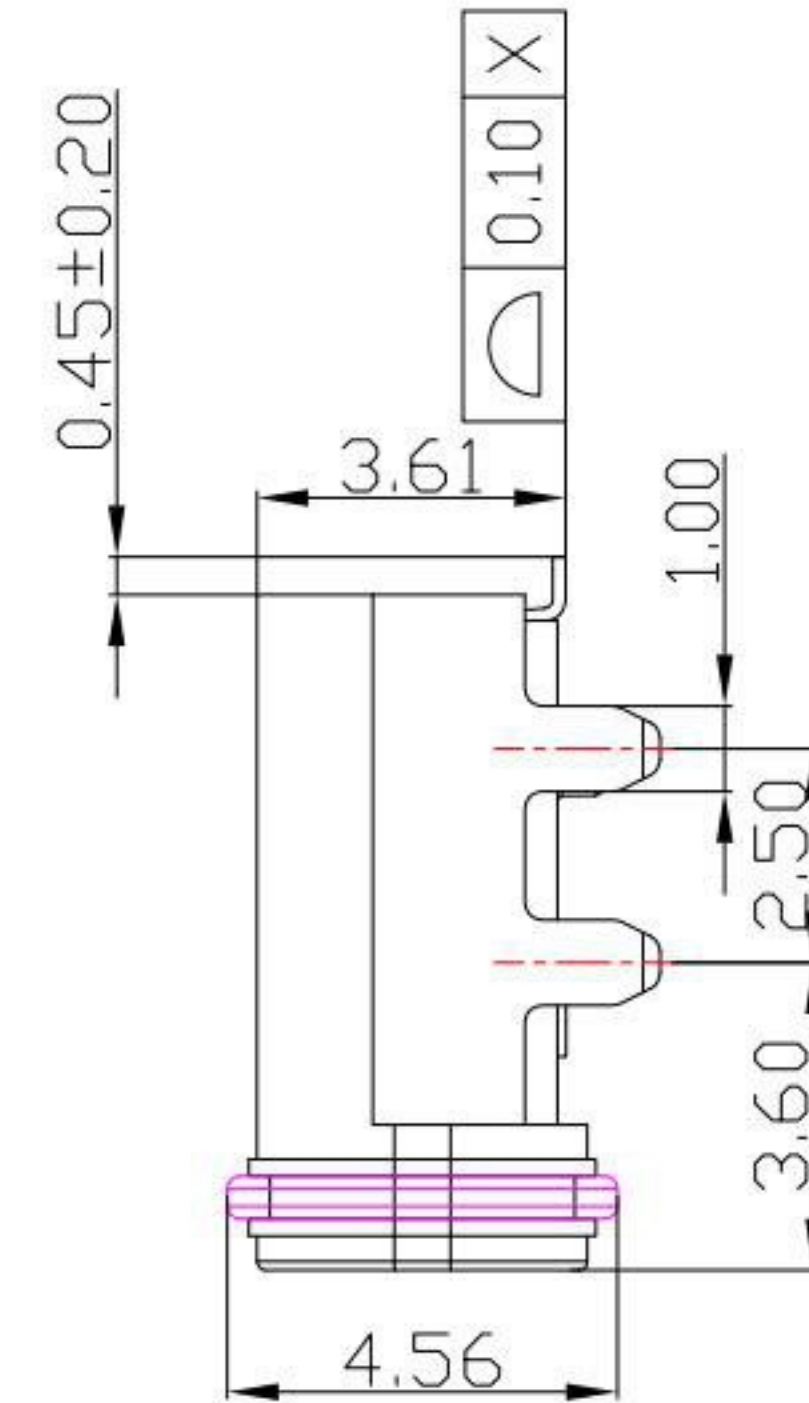
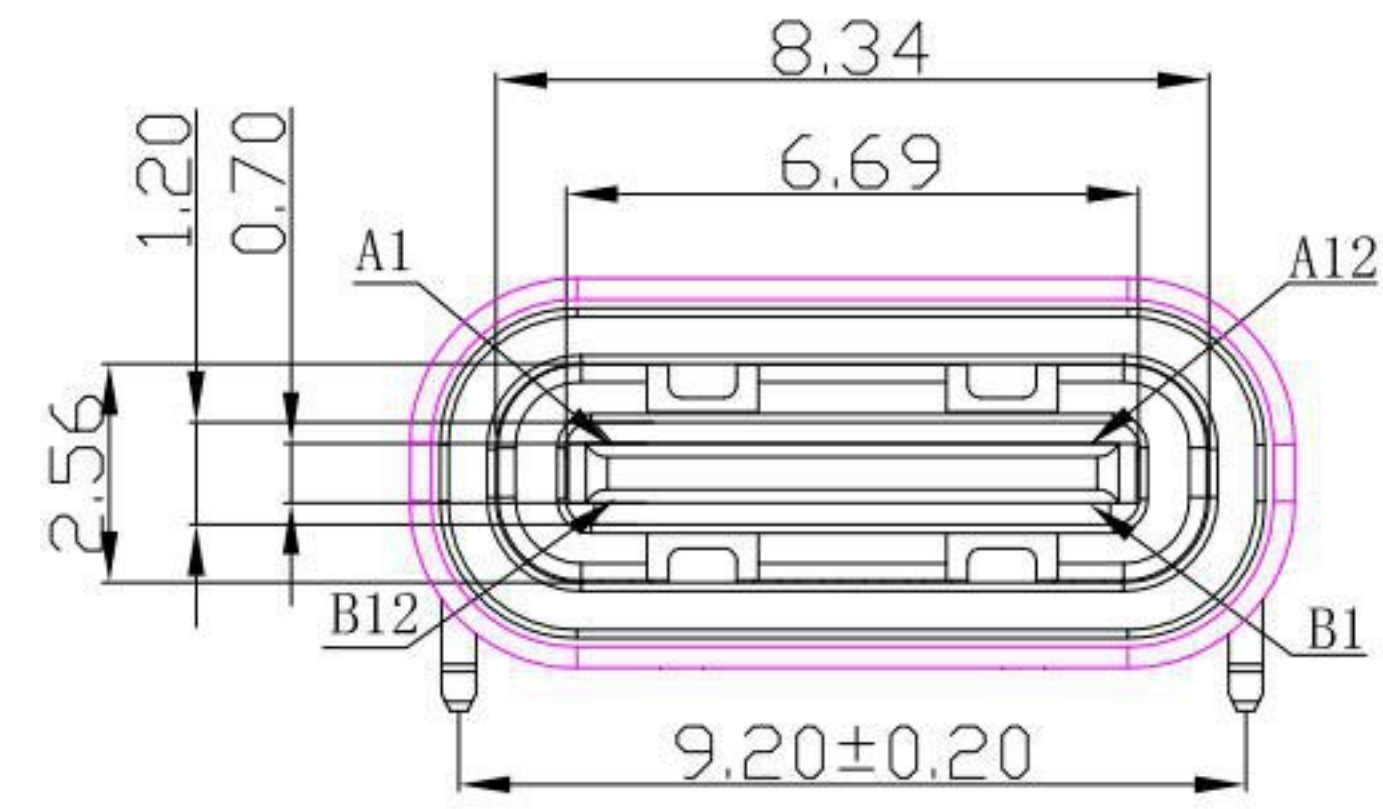
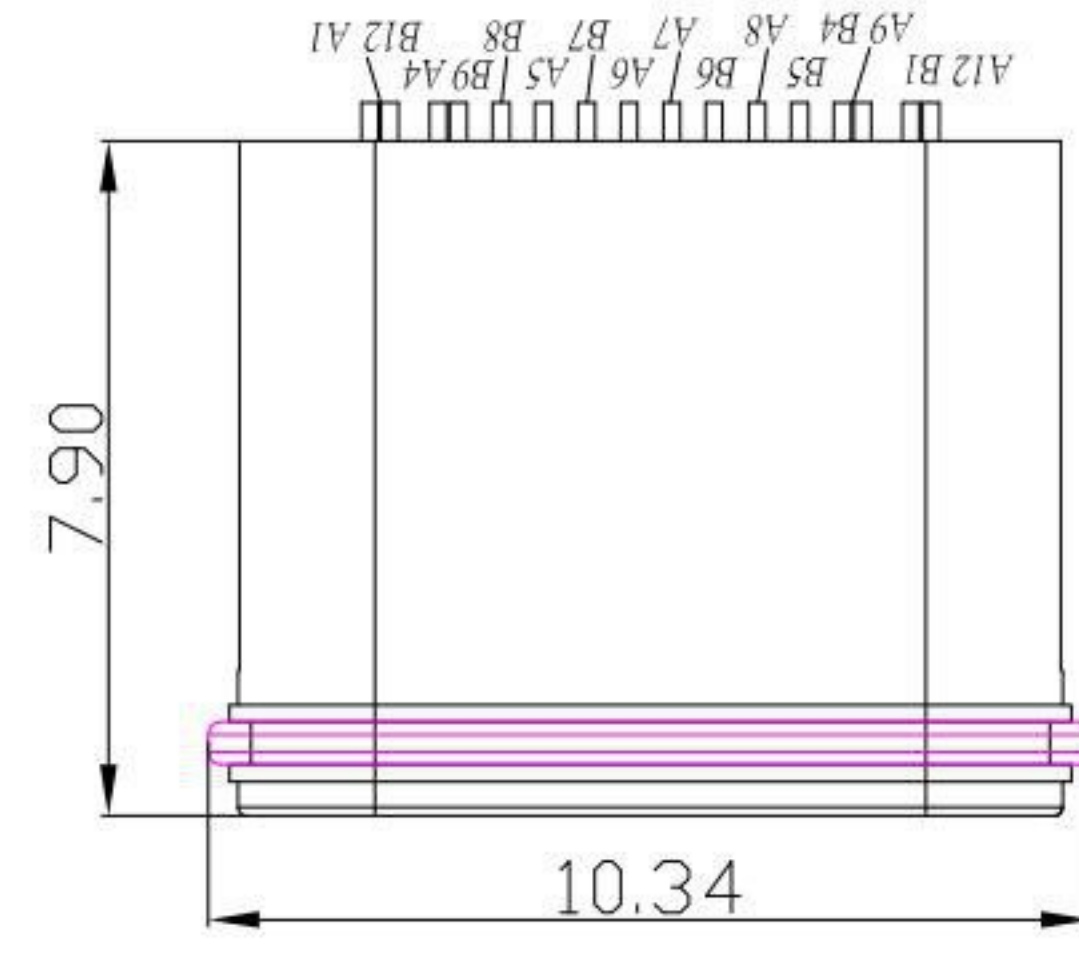
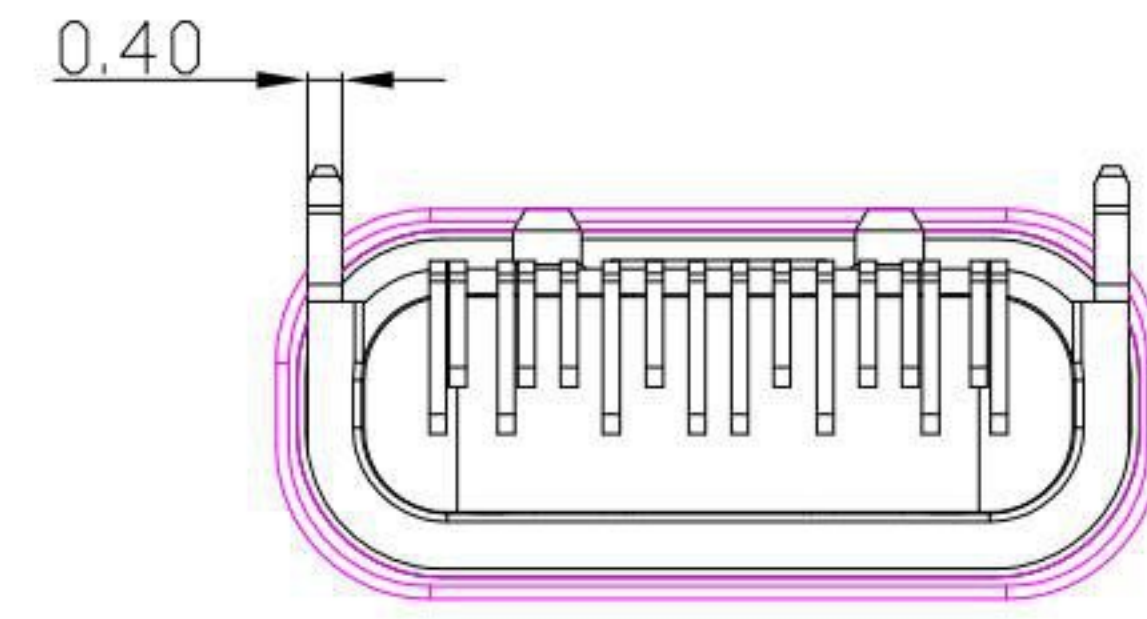
Blank	: 1u"
2	: 15u"
3	: 30u"



# IPX7



RECOMMENDED PCB LAYOUT



A1	GND	B12	GND
A4	VBUS	B9	VBUS
A5	CC1	B8	SBU2
A6	D+	B7	D-
A7	D-	B6	D+
A8	SBU1	B5	CC2
A9	VBUS	B4	VBUS
A12	GND	B1	GND
PIN	SIGNAL NAME	PIN	SIGNAL NAME

## SPECIFICATIONS

### Electrical:

1. Rating: 100V AC , 5.0 A
2. Contact Resistance: 40 mΩ Max
3. Insulation Resistance: 100 MΩ Min

### Mechanical:

1. Connector Mate and Unmate Force
  - 1.1 Mate force: 5~20 N
  - 1.2 Unmate force: 8~20 N

### Material:

1. Housing: LCP
2. Contact: C7025
3. Shell: SUS

### Finish:

1. Contact: Plated Gold in Mating Area ;  
Tin Plated on Solder Balls ;  
Nickel under plated overall
2. Shell: Nickel under Plated surface layer

**KSD** 科斯达电子科技有限公司  
 SWITCH CONNECTOR KSD ELECTRONIC TECHNOLOGY Co., LTD  
 全球 互聯零組件製造企業

TOLERANCE UNLESS OTHERWISE STATED:	Up to 5 ±0.2	3RD. ANGEL'S	UNITS	MM
	Above 5 ~ 15 ±0.3			
	Above 15 ~ 30 ±0.4			
	Above 30 ~ 50 ±0.5			
	Angle ±0.3°			

DRAWN BY:	DATE	MAT'L	TITLE	CONNECTOR
Jack Lu	11/15/22		MODLE	USB C TYPE 2.0 Female 防水型 防水型IPX7
CHECKED BY:	DATE	FINISH	DWG NO.	SBC-WP160S2-20x-S412
Jacky Chen	11/15/22		PART NO.	SBC-WP160S2-20x-S412
APPROVED BY:	DATE	SCALE	SHEET NO.	1 of 1
Tony Kao	11/15/22	1 : 1		

ITEM NO.	DESCRIPTION	DRAWN	DATE