

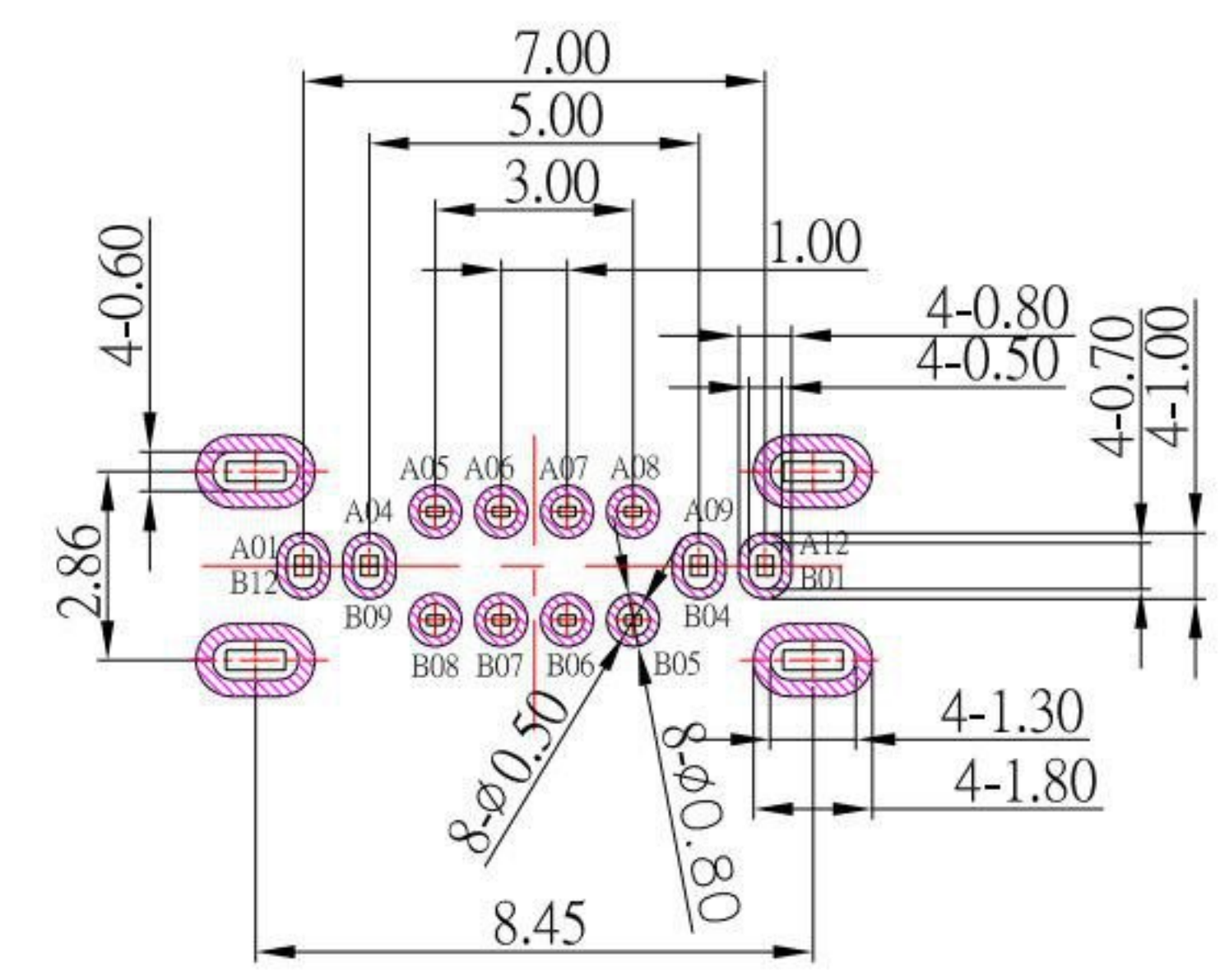
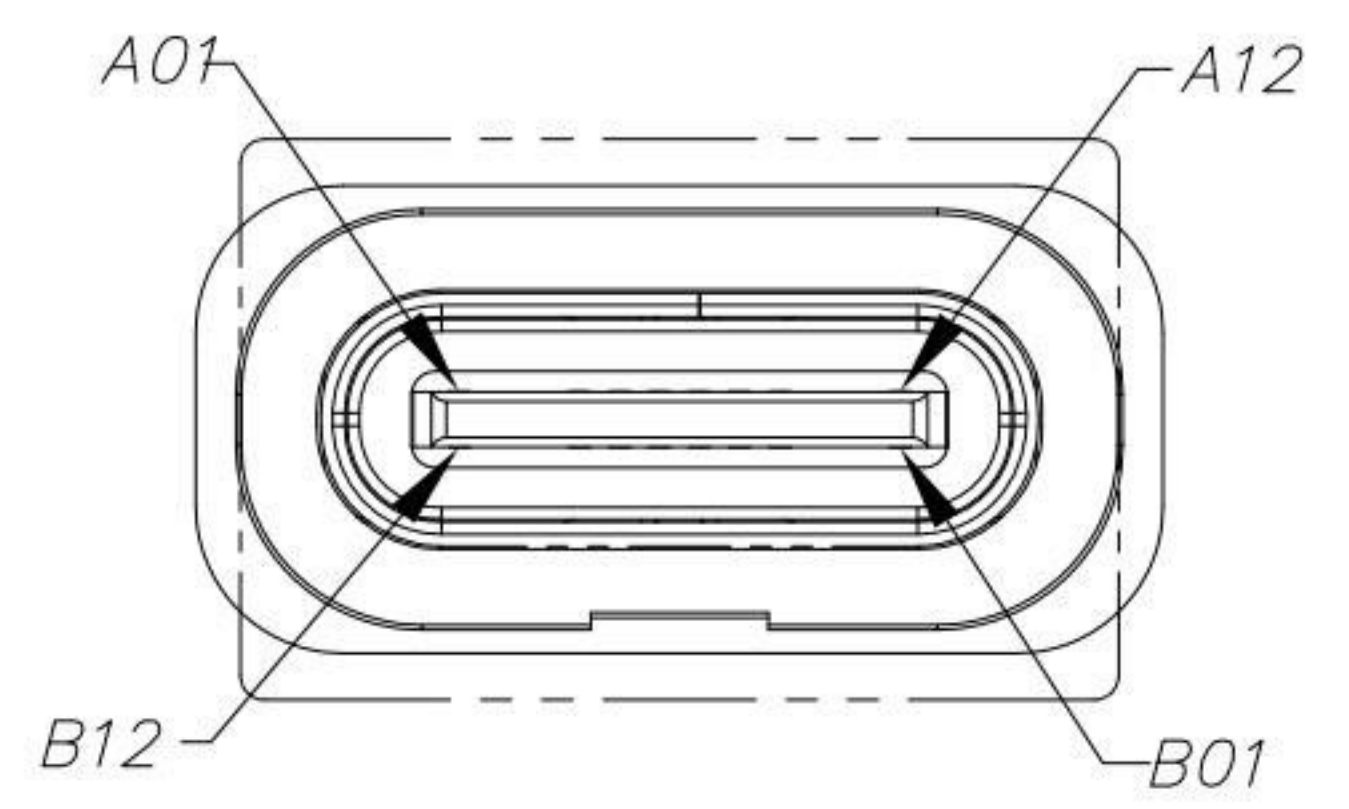
# IPX7



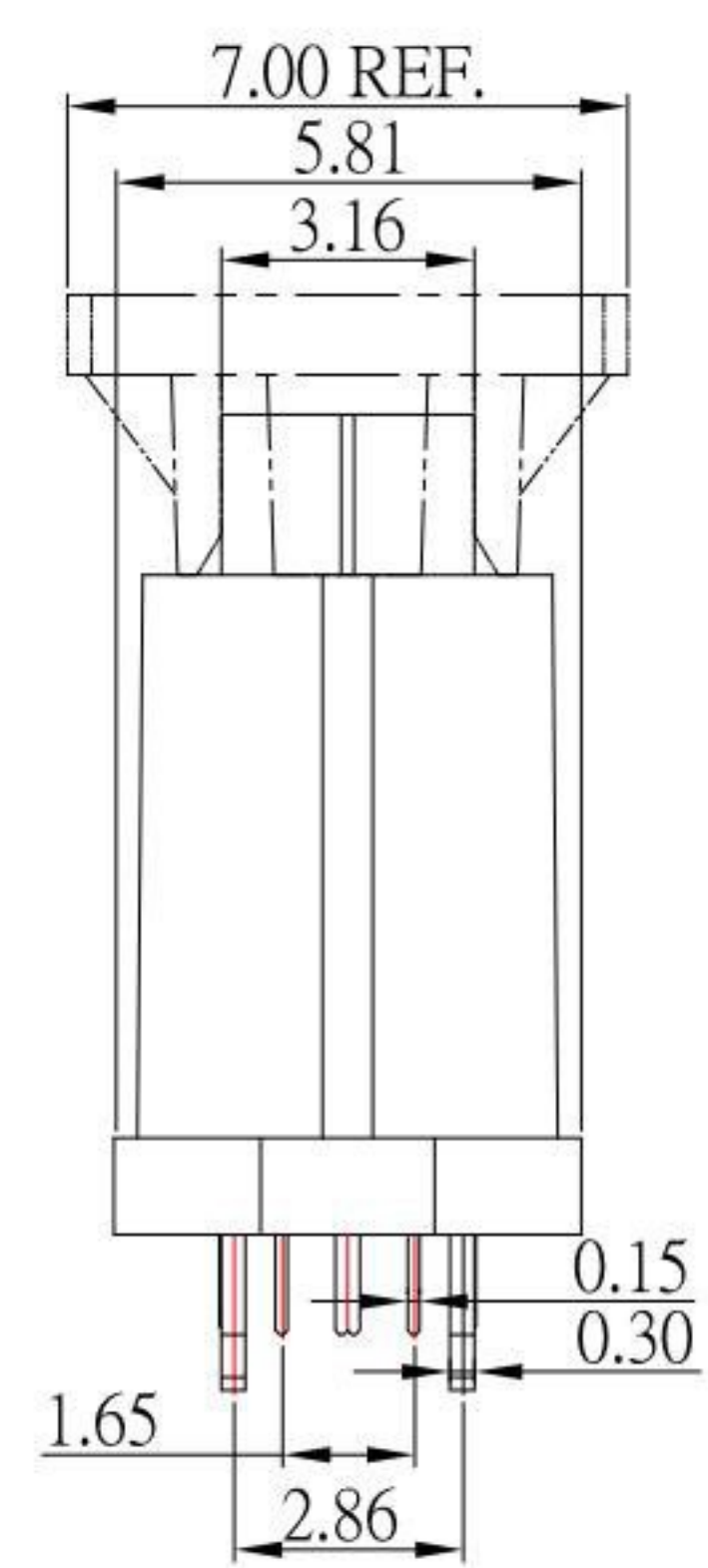
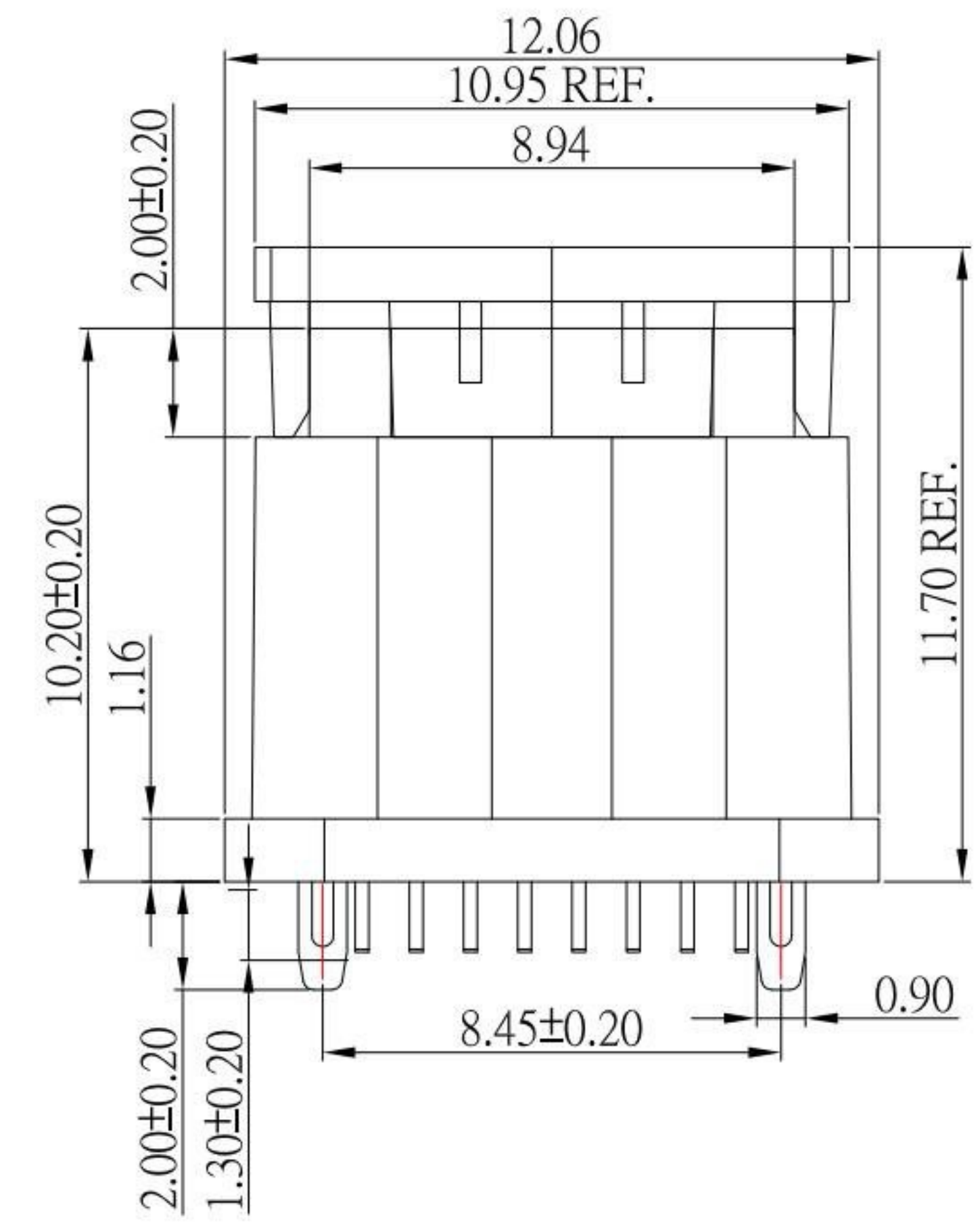
## SBC-WP160V2-20x-S412

鍍層厚度:

Blank : 1u"
2 : 15u"
3 : 30u"



RECOMMENDED PCB LAYOUT



A1	GND	B12	GND
A4	VBUS	B9	VBUS
A5	CC1	B8	SBU2
A6	D+	B7	D-
A7	D-	B6	D+
A8	SBU1	B5	CC2
A9	VBUS	B4	VBUS
A12	GND	B1	GND
PIN	SIGNAL NAME	PIN	SIGNAL NAME

### SPECIFICATIONS

#### Electrical:

- 1.Rating: 5.0V , 3.0 A
- 2.Contact Resistance: 40 mΩ Max
- 3.Insulation Resistance: 100 MΩ Min

#### Mechanical:

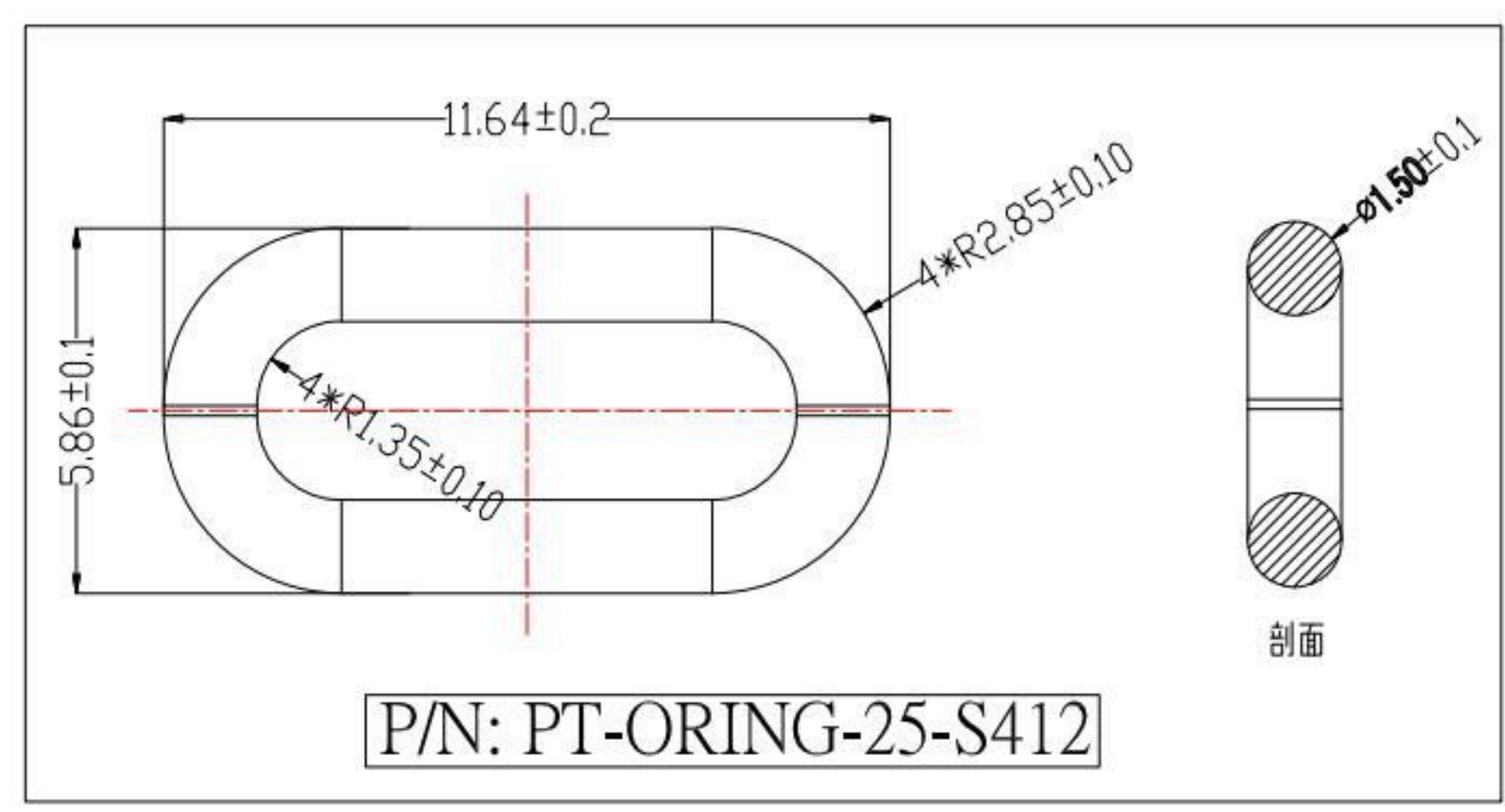
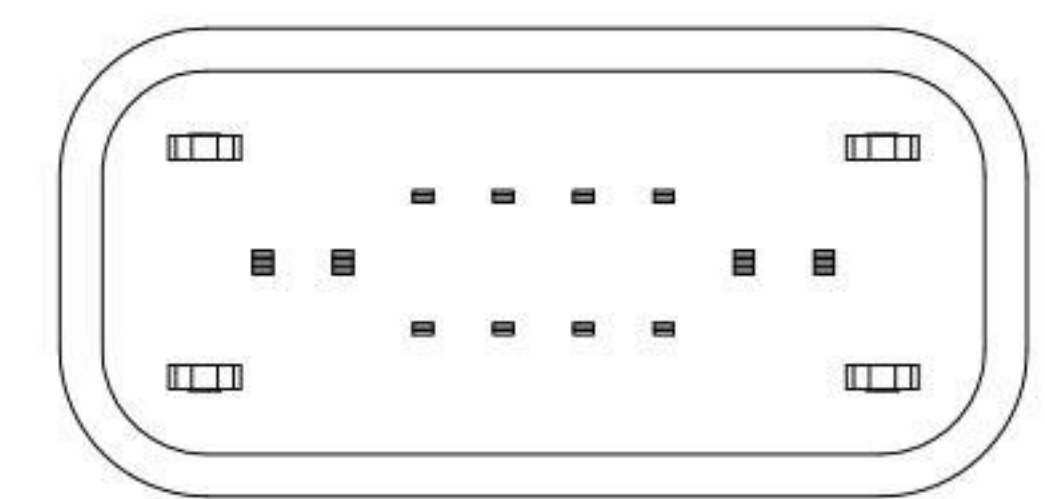
- 1.Connector Mate and Unmate Force
  - 1.1 Mate force: 5~20 N
  - 1.2 Unmate force: 8~20 N

#### Material:

- 1.Housing: LCP
- 2.Contact: C7025
- 3.Shell: SUS

#### Finish:

- 1.Contact: Plated Gold in Mating Area ;  
Gold Plated on Solder Balls ;  
Nickel under plated overall
- 2.Shell: Nickel under Plated surface layer



P/N: PT-ORING-25-S412

**KSD** 科斯达电子科技有限公司  
 SWITCH CONNECTOR 全球 互联零组件制造企业  
**KSD ELECTRONIC TECHNOLOGY Co., LTD**

TOLERANCE UNLESS OTHERWISE STATED:	Up to 5 ±0.2	Above 5 ~ 15 ±0.3	Above 15 ~ 30 ±0.4	Above 30 ~ 50 ±0.5	Angle ±0.3°
	3RD. ANGEL'S	UNITS	MM		

DRAWN BY:	DATE
Jack Lu	08/03/22
CHECKED BY:	DATE
Jacky Chen	08/03/22
APPROVED BY:	DATE
Tony Kao	08/03/22

MAT'L	TITLE	CONNECTOR
FINISH	MODLE	USB C TYPE 180度 2.0 Female H10.2 防水型IPX7
SCALE	DWG NO.	SBC-WP160V2-20x-S412
SHEET NO.	PART NO.	SBC-WP160V2-20x-S412
	SIZE	A4
	VER	R1

1	新增O-RING圖示	Jack	080322
ITEM NO.	DESCRIPTION	DRAWN	DATE