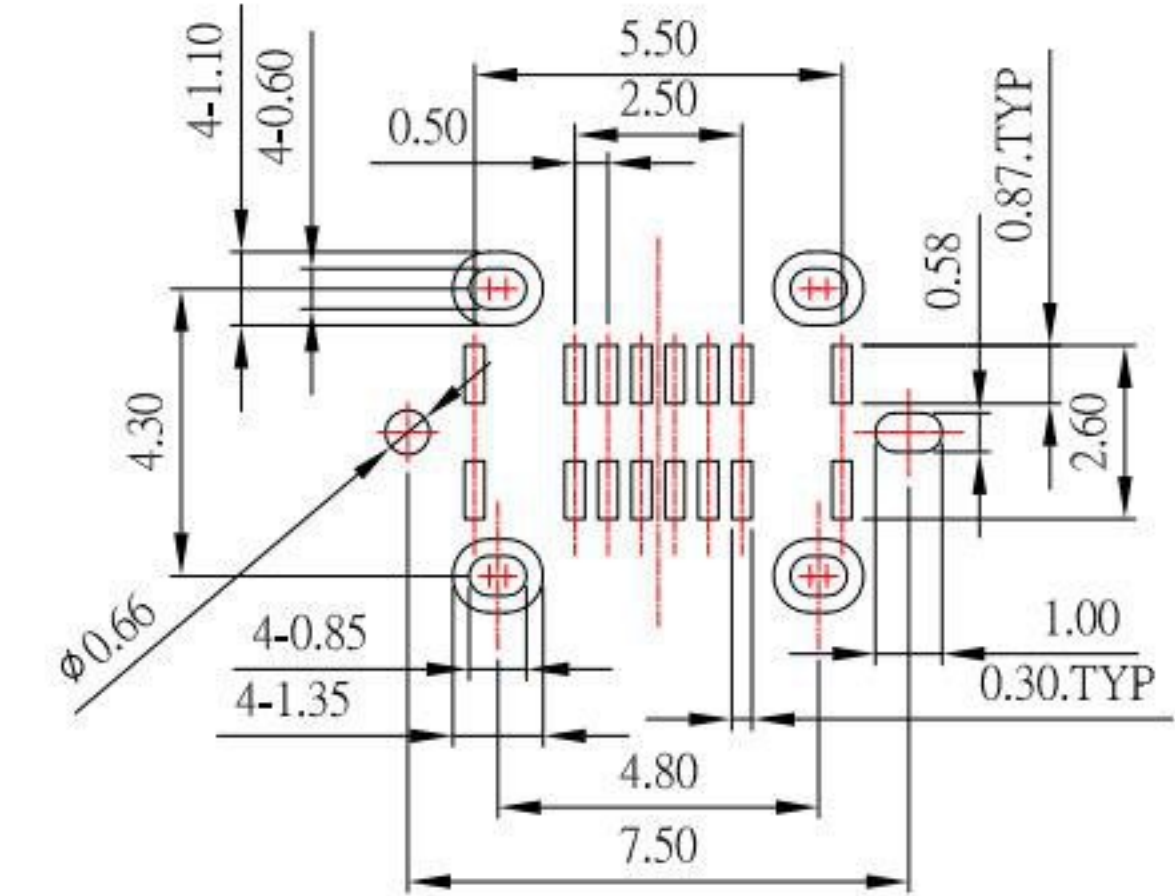
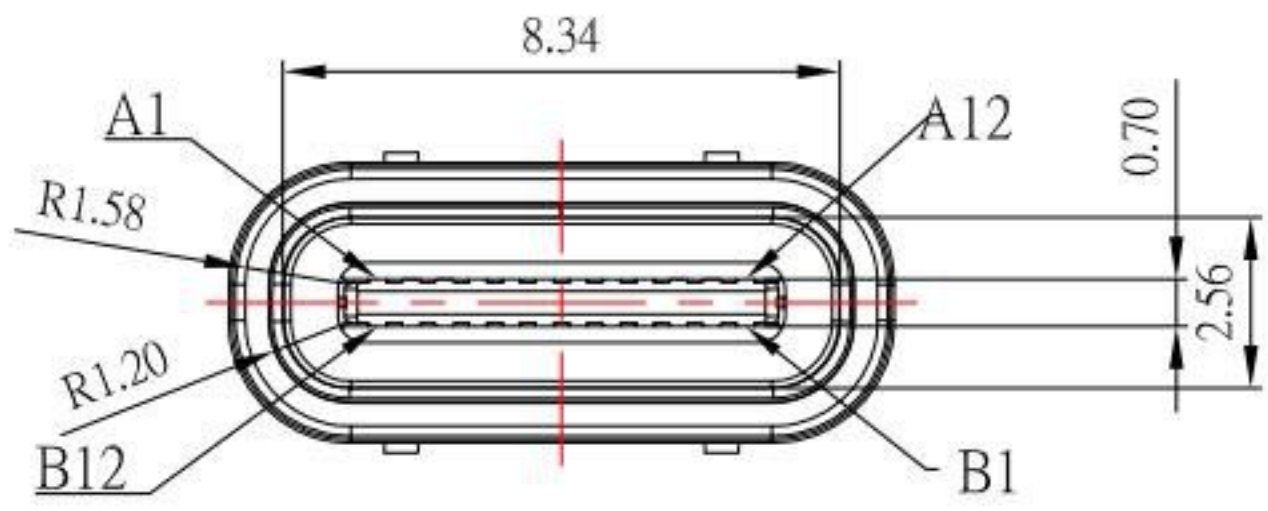


IPX7 **RoHS Compliant**

SBC-WP160VS-20x-S165

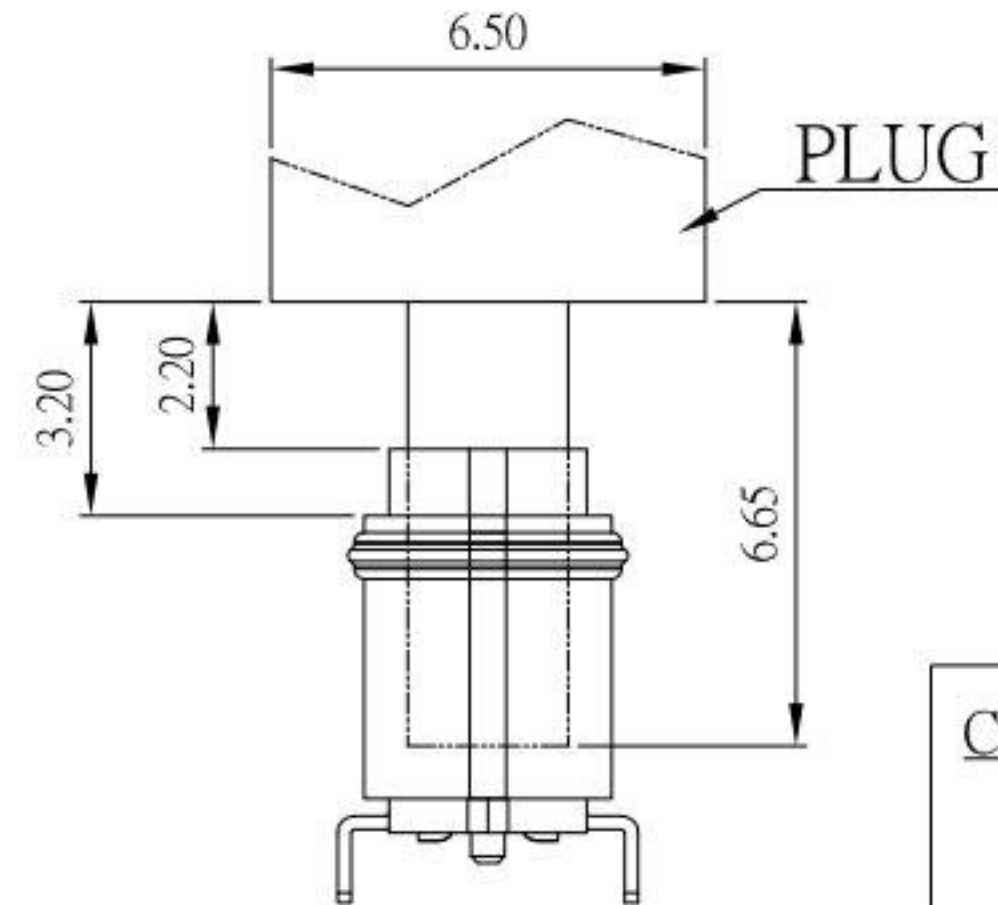
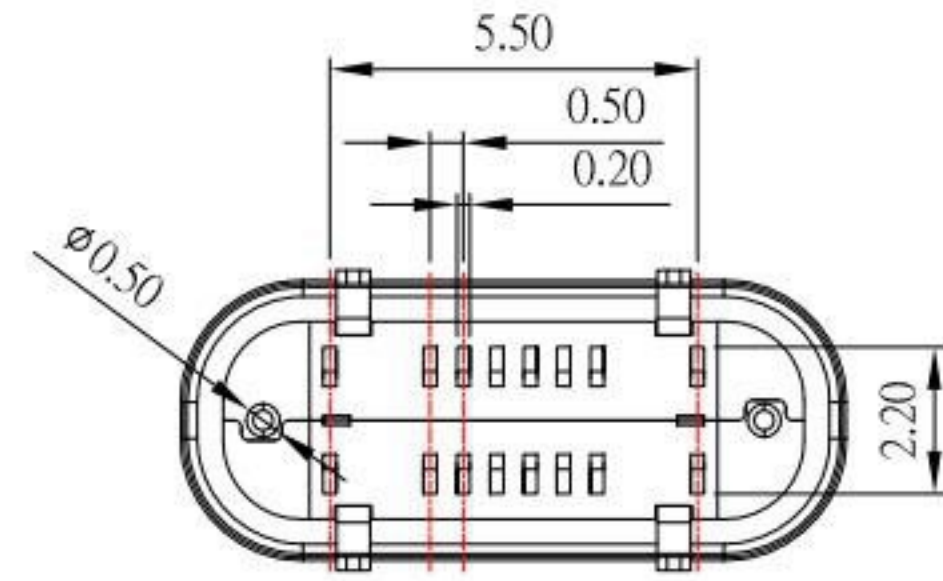
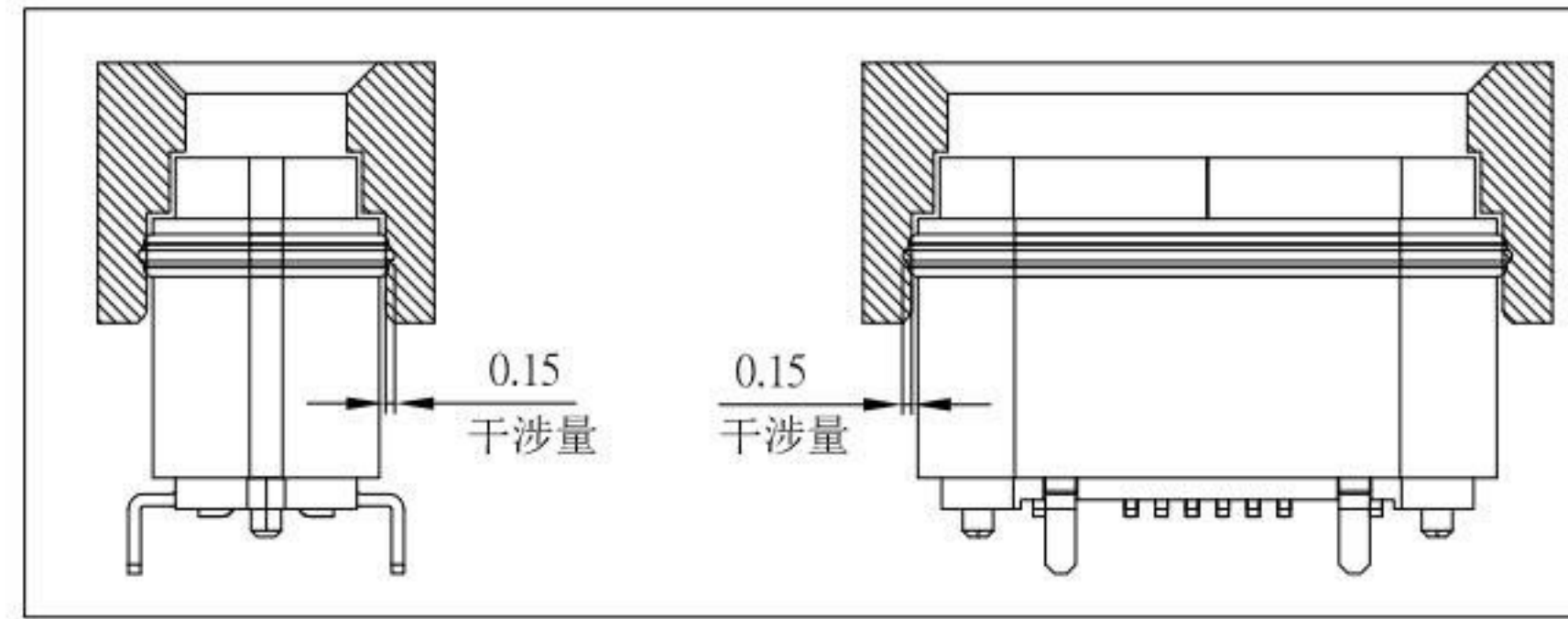
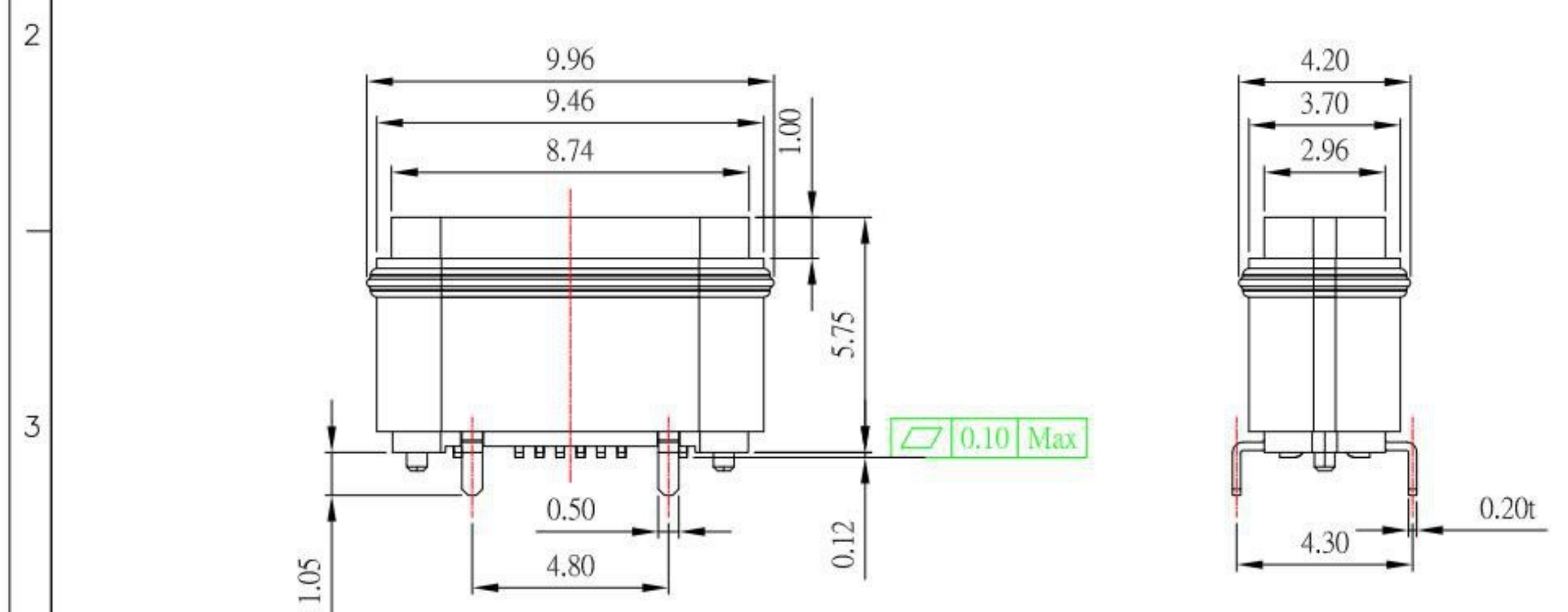
鍍層厚度：

Blank : 1u"
2 : 15u"
3 : 30u"

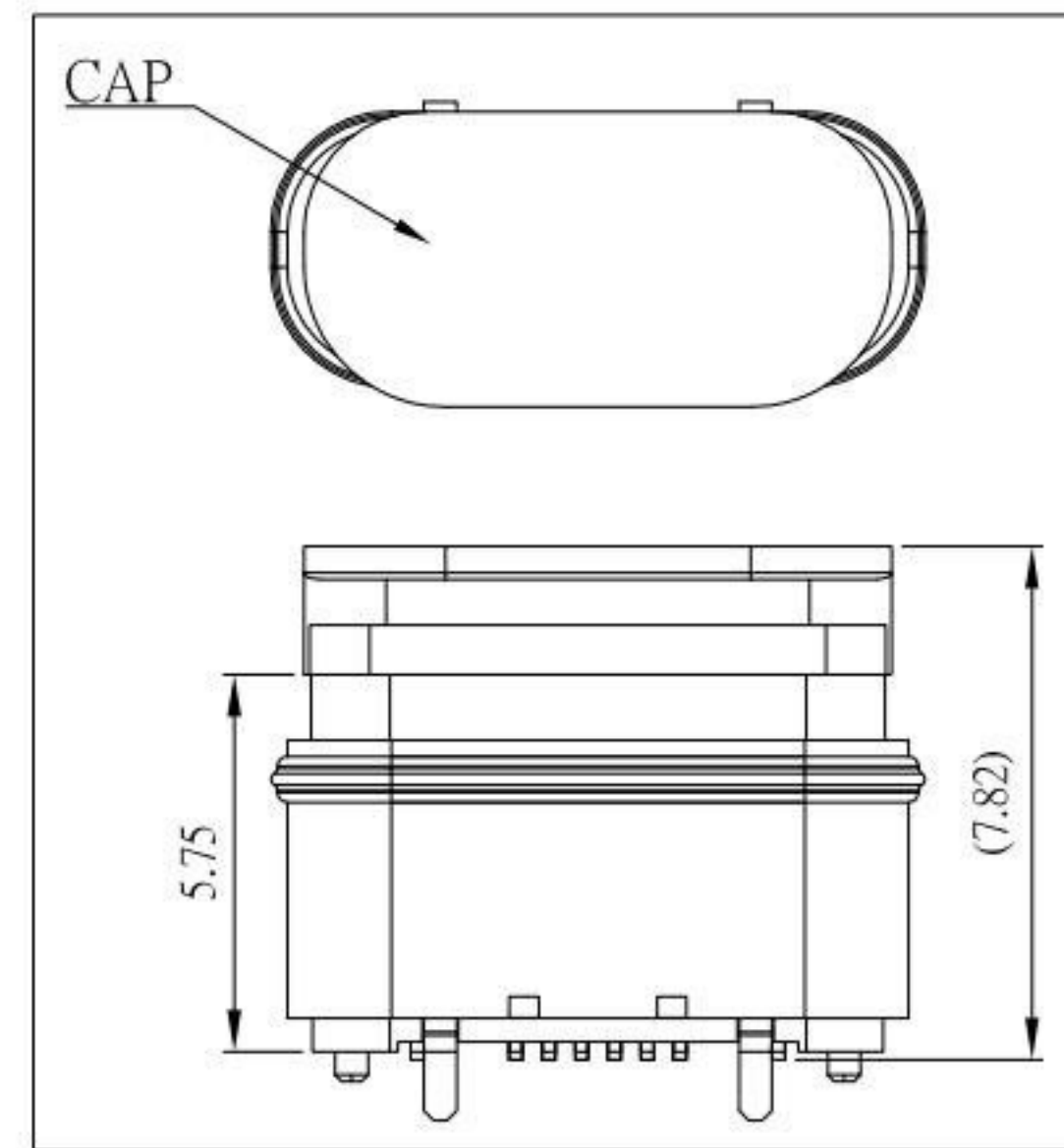


RECOMMENDED PCB LAYOUT

PIN ASSIGNMENT			
PIN NUMBER	SIGNAL NAME	PIN NUMBER	SIGNAL NAME
A1	GND	B12	GND
A4	VBUS	B9	VBUS
A5	CCI	B8	SBU2
A6	D+	B7	D-
A7	D-	B6	D+
A8	SBU1	B5	CC2
A9	VBUS	B4	VBUS
A12	GND	B1	GND



MATED CONDITION(REF.)



SPECIFICATIONS

Electrical:

- 1. Rating: 3.0 A
- 2. Contact Resistance: 50 mΩ Max
- 3. Insulation Resistance: 100 MΩ Min

Mechanical:

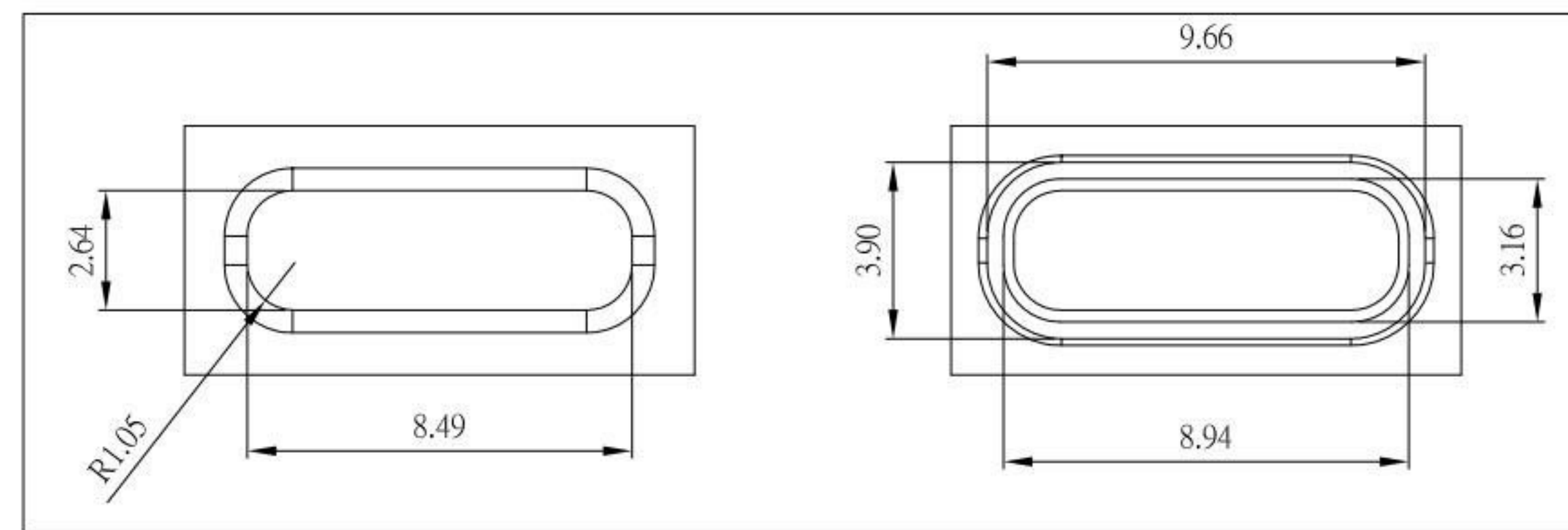
- 1. Connector Mate and Unmate Force
 - 1.1 Mate force: 5~20 N
 - 1.2 Unmate force: 8~20 N

Material:

- 1. Housing: LCP
- 2. Contact: C7025
- 3. Shell: SUS

Finish:

- 1. Contact: Plated Gold in Mating Area ; Gold Plated on Solder Balls ; Nickel under plated overall
- 2. Shell: Nickel under Plated surface layer



KSD 科斯达电子科技有限公司
 SWITCH CONNECTOR KSD ELECTRONIC TECHNOLOGY Co., LTD
 全球 互联零组件制造企业

TOLERANCE UNLESS OTHERWISE STATED:
 Up to 5 ±0.2
 Above 5 ~ 15 ±0.3
 Above 15 ~ 30 ±0.4
 Above 30 ~ 50 ±0.5
 Angle ±0.3°

3RD. ANGEL'S UNITS MM

DRAWN BY:	DATE	MAT'L	TITLE	CONNECTOR	
Jack Lu	03/10/22			FINISH	MODLE
CHECKED BY:	DATE	SCALE	DWG NO.		
Jacky Chen	03/10/22			SHEET NO.	PART NO.
APPROVED BY:	DATE	1 of 1	SBC-WP160VS-20x-S165		
Tony Kao	03/10/22				

ITEM NO.	DESCRIPTION	DRAWN	DATE
1	更新圖面	Jack	031022