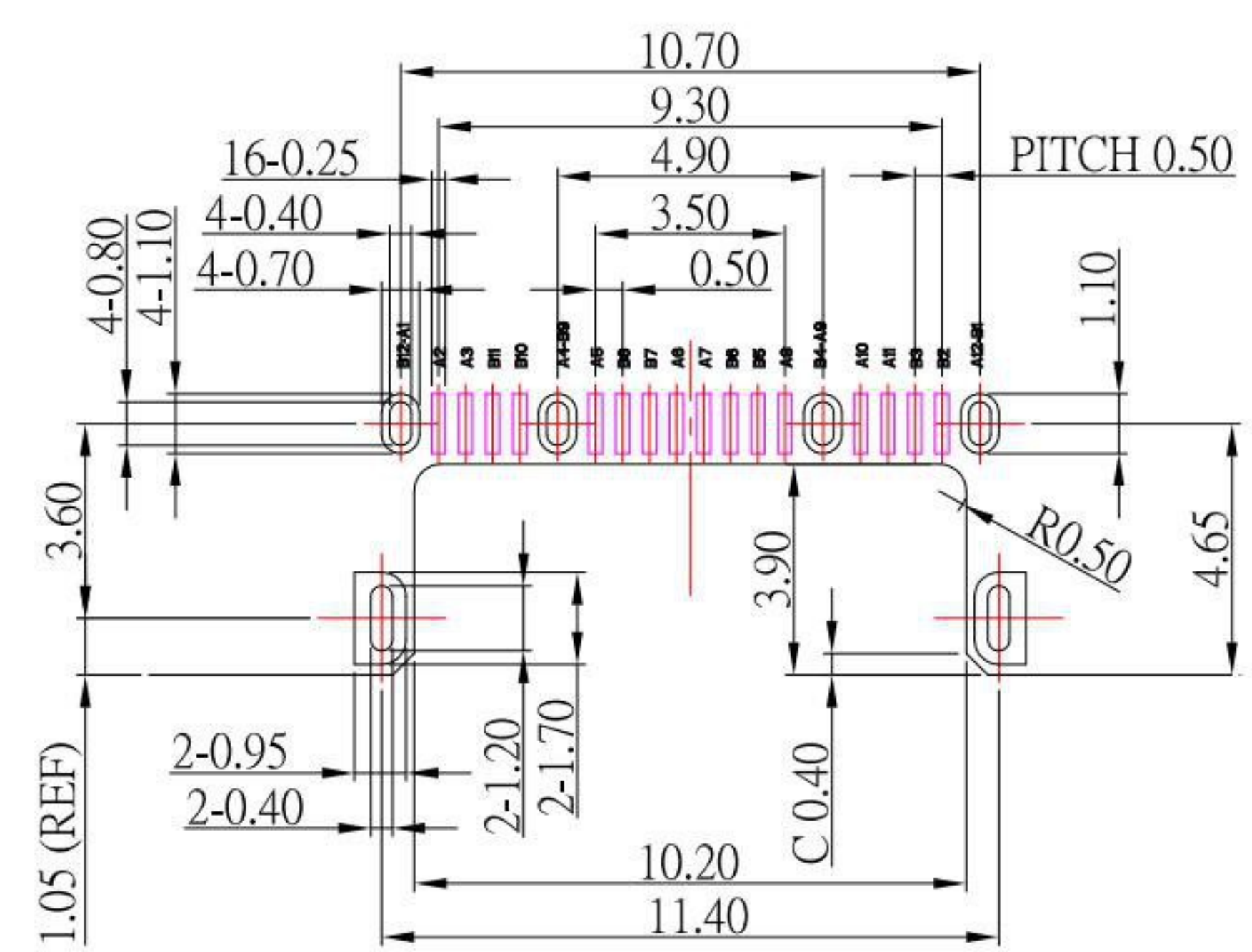
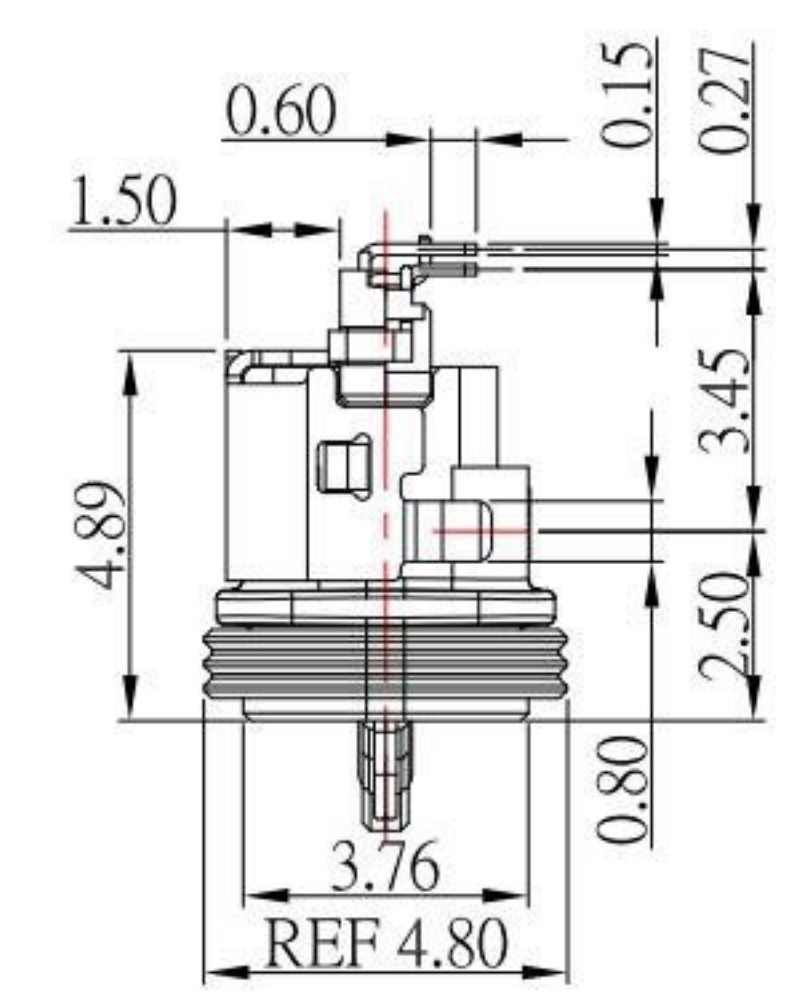
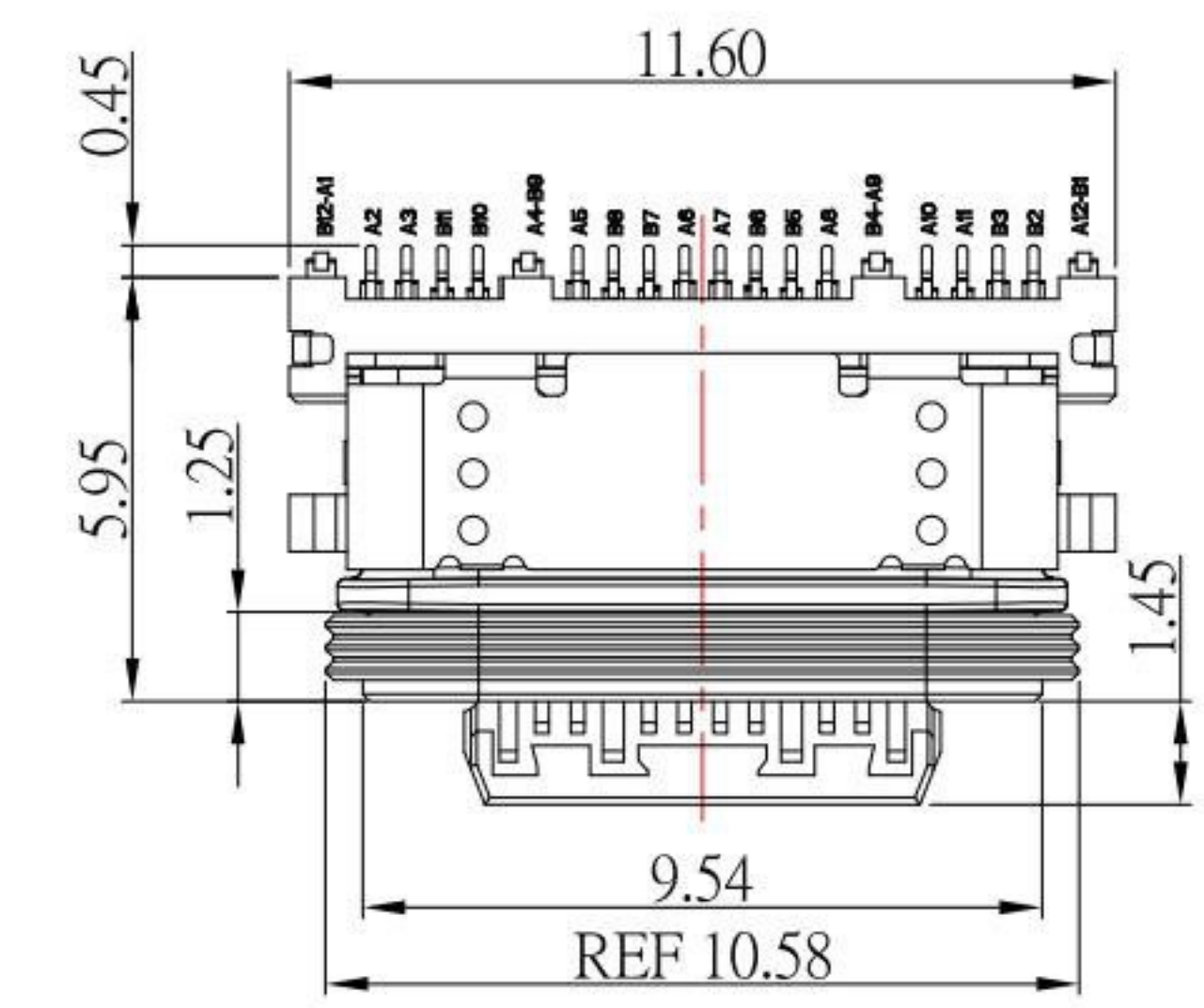




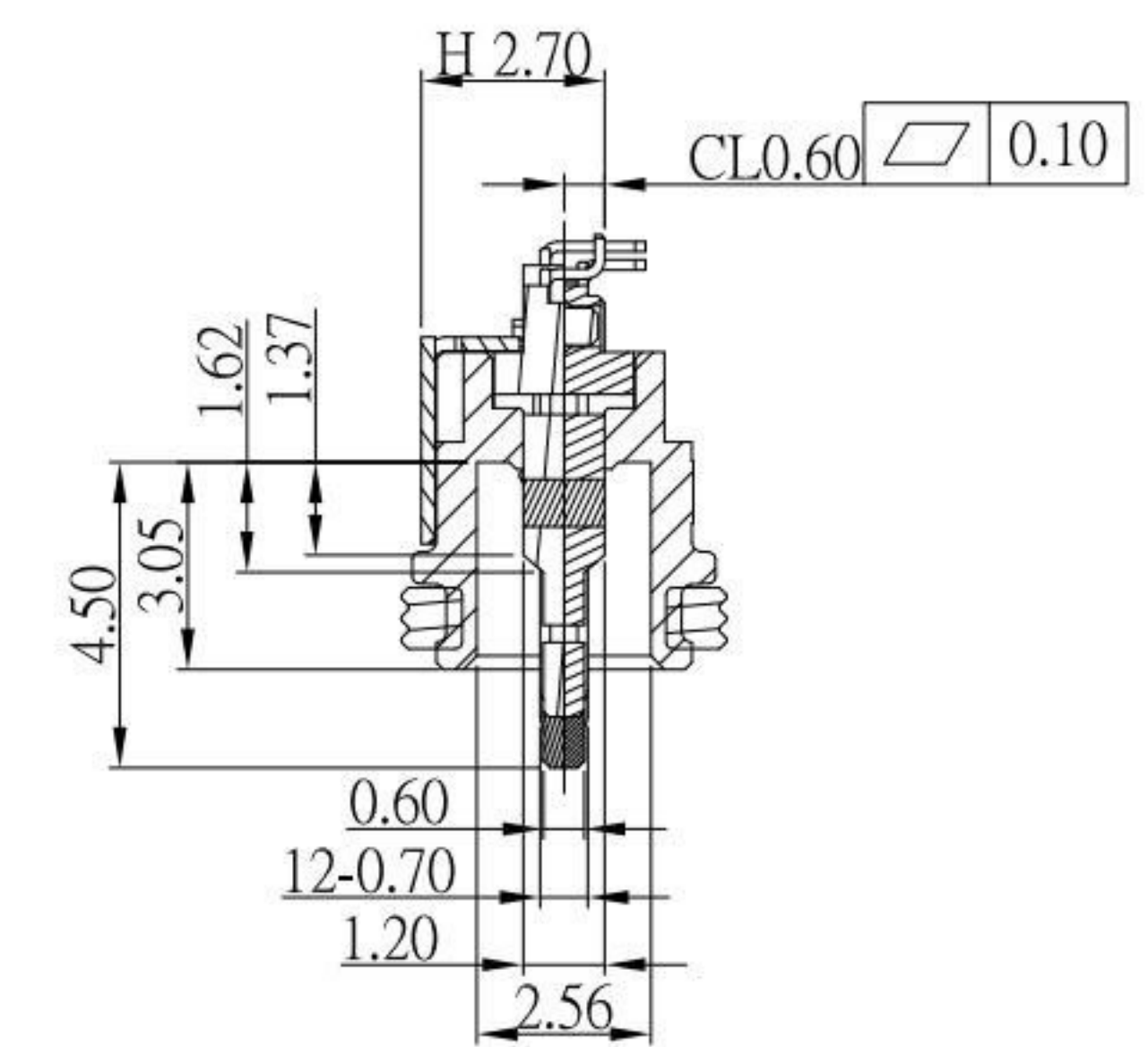
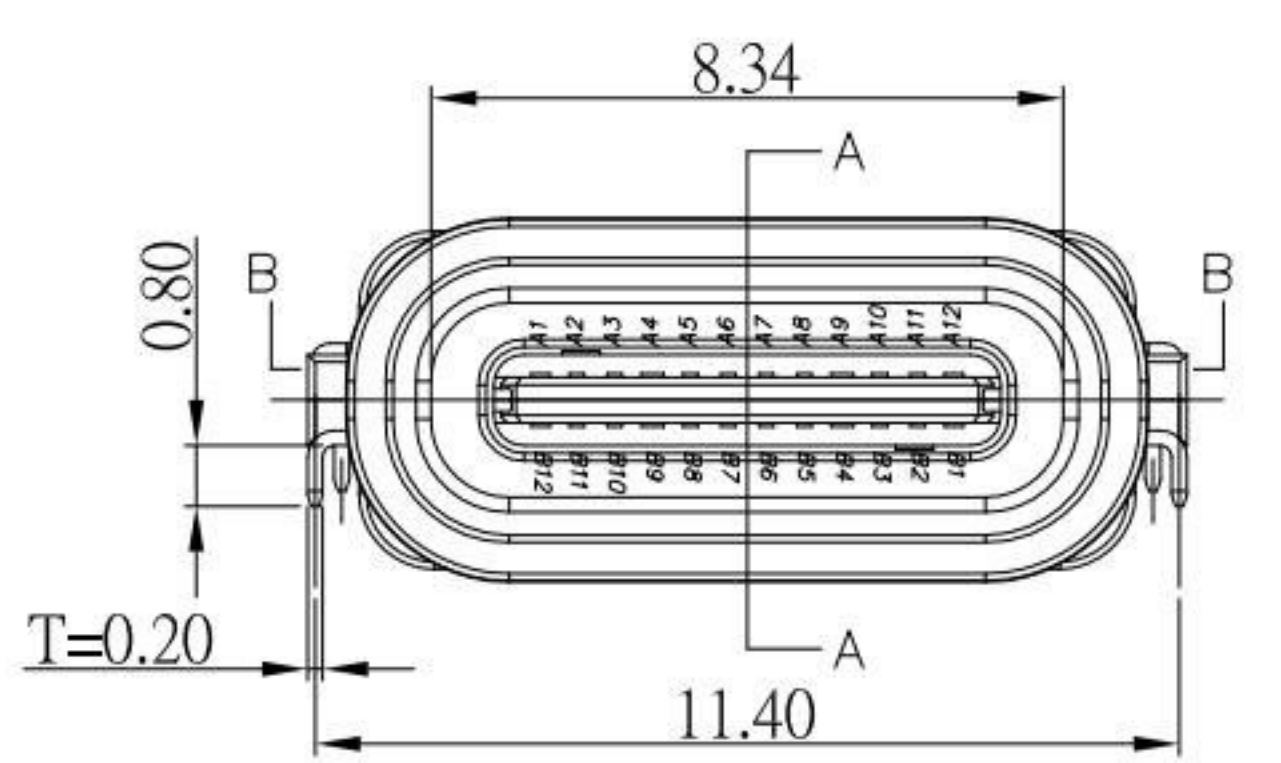
# SBC-WP240M-45x-S382

鍍層厚度:

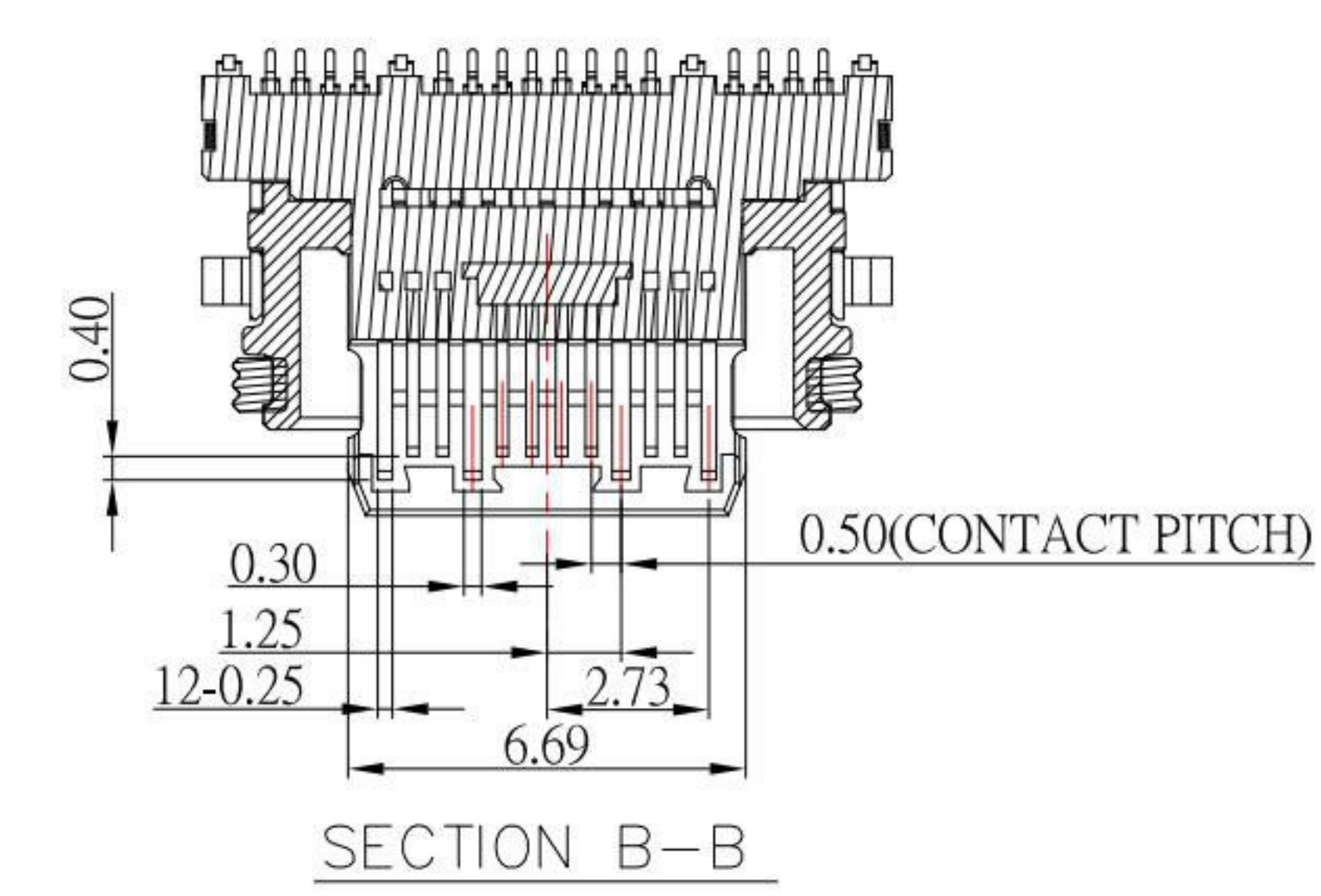
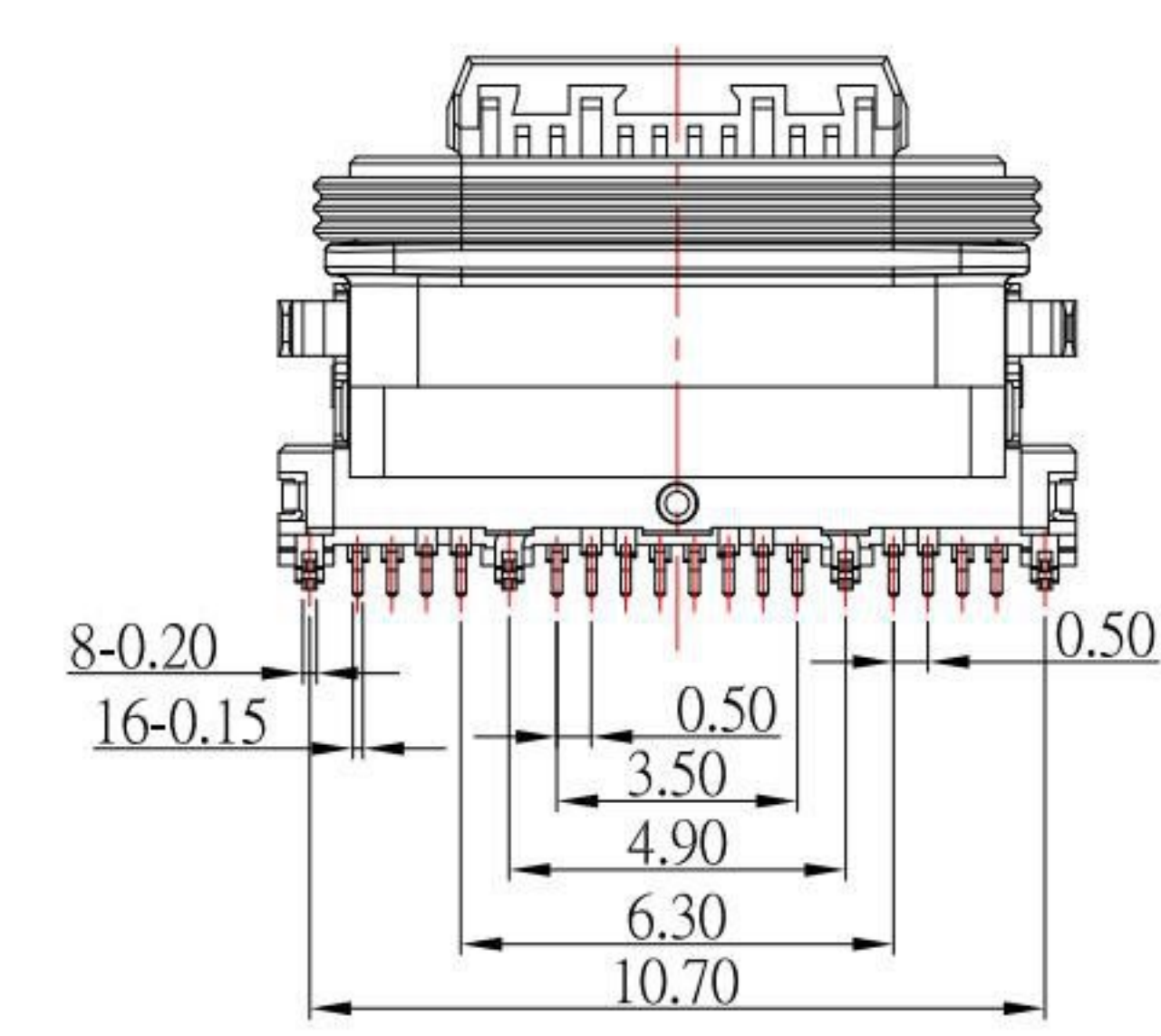
Blank : 1u"
2 : 15u"
3 : 30u"



RECOMMEND P.C.B LAYOUT (COMPONENT SIDE)



SECTION A-A



SECTION B-B

Pin	Signal Name	Mating Sequence	Pin	Signal Name	Mating Sequence
A1	GND	First	B12	GND	First
A2	SSTXp1	Second	B11	SSRXp1	Second
A3	SSTXn1	Second	B10	SSRXn1	Second
A4	V <sub>BUS</sub>	First	B9	V <sub>BUS</sub>	First
A5	CC1	Second	B8	SBU2	Second
A6	Dp1	Second	B7	Dn2	Second
A7	Dn1	Second	B6	Dp2	Second
A8	SBU1	Second	B5	CC2	Second
A9	V <sub>BUS</sub>	First	B4	V <sub>BUS</sub>	First
A10	SSRXn2	Second	B3	SSTXn2	Second
A11	SSRXp2	Second	B2	SSTXp2	Second
A12	GND	First	B1	GND	First
SHELL	GND		SHELL	GND	

### SPECIFICATIONS

- Electrical:**
- Rating: 5.0A
  - Contact Resistance: 40 mΩ Max
  - Insulation Resistance: 100 MΩ Min
  - Dielectric Withstanding Voltage: 100V AC

- Mechanical:**
- Connector Mate and Unmate Force
    - Mate force: 5~20 N
    - Unmate force: 8~20 N

- Material:**
- Housing: PA9T
  - Contact: C18400
  - Shell: SUS

- Finish:**
- Contact: Plated Gold in Mating Area ;  
Tin Plated on Solder Balls ;  
Nickel under plated overall
  - Shell: Nickel under Plated surface layer

**KSD** 科斯达电子科技有限公司  
 SWITCH CONNECTOR KSD ELECTRONIC TECHNOLOGY Co., LTD  
 全球 互联零组件制造企业

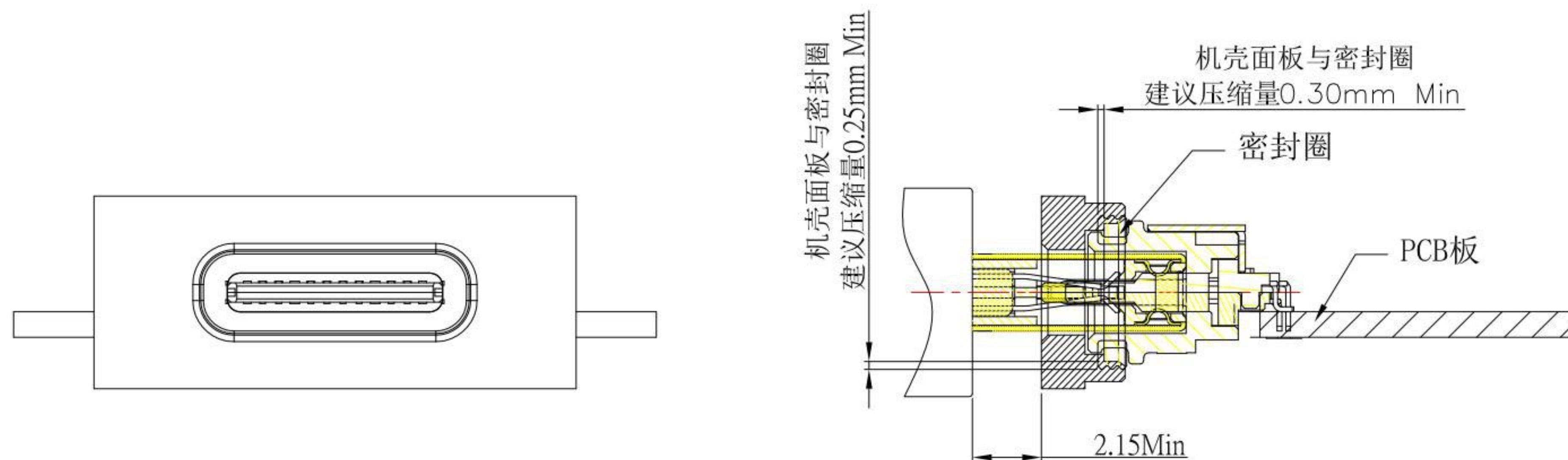
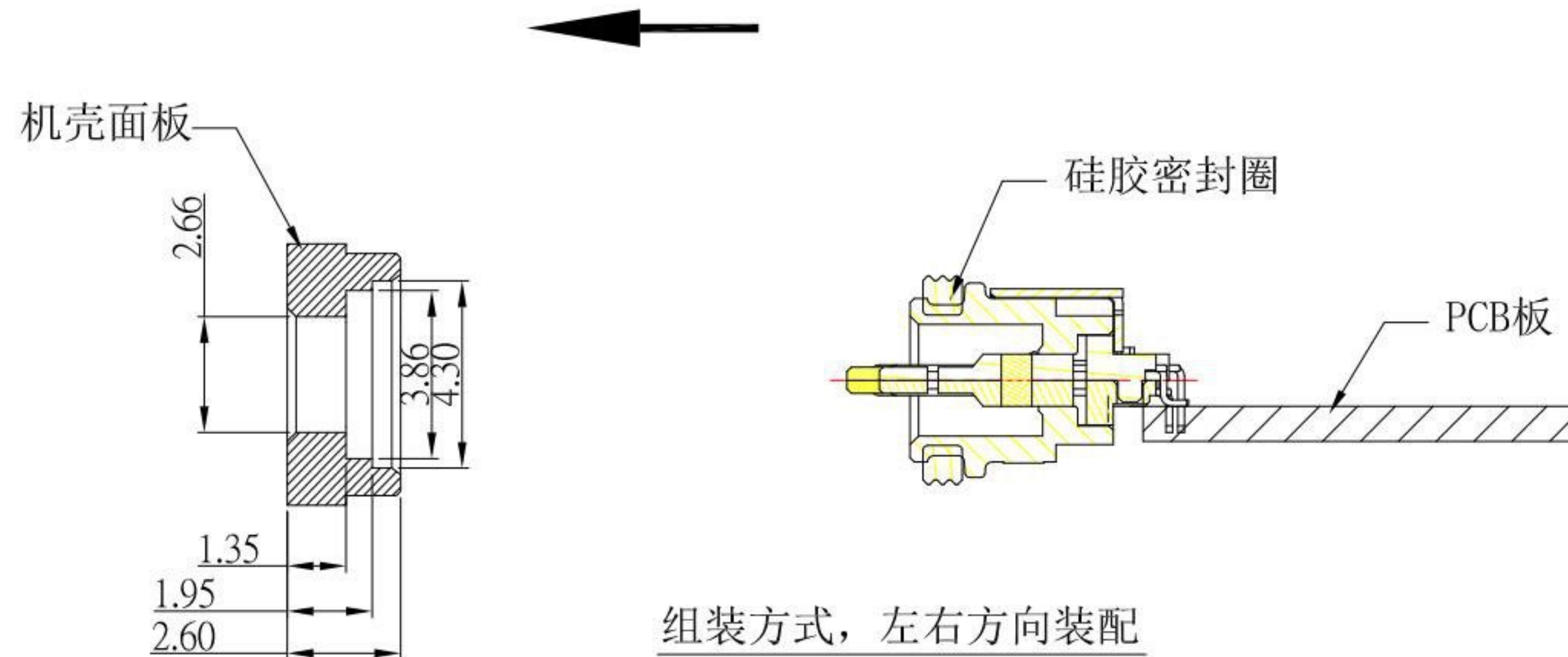
TOLERANCE UNLESS OTHERWISE STATED:  
 Up to 5 ±0.2  
 Above 5 ~ 15 ±0.3  
 Above 15 ~ 30 ±0.4  
 Above 30 ~ 50 ±0.5  
 Angle ±0.3°

3RD. ANGEL'S

UNITS MM

DRAWN BY:	DATE	MAT'L	TITLE	CONNECTOR
Jack Lu	12/23/22		MODLE	USB4 CF WATERPROOF CL=0.60 MID-MOUNT
CHECKED BY:	DATE	FINISH	DWG NO.	SBC-WP240M-45x-S382
Jacky Chen	12/23/22		PART NO.	SBC-WP240M-45x-S382
APPROVED BY:	DATE	SCALE	SHEET NO.	1 of 2
Tony Kao	12/23/22	1 : 1		

ITEM NO.	DESCRIPTION	DRAWN	DATE
2	更新MODLE	Jack	122322
1	更新Contact材質	Jack	102122

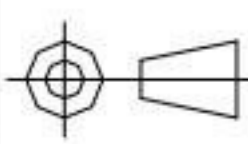


组装面板后公母头对插示意图

**KSD** 科斯达电子科技有限公司  
SWITCH CONNECTOR KSD ELECTRONIC TECHNOLOGY Co., LTD  
全球 互联零组件制造企业

TOLERANCE UNLESS OTHERWISE STATED:  
Up to 5 ±0.2  
Above 5 ~ 15 ±0.3  
Above 15 ~ 30 ±0.4  
Above 30 ~ 50 ±0.5  
Angle ±0.3°

3RD. ANGEL'S



UNITS MM

DRAWN BY: Jack Lu  
DATE: 12/23/22  
CHECKED BY: Jacky Chen  
DATE: 12/23/22  
APPROVED BY: Tony Kao  
DATE: 12/23/22

MAT'L  
FINISH  
SCALE: 1:1  
SHEET NO. 2 of 2

TITLE: CONNECTOR  
MODLE: USB4 CF WATERPROOF CL=0.60 MID-MOUNT  
DWG NO.: SBC-WP240M-45x-S382  
PART NO.: SBC-WP240M-45x-S382

SIZE: A4  
VER: R2

ITEM NO.	DESCRIPTION	DRAWN	DATE
2	更新MODLE	Jack	122322
1	更新Contact材質	Jack	102122