

IP67



SBC-WP240M1-31x-S338

鍍層厚度:

Blank : 1u"
2 : 15u"
3 : 30u"

**SPECIFICATIONS**

**Electrical:**

1. Rating: 5.0A(VBUS&GND),0.25A(Other Pin)
- 2.Contact Resistance: 40 mΩ Max
- 3.Insulation Resistance: 100 MΩ Min
- 4.Dielectric Withstanding Voltage: 100V AC

**Mechanical:**

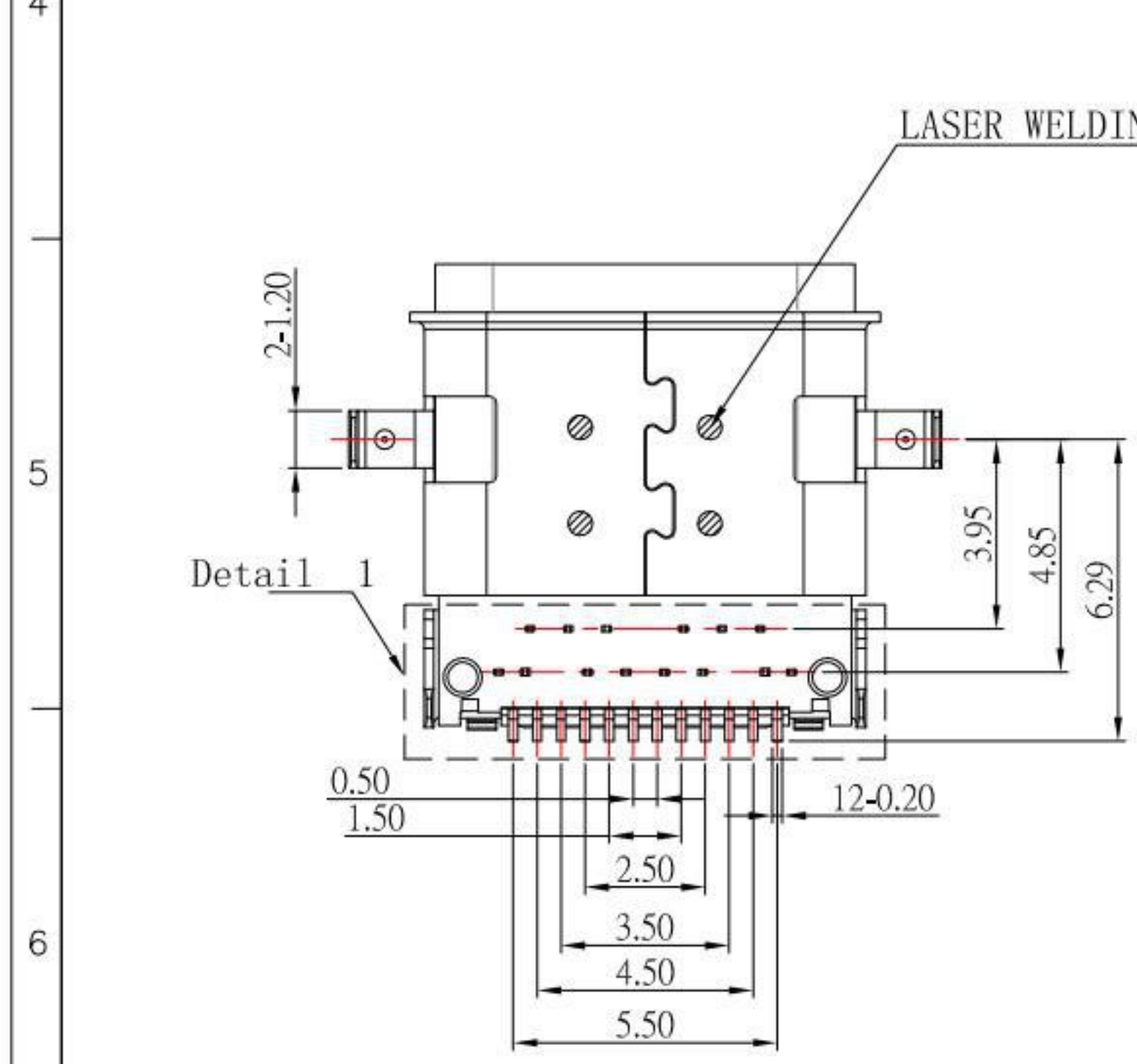
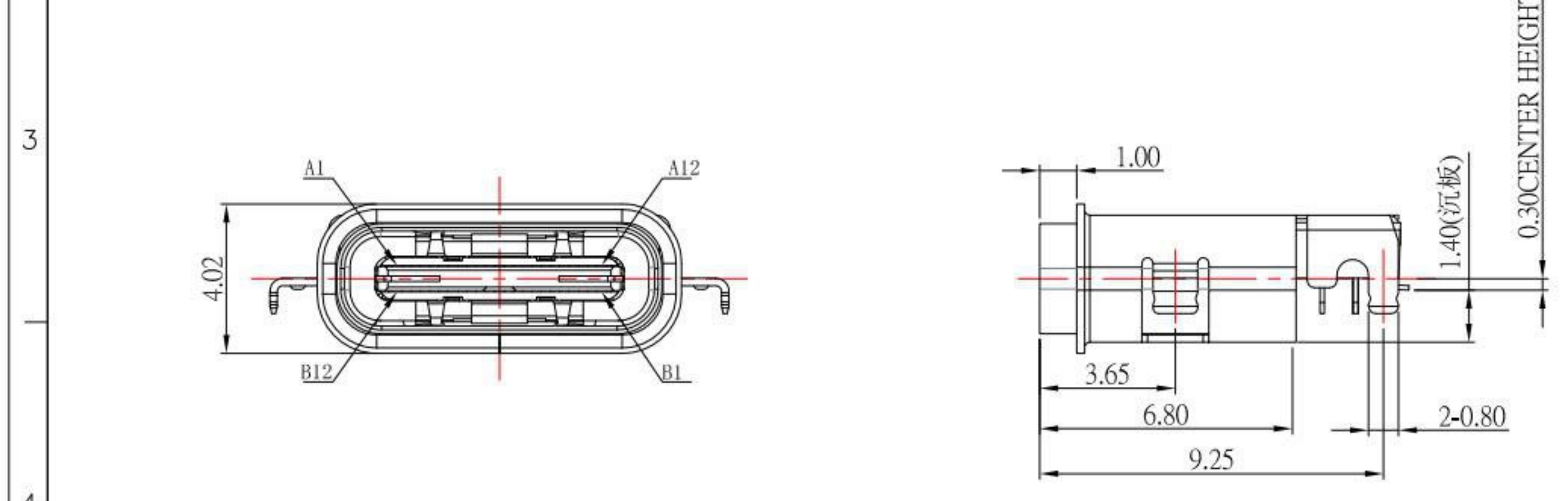
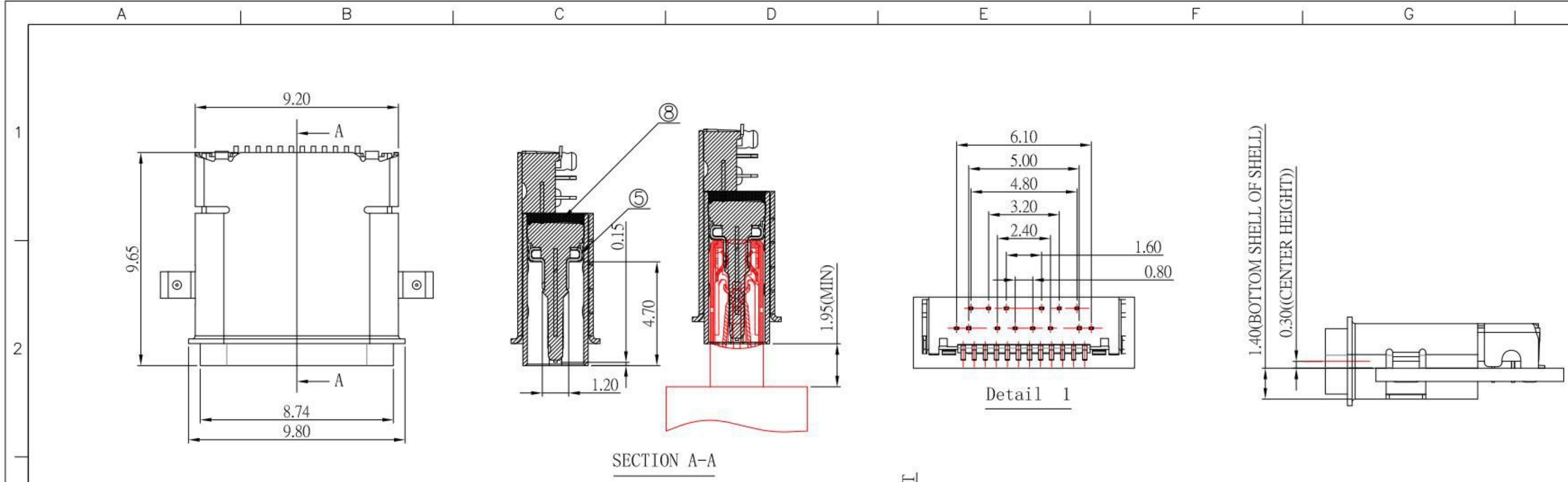
- 1.Connector Mate and Unmate Force
  - 1.1 Mate force: 5~20 N
  - 1.2 Unmate force: 8~20 N

**Material:**

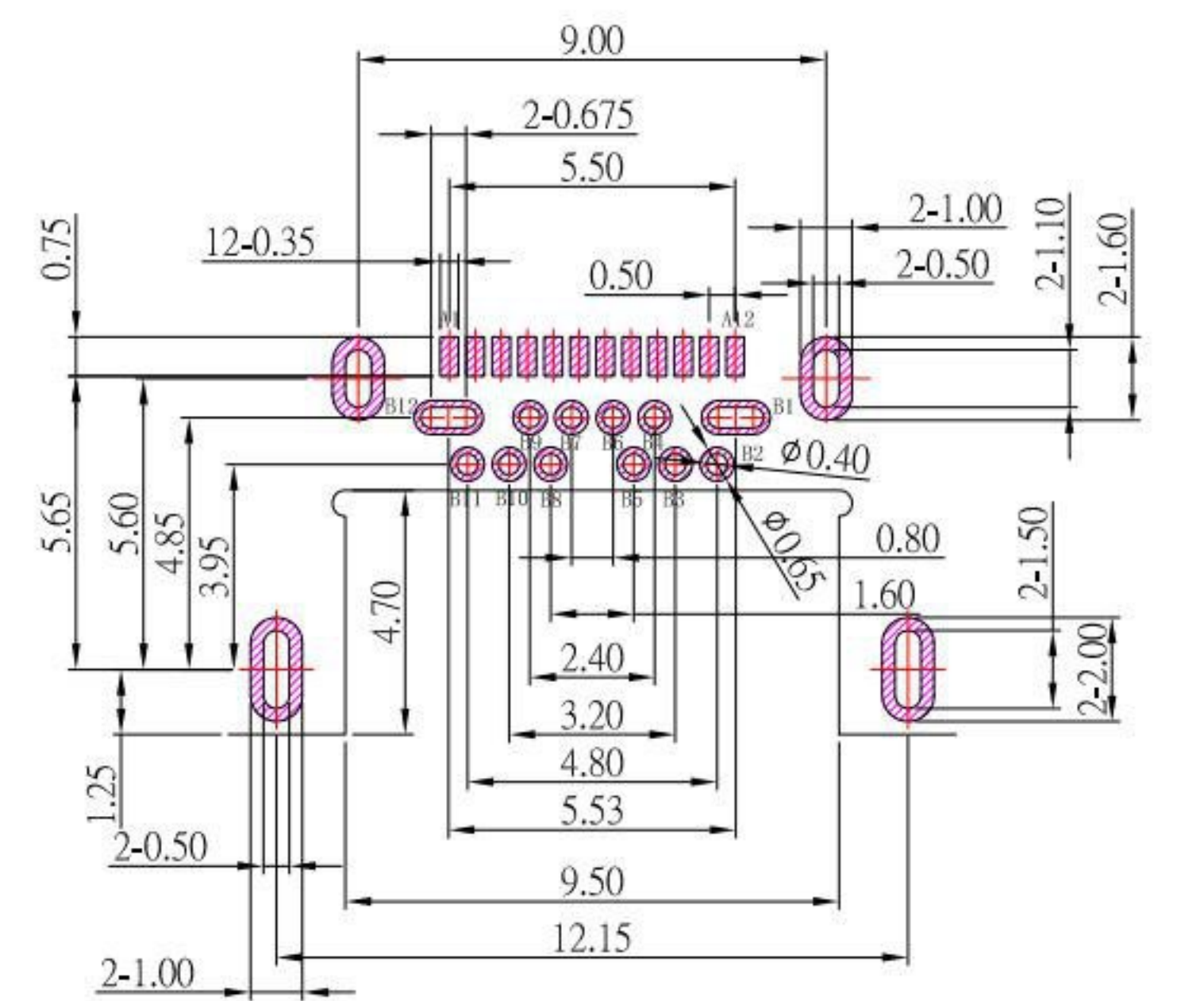
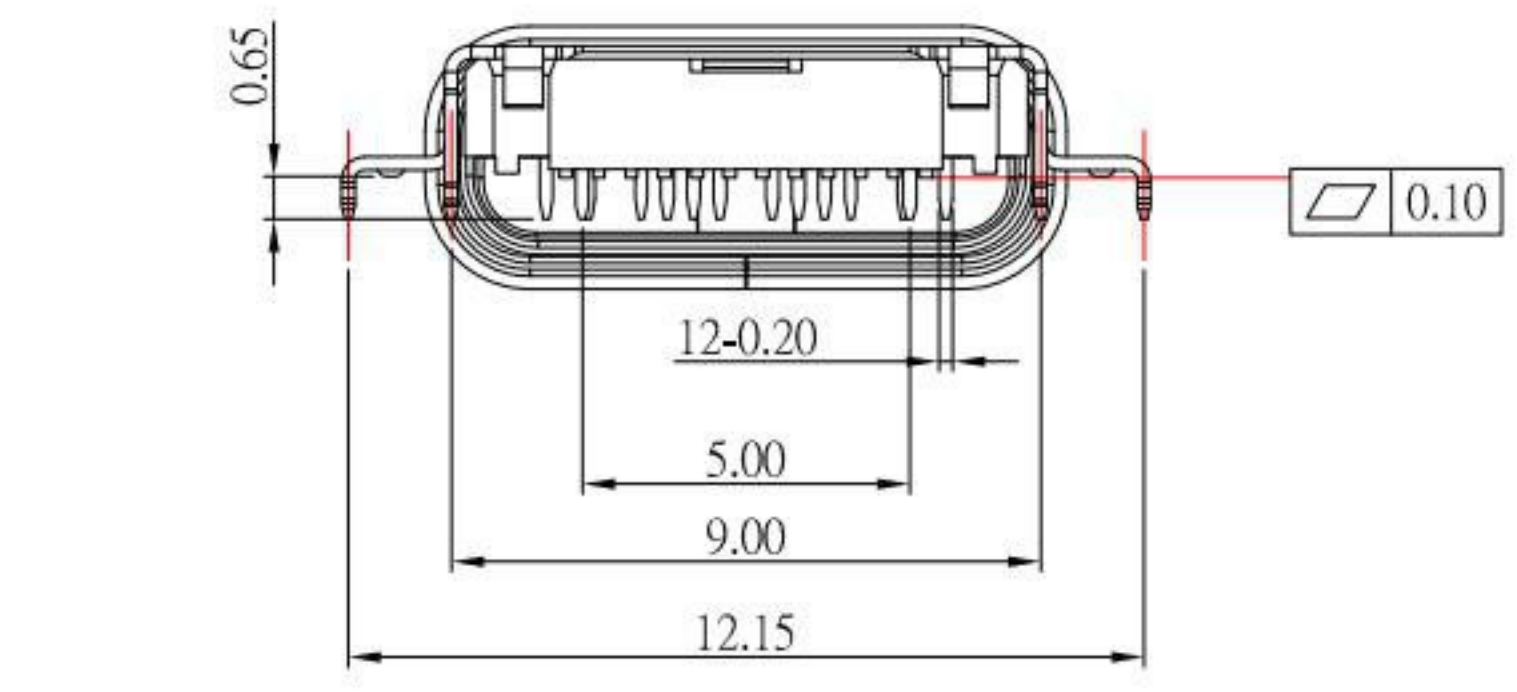
- 1.Housing: LCP,UL 94V-0
- 2.Contact: Copper Alloy
- 3.Shell: SUS
- 4.Glue Water: Epoxy

**Finish:**

- 1.Contact: Plated Gold in Mating Area ;  
Gold Plated on Solder Balls ;  
Nickel under plated overall
- 2.Shell: Nickel under Plated surface layer



Pin	Signal Name	Mating Sequence	Pin	Signal Name	Mating Sequence
A1	GND	First	B12	GND	First
A2	SSTXp1	Second	B11	SSRXp1	Second
A3	SSTXn1	Second	B10	SSRXn1	Second
A4	V <sub>bus</sub>	First	B9	V <sub>bus</sub>	First
A5	CC1	Second	B8	SBU2	Second
A6	Dp1	Second	B7	Dn2	Second
A7	Dn1	Second	B6	Dp2	Second
A8	SBU1	Second	B5	CC2	Second
A9	V <sub>bus</sub>	First	B4	V <sub>bus</sub>	First
A10	SSRXn2	Second	B3	SSTXn2	Second
A11	SSRXp2	Second	B2	SSTXp2	Second
A12	GND	First	B1	GND	First
SHELL	GND		SHELL	GND	



P.C.B LAYOUT MOUNTING PATTERN

ITEM NO.	DESCRIPTION	DRAWN	DATE
4	新增防水膠圈料號	Jack	060321
3	更新防水等級	Jack	062519
2	更新為A0版	Jack	110117
1	更新防水等級	Jack	090717

**KSD** 科斯达电子科技有限公司  
 SWITCH CONNECTOR KSD ELECTRONIC TECHNOLOGY Co., LTD  
 全球 互聯零組件 制造企业

TOLERANCE UNLESS OTHERWISE STATED:  
 Up to 5 ±0.2  
 Above 5 ~ 15 ±0.3  
 Above 15 ~ 30 ±0.4  
 Above 30 ~ 50 ±0.5  
 Angle ±0.3°

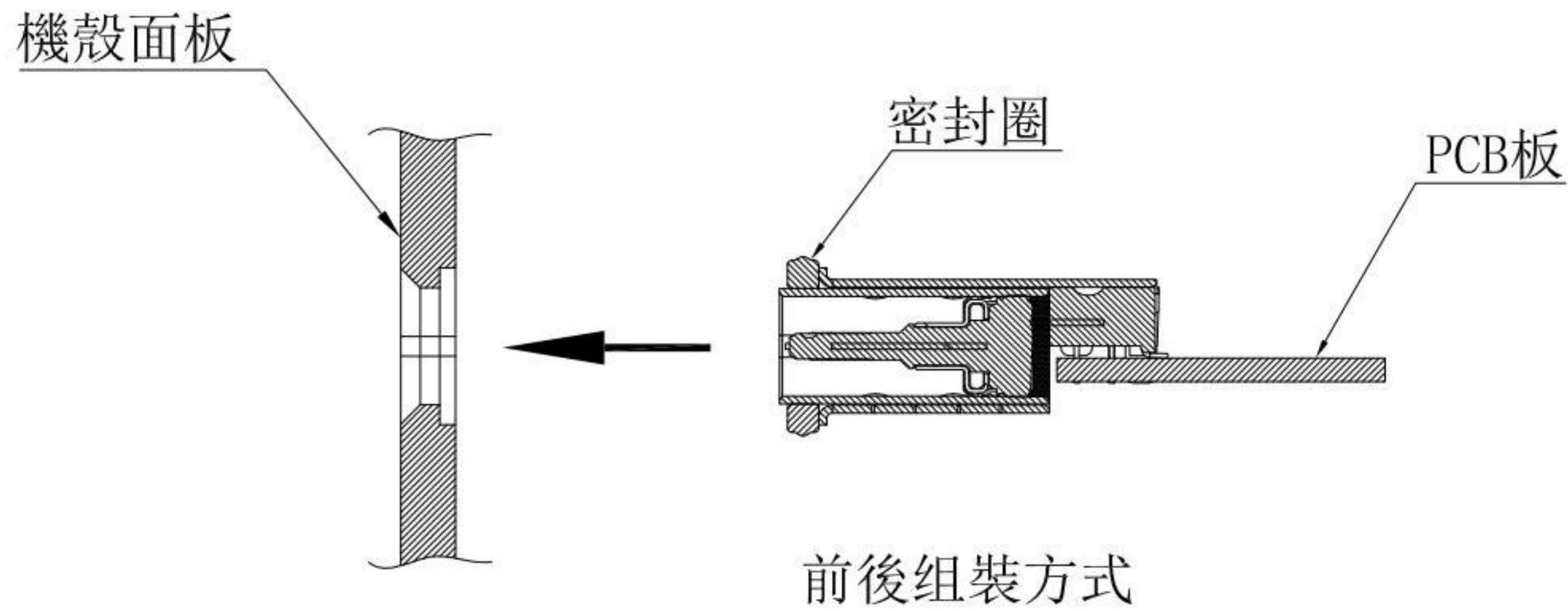
3RD. ANGEL'S

UNITS MM

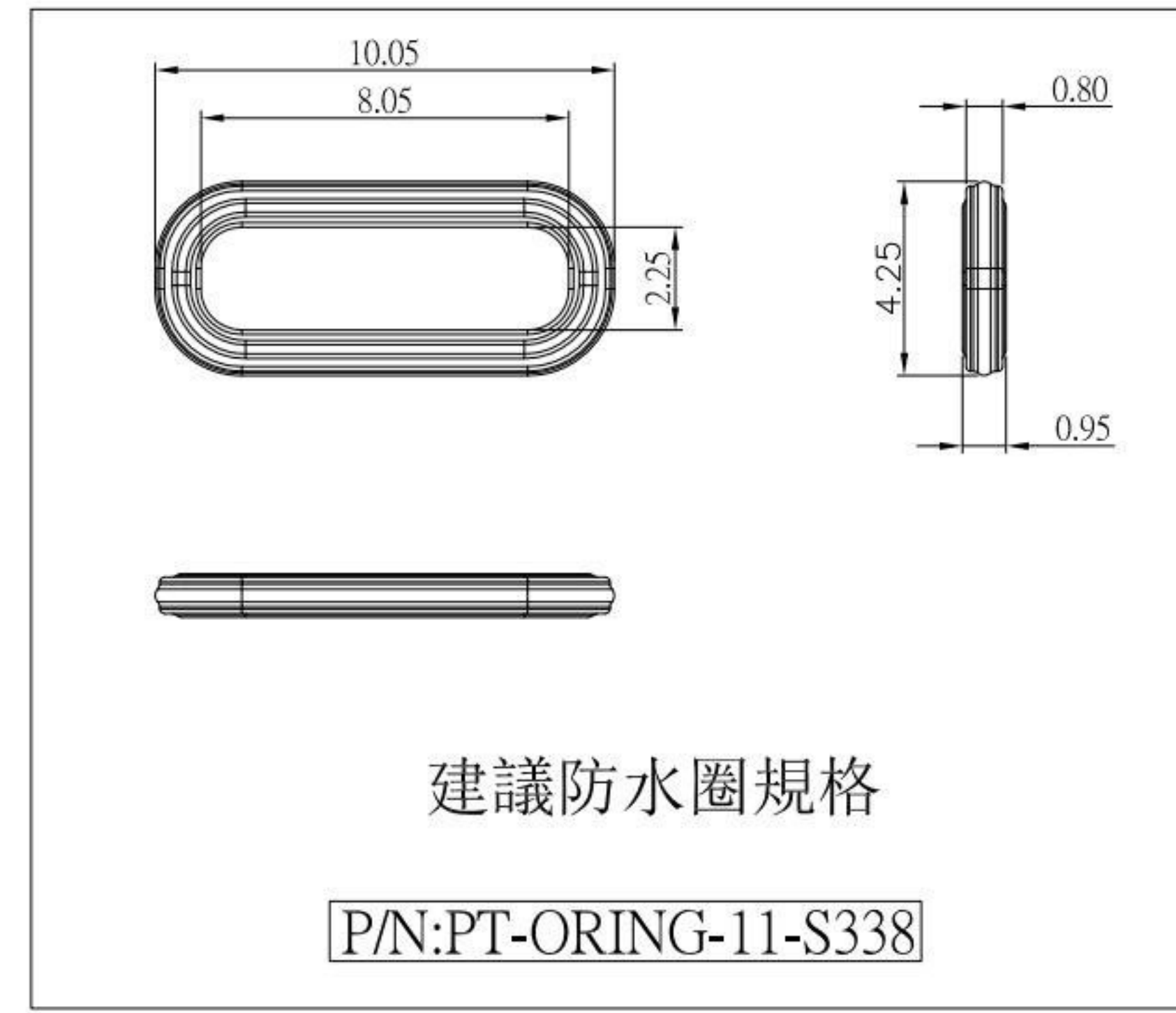
DRAWN BY:	DATE	MAT'L	TITLE	CONNECTOR
Jack Lu	06/03/21		MODLE	USB 3.1 TYPE C 沉板式防水型 IP67
CHECKED BY:	DATE	FINISH	SCALE	DWG NO.
Jacky Chen	06/03/21		1 : 1	SBC-WP240M1-31x-S338
APPROVED BY:	DATE	SHEET NO.	PART NO.	SBC-WP240M1-31x-S338
Tony Kao	06/03/21	1 of 2		

# 建議密封方式

IP67

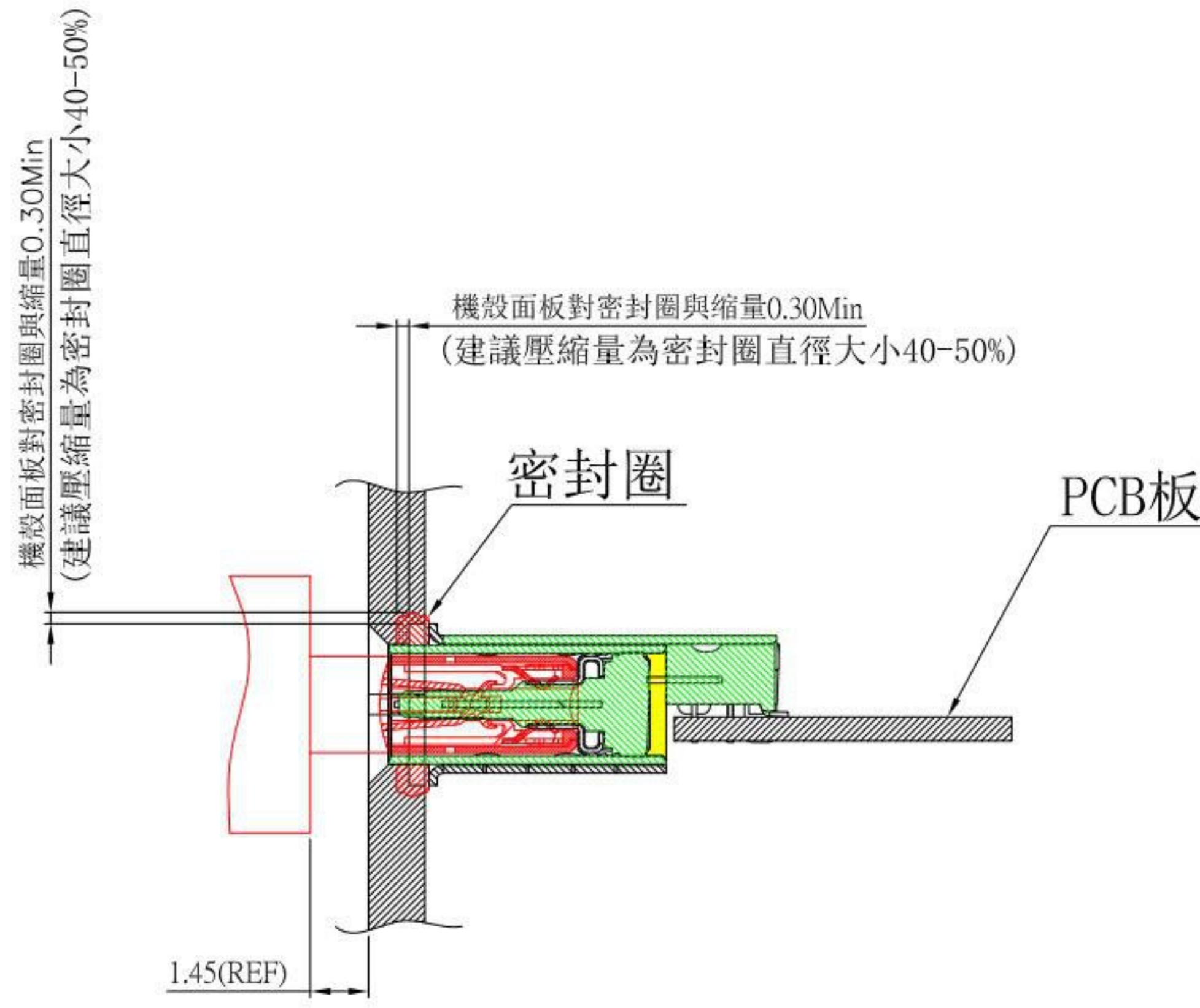


前後組裝方式

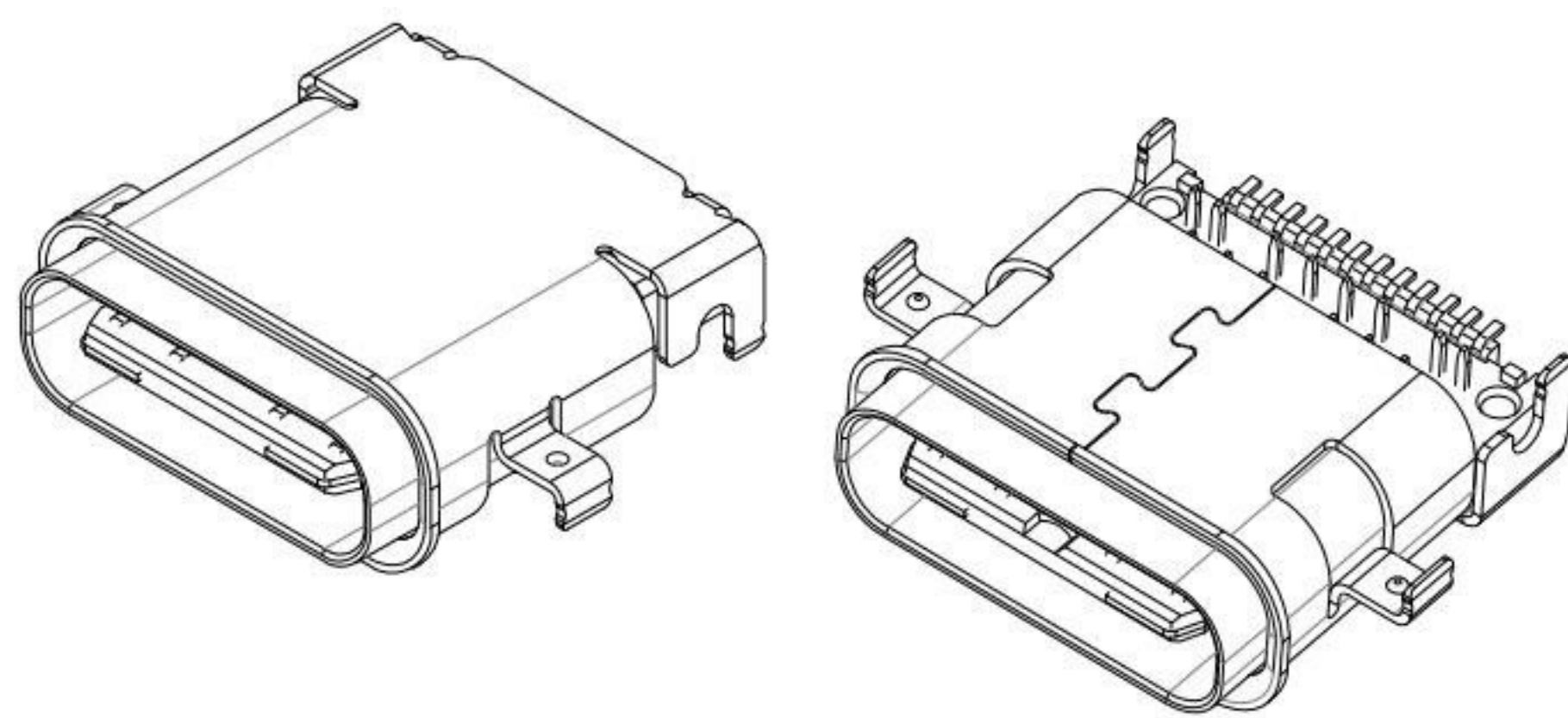


建議防水圈規格

P/N:PT-ORING-11-S338



組裝面板後公母頭對插示意圖



4	新增防水膠圈料號	Jack	060321
3	更新防水等級	Jack	062519
2	更新為A0版	Jack	110117
1	更新防水等級	Jack	090717
ITEM NO.	DESCRIPTION	DRAWN	DATE

**KSD** 科斯达电子科技有限公司  
 SWITCH CONNECTOR 全球互聯零組件制造企业  
 KSD ELECTRONIC TECHNOLOGY Co., LTD

TOLERANCE UNLESS OTHERWISE STATED:  
 Up to 5 ±0.2  
 Above 5 ~ 15 ±0.3  
 Above 15 ~ 30 ±0.4  
 Above 30 ~ 50 ±0.5  
 Angle ±0.3°

3RD. ANGEL'S

UNITS MM

DRAWN BY:	DATE	MAT'L	TITLE	CONNECTOR
Jack Lu	06/03/21			
CHECKED BY:	DATE	FINISH	MODLE	USB 3.1 TYPE C 沉板式防水型 IP67
Jacky Chen	06/03/21			
APPROVED BY:	DATE	SCALE	DWG NO.	SBC-WP240M1-31x-S338
Tony Kao	06/03/21	1:1		
		SHEET NO.	PART NO.	SBC-WP240M1-31x-S338
		2 of 2		
			SIZE	A4
			VER	R4