

Pin	Signal Name	Mating Sequence	Pin	Signal Name	Mating Sequence
A1	GND	First	B12	GND	First
A2	SSTXp1	Second	B11	SSRXp1	Second
A3	SSTXn1	Second	B10	SSRXn1	Second
A4	V <sub>BUS</sub>	First	B9	V <sub>BUS</sub>	First
A5	CC1	Second	B8	SBU2	Second
A6	Dp1	Second	B7	Dn2	Second
A7	Dn1	Second	B6	Dp2	Second
A8	SBU1	Second	B5	CC2	Second
A9	V <sub>BUS</sub>	First	B4	V <sub>BUS</sub>	First
A10	SSRXn2	Second	B3	SSTXn2	Second
A11	SSRXp2	Second	B2	SSTXp2	Second
A12	GND	First	B1	GND	First
SHELL	GND		SHELL	GND	

**IPX7** **RoHS Compliant**

SBC-WP240M2-31x-S382

鍍層厚度：  
Blank : 1u"  
2 : 15u"  
3 : 30u"

**SPECIFICATIONS**

- Electrical:**
- Rating: 5.0A(VBUS),1.25A(Vconn Pin)
  - Contact Resistance: 40 mΩ Max
  - Insulation Resistance: 100 MΩ Min
  - Dielectric Withstanding Voltage: 100V AC
- Mechanical:**
- Connector Mate and Unmate Force
    - Mate force: 5~20 N
    - Unmate force: 8~20 N

- Material:**
- Housing: LCP
  - Contact: C18400
  - Inner Shell: 17-4PH
  - Outside Shell: SUS

- Finish:**
- Contact: Plated Gold in Mating Area ;  
Tin Plated on Solder Balls ;  
Nickel under plated overall
  - Shell: Nickel under Plated surface layer

ITEM NO.	DESCRIPTION	DRAWN	DATE
5	更新樣式	Jack	033023
4	更新樣式	Jack	032023
3	更新材質	Jack	031723
2	新增防水膠圈料號	Jack	060321
1	新增IPX7標示	Jack	030618

**KSD** 科斯达电子科技有限公司  
SWITCH CONNECTOR KSD ELECTRONIC TECHNOLOGY Co., LTD  
全球 互聯零組件製造企業

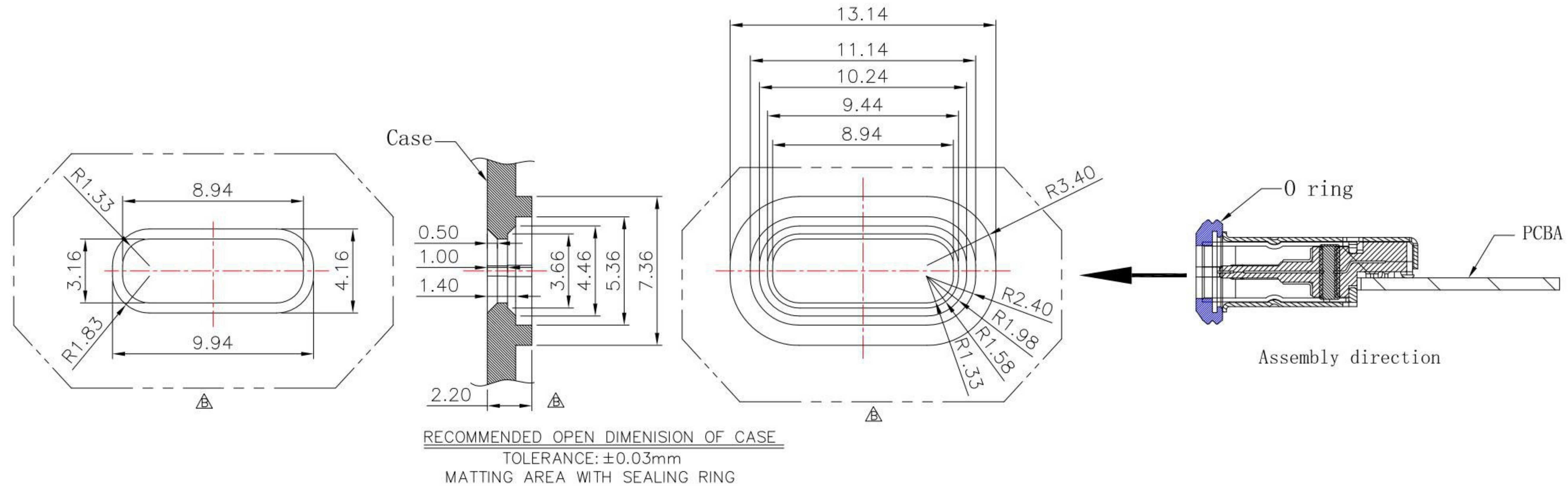
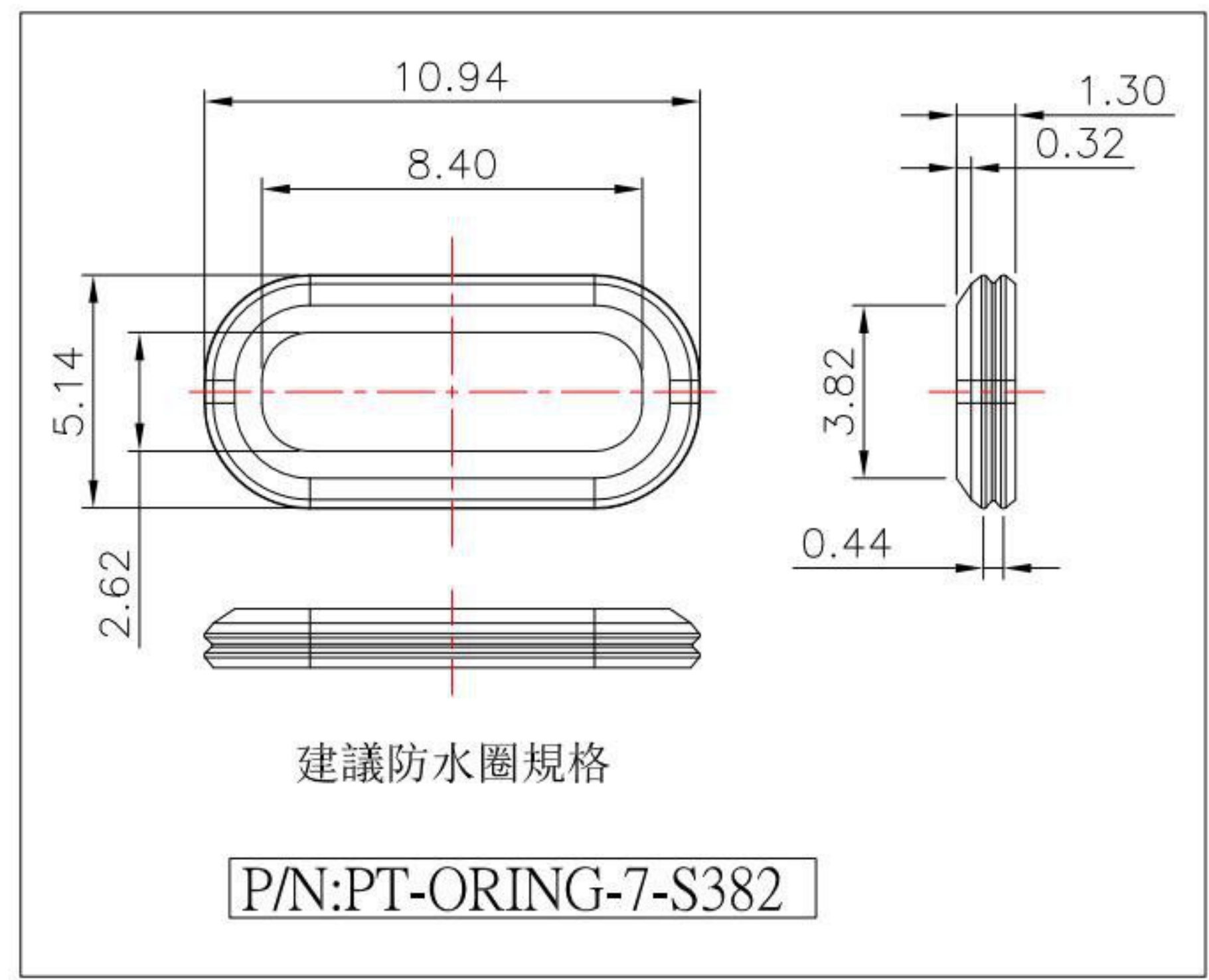
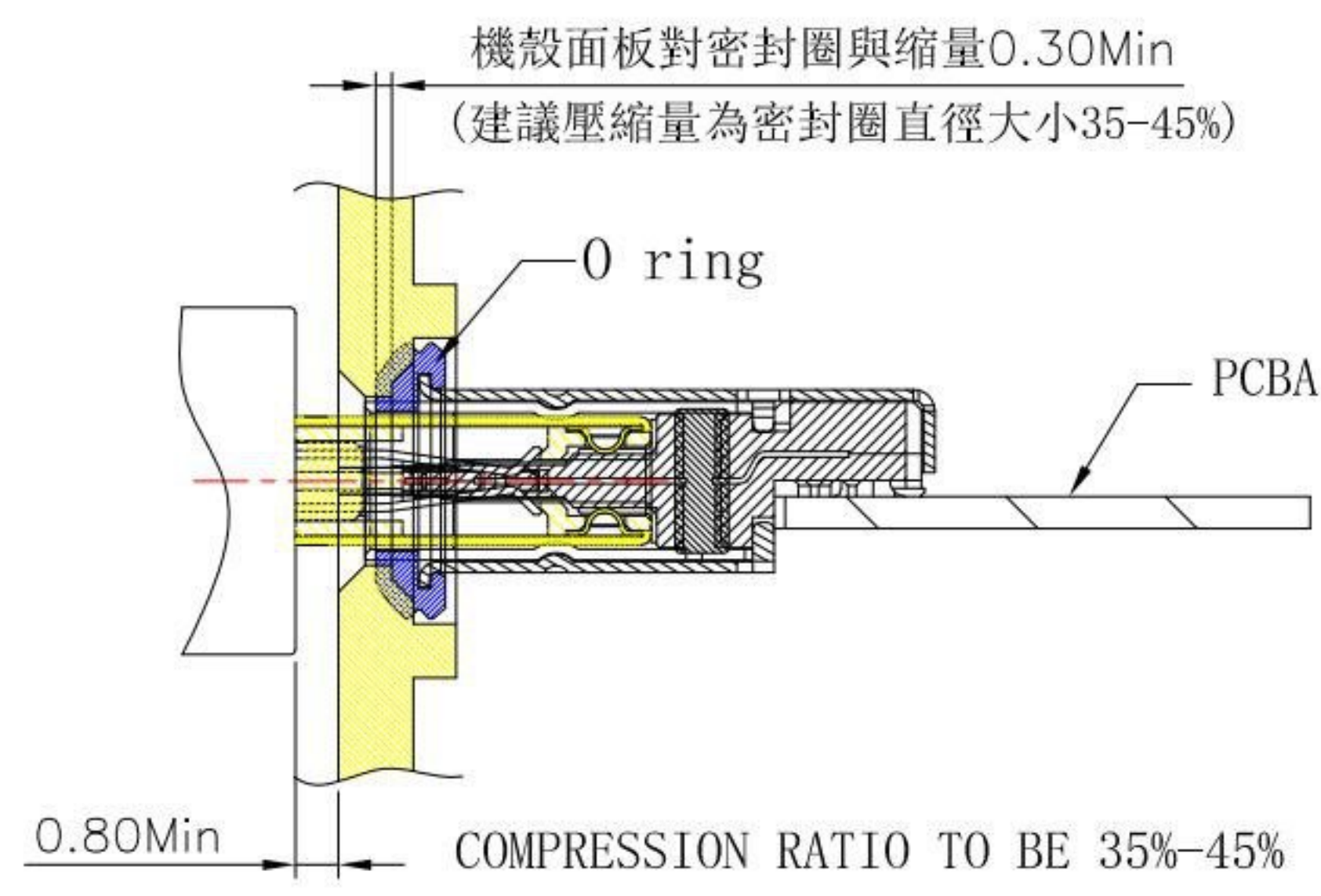
TOLERANCE UNLESS OTHERWISE STATED:  
Up to 5 ±0.2  
Above 5 ~ 15 ±0.3  
Above 15 ~ 30 ±0.4  
Above 30 ~ 50 ±0.5  
Angle ±0.3°

3RD. ANGEL'S

UNITS MM

DRAWN BY:	DATE	MAT'L	TITLE	CONNECTOR
Jack Lu	03/30/23		MODLE	USB 3.1 TYPE C 沉板式防水型 IPX7
CHECKED BY:	DATE	FINISH	DWG NO.	SHEET NO.
Jacky Chen	03/30/23		SBC-WP240M2-31x-S382	1 of 2
APPROVED BY:	DATE	SCALE	PART NO.	SIZE
Tony Kao	03/30/23	1 : 1	SBC-WP240M2-31x-S382	A4
				VER
				R5

# IPX7



5	更新樣式	Jack	033023
4	更新樣式	Jack	032023
3	更新材質	Jack	031723
2	新增防水膠圈料號	Jack	060321
1	新增IPX7標示	Jack	030618
ITEM NO.	DESCRIPTION	DRAWN	DATE

**KSD** 科斯达电子科技有限公司  
SWITCH CONNECTOR KSD ELECTRONIC TECHNOLOGY Co., LTD  
全球 互聯零組件製造企業

TOLERANCE UNLESS OTHERWISE STATED:  
 Up to 5  $\pm 0.2$   
 Above 5 ~ 15  $\pm 0.3$   
 Above 15 ~ 30  $\pm 0.4$   
 Above 30 ~ 50  $\pm 0.5$   
 Angle  $\pm 0.3^\circ$

3RD. ANGEL'S UNITS MM

DRAWN BY:	DATE	MAT'L	TITLE	CONNECTOR
Jack Lu	03/30/23		MODLE	USB 3.1 TYPE C 沉板式防水型 IPX7
CHECKED BY:	DATE	FINISH	DWG NO.	SBC-WP240M2-31x-S382
Jacky Chen	03/30/23		PART NO.	SBC-WP240M2-31x-S382
APPROVED BY:	DATE	SCALE	2 of 2	
Tony Kao	03/30/23			
SHEET NO.				SIZE A4
				VER R4