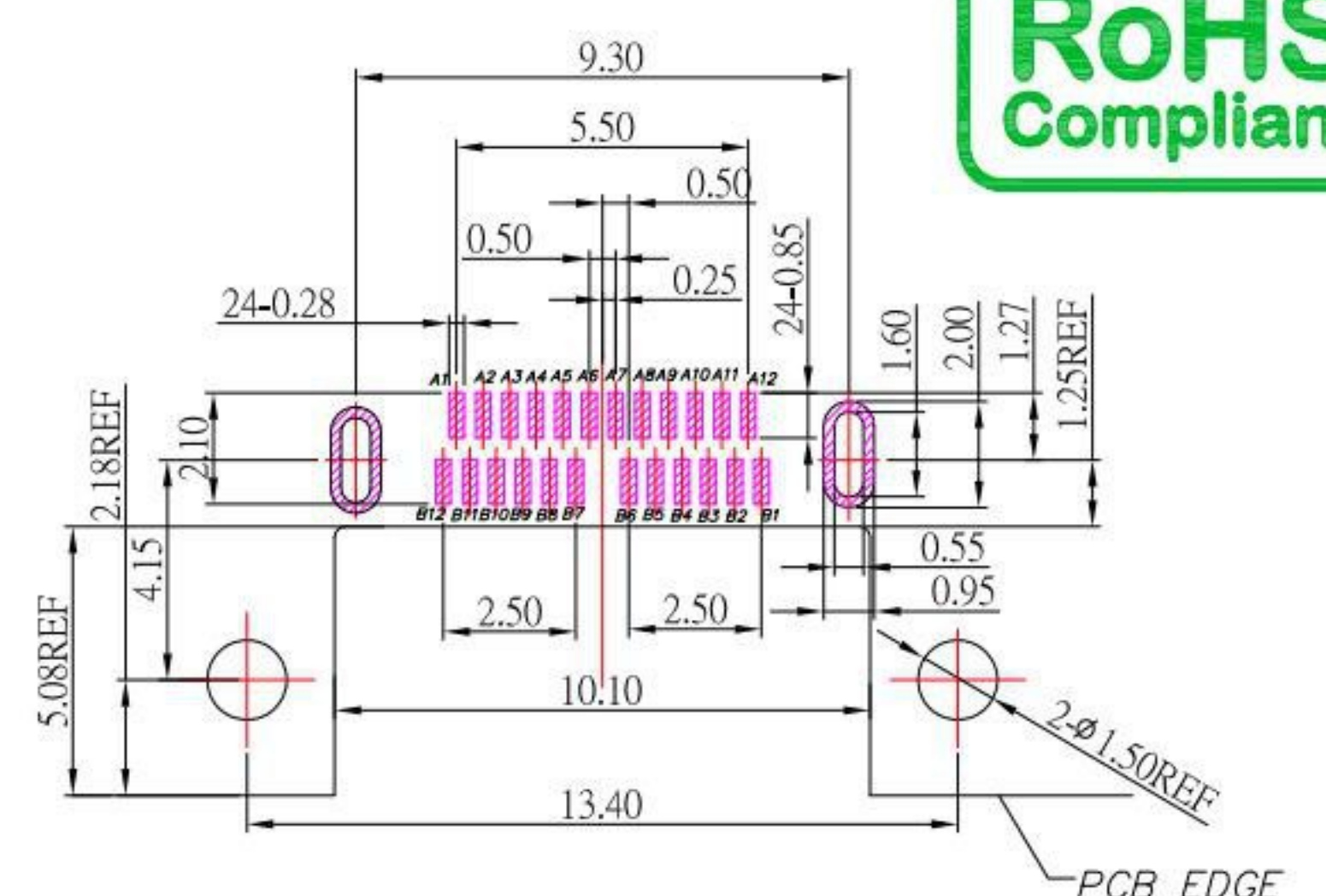
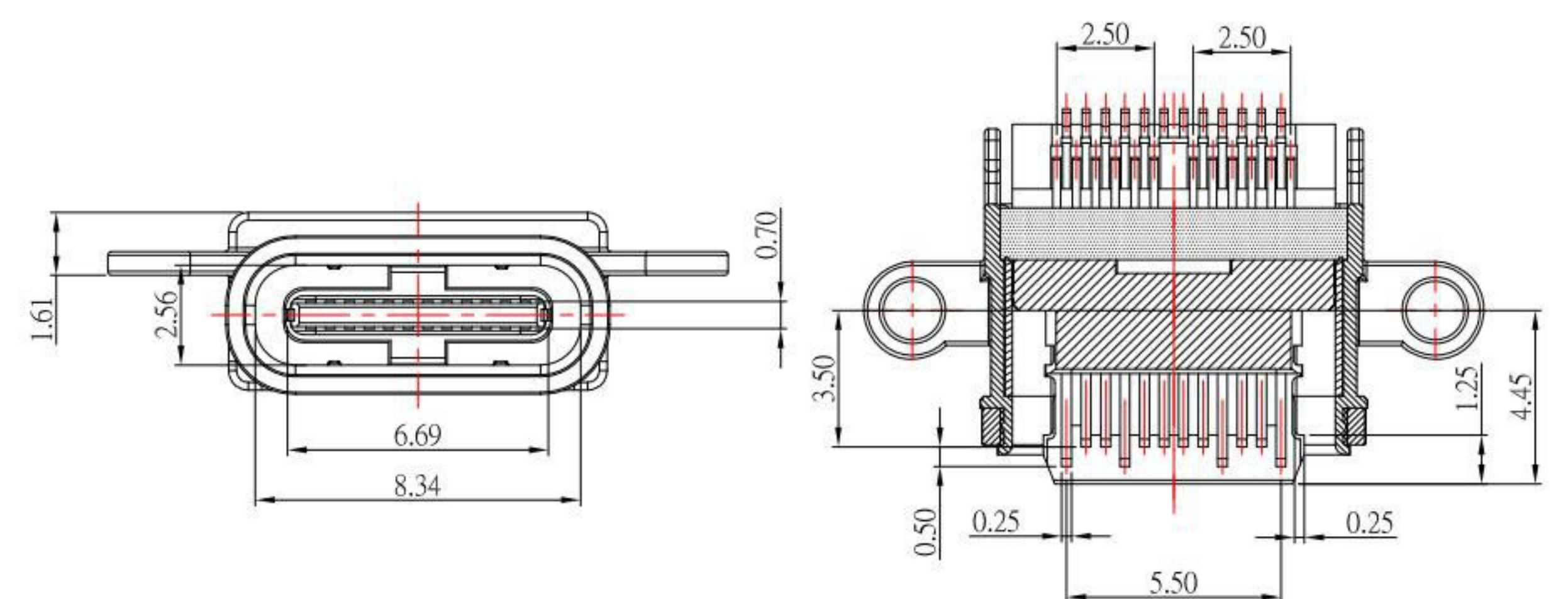
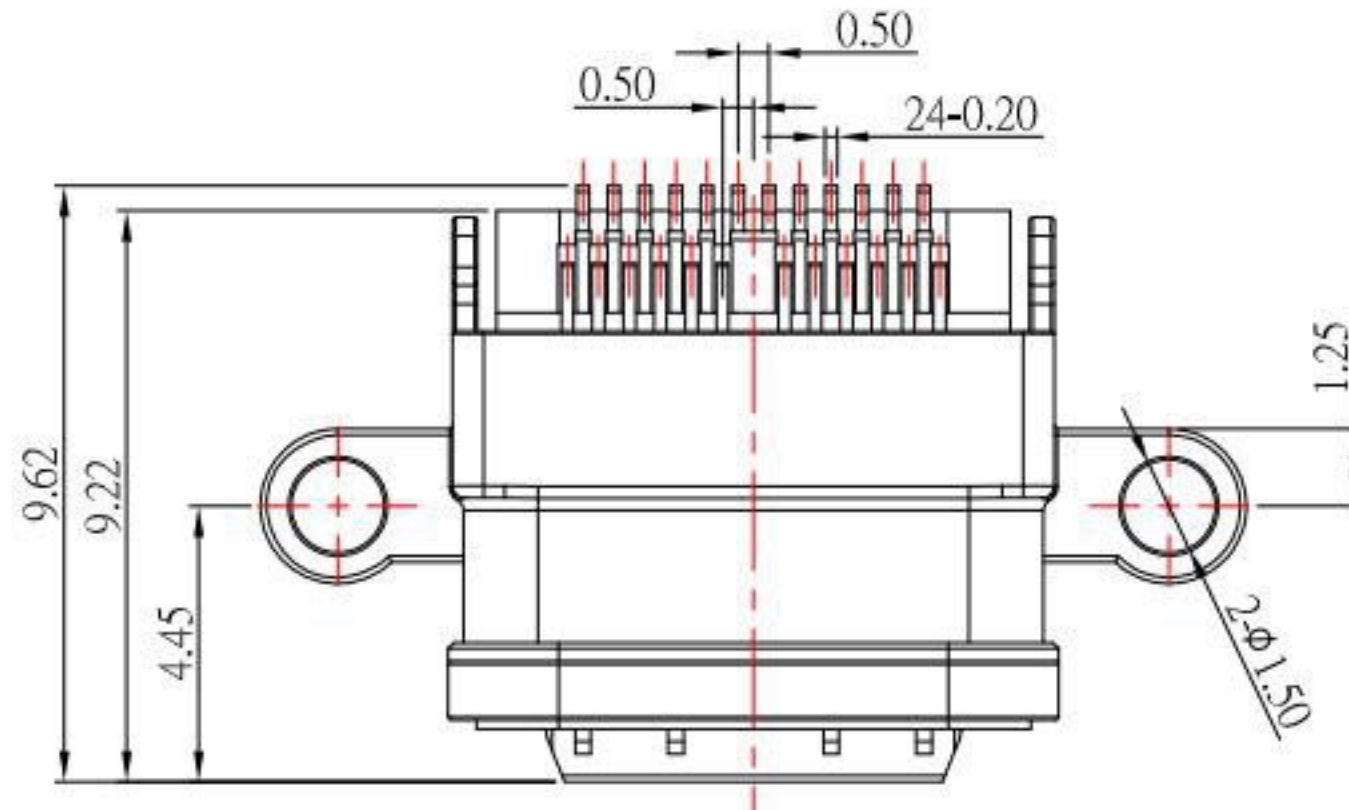
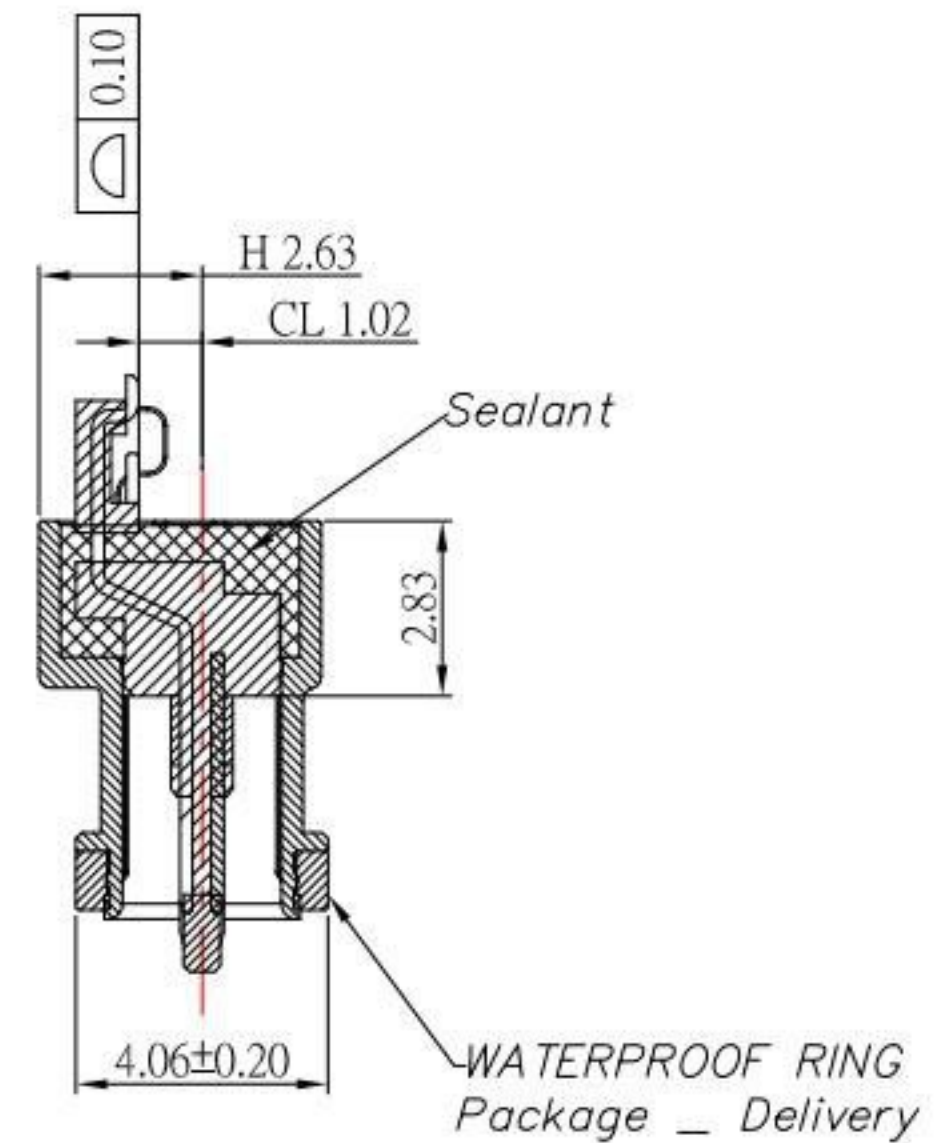
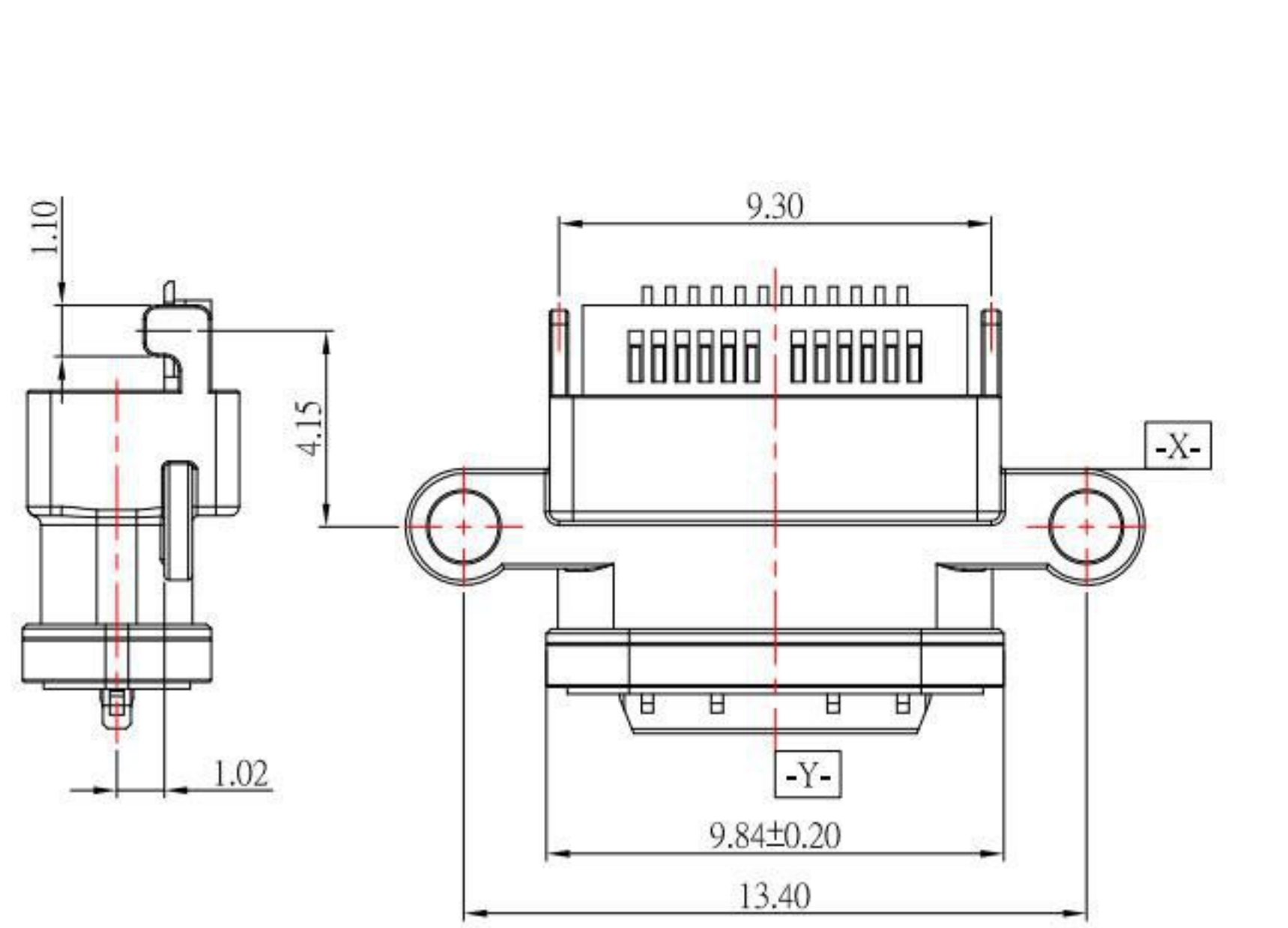
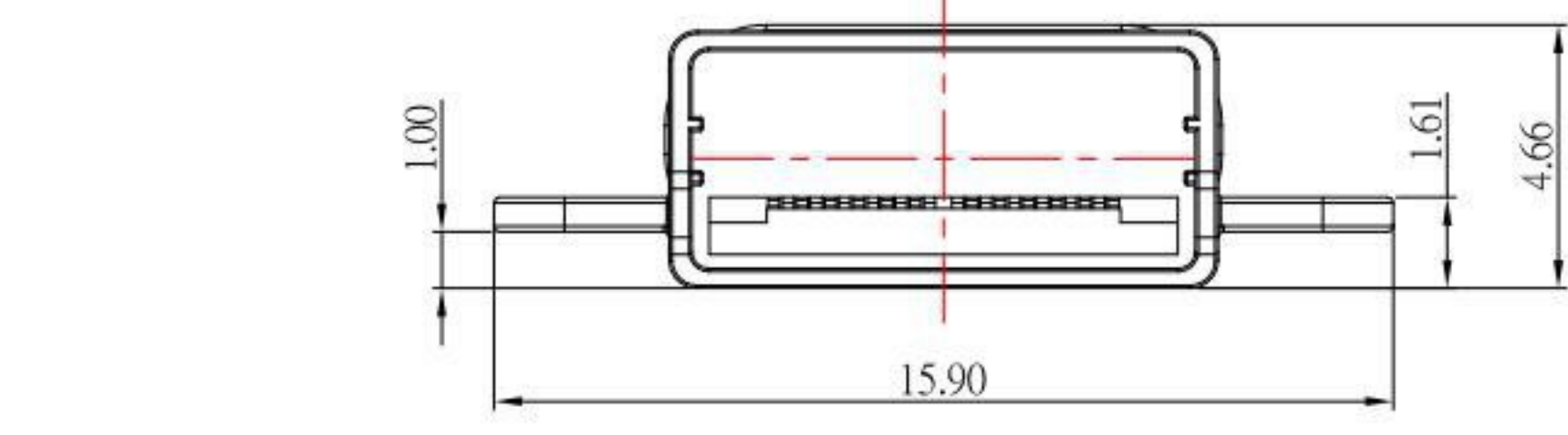




SBC-WP240M4-31x-S338

鍍層厚度：
Blank : 1u"
2 : 15u"
3 : 30u"



P.C.B LAYOUT MOUNTING PATTERN

SPECIFICATIONS

- Electrical:**
1. Rating: 3.0A , 5.0V
 2. Contact Resistance: 40 mΩ Max
 3. Insulation Resistance: 100 MΩ Min
 4. Dielectric Withstanding Voltage: 100V AC

- Mechanical:**
1. Connector Mate and Unmate Force
 - 1.1 Mate force: 5~20 N
 - 1.2 Unmate force: 8~20 N

- Material:**
1. Housing: High-Temp Plastic
 2. Contact: Copper Alloy
 3. Shell: SUS

- Finish:**
1. Contact: Plated Gold in Mating Area ;
Gold Plated on Solder Balls ;
Nickel under plated overall
 2. Shell: Nickel under Plated surface layer

USB TYPE-C FULL-FEATURED RECEPTACLE INTERFACE PIN ASSIGNMENTS					
PIN	Signal Name	Description	PIN	Signal Name	Description
A1	GND	Ground return	B12	GND	Ground return
A2	SSTxp1	Positive half of first SuperSpeed TX differential pair	B11	SSRXp1	Positive half of first SuperSpeed RX differential pair
A3	SSTxm1	Negative half of first SuperSpeed TX differential pair	B10	SSRXm1	Negative half of first SuperSpeed RX differential pair
A4	Vbus	Bus Power	B9	VBUS	Bus Power
A5	CC1	Configuration Channel	B8	SBU2	Sideband Use (SBU)
A6	Dp1	Positive half of the USB 2.0 differential pair-Position 1	B7	Dn2	Negative half of the USB 2.0 differential pair-Position 2
A7	Dn1	Negative half of the USB 2.0 differential pair-Position 1	B6	Dp2	Positive half of the USB 2.0 differential pair-Position 2
A8	SBU1	Sideband Use (SBU)	B5	CC2	Configuration Channel
A9	VBUS	Bus Power	B4	VBUS	Bus Power
A10	SSRXm2	Negative half of second SuperSpeed RX differential pair	B3	SSTxm2	Negative half of second SuperSpeed TX differential pair
A11	SSRXp2	Positive half of second SuperSpeed RX differential pair	B2	SSTxp2	Positive half of second SuperSpeed TX differential pair
A12	GND	Ground return	B1	GND	Ground return

KSD 科斯达电子科技有限公司
SWITCH CONNECTOR KSD ELECTRONIC TECHNOLOGY Co., LTD
全球 互聯零組件 制造企业

TOLERANCE UNLESS OTHERWISE STATED:
Up to 5 ±0.2
Above 5 ~ 15 ±0.3
Above 15 ~ 30 ±0.4
Above 30 ~ 50 ±0.5
Angle ±0.3°

3RD. ANGEL'S

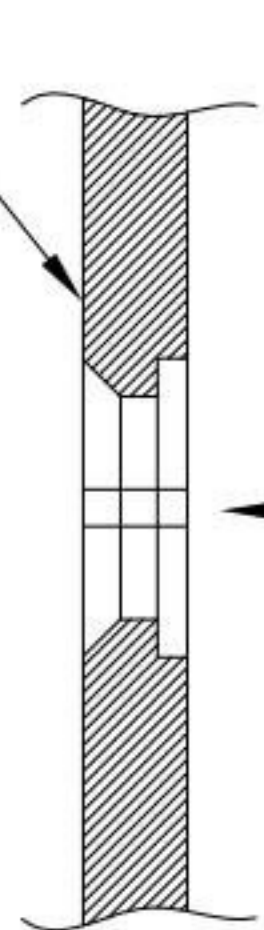
UNITS MM

DRAWN BY:	DATE	MAT'L	TITLE	CONNECTOR
Jack Lu	03/23/22		MODLE	USB 3.1 TYPE C 沉板式防水型 CL1.02
CHECKED BY:	DATE	FINISH	DWG NO.	SBC-WP240M4-31x-S338
Jacky Chen	03/23/22		PART NO.	SBC-WP240M4-31x-S338
APPROVED BY:	DATE	SCALE	SHEET NO.	1 of 2
Tony Kao	03/23/22	1 : 1		

ITEM NO.	DESCRIPTION	DRAWN	DATE
2	更新PCB LAYOUT尺寸	Jack	032322
1	新增PCB LAYOUT尺寸和O-RING	Jack	032222

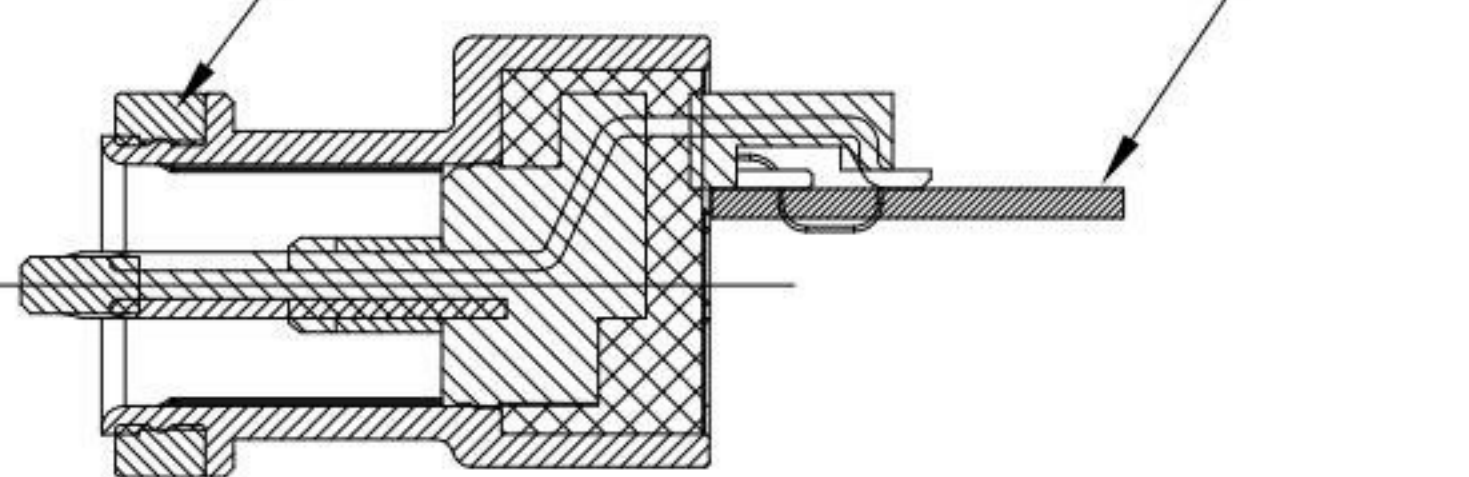


Shell panel



seal ring

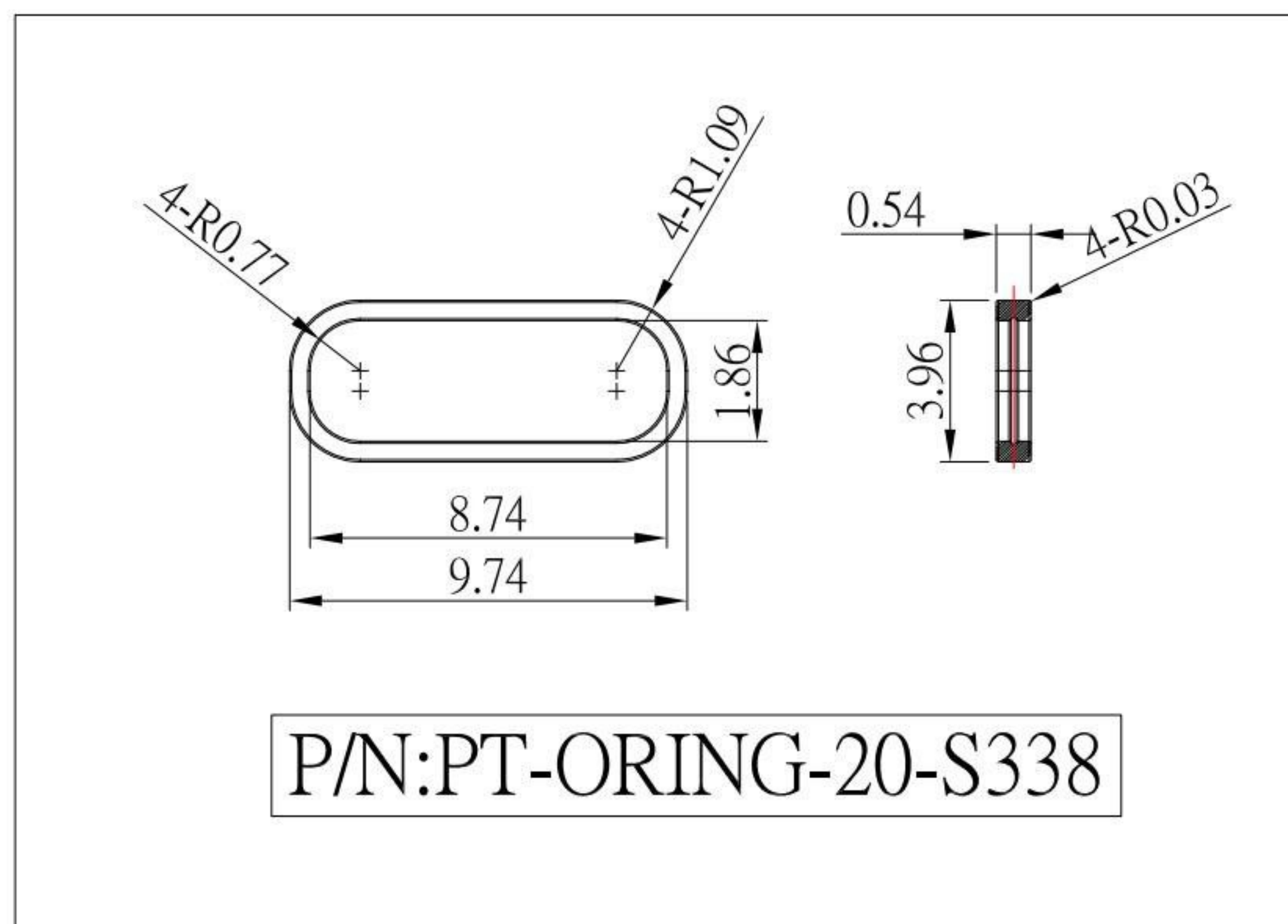
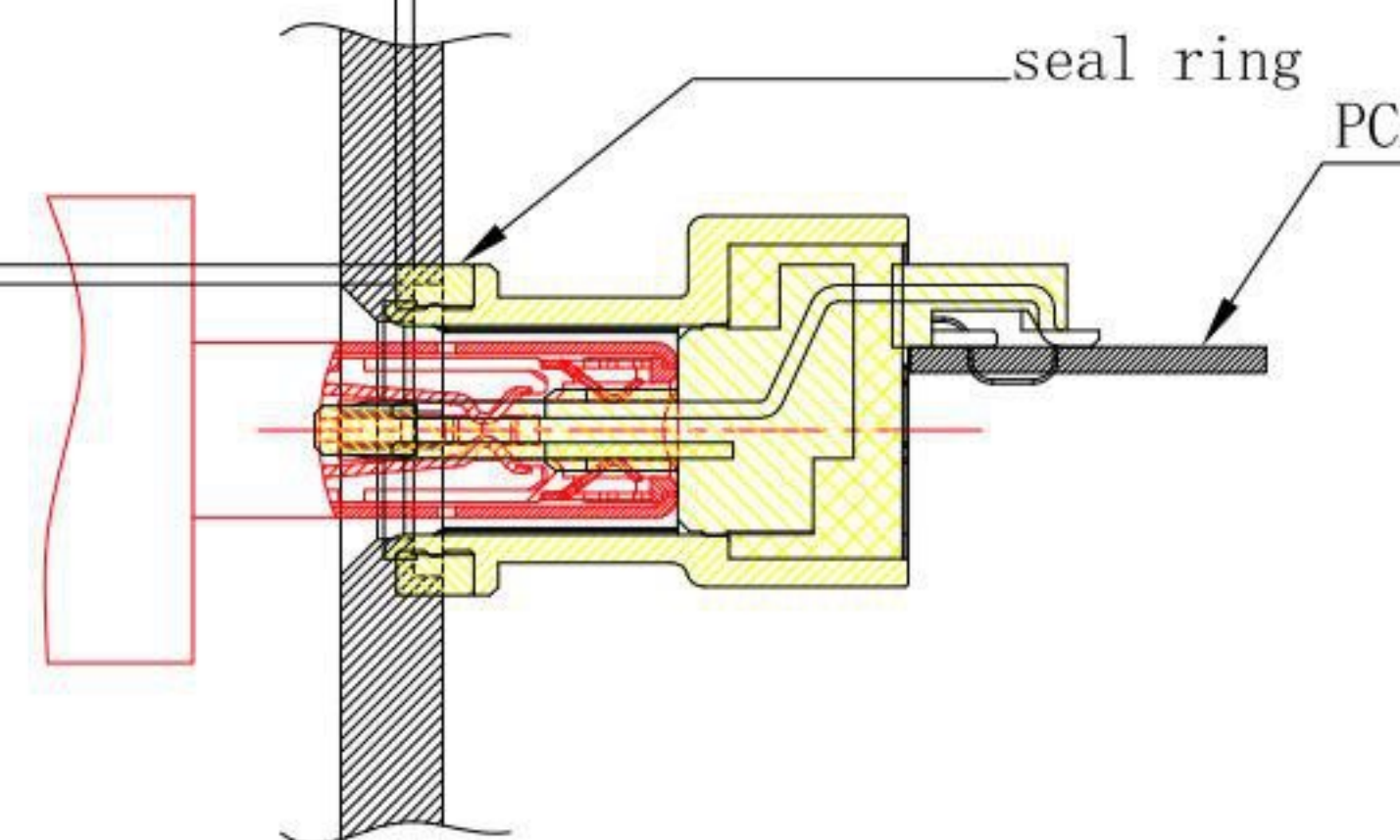
PCB



Front and rear assembly mode

Shell panel to seal ring and reduction 0.55min
(recommended compression is 40-50% of seal ring diameter)

Shell panel to seal ring and reduction 0.55min
(recommended compression is 40-50% of seal ring diameter)

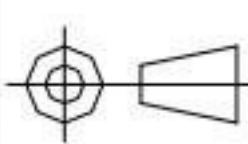


P/N:PT-ORING-20-S338

KSD 科斯达电子科技有限公司
SWITCH CONNECTOR KSD ELECTRONIC TECHNOLOGY Co., LTD
全球 互联零组件制造企业

TOLERANCE UNLESS OTHERWISE STATED: Up to 5 ±0.2, Above 5 ~ 15 ±0.3, Above 15 ~ 30 ±0.4, Above 30 ~ 50 ±0.5, Angle ±0.3°

3RD. ANGEL'S



UNITS MM

DRAWN BY:	DATE	MAT'L	TITLE	CONNECTOR
Jack Lu	03/23/22		MODLE	USB 3.1 TYPE C 沉板式防水型 CL1.02
CHECKED BY:	DATE	FINISH	DWG NO.	SBC-WP240M4-31x-S338
Jacky Chen	03/23/22		PART NO.	SBC-WP240M4-31x-S338
APPROVED BY:	DATE	SCALE	SHEET NO.	2 of 2
Tony Kao	03/23/22	1 : 1		

2	更新PCB LAYOUT尺寸	Jack	032322
1	新增PCB LAYOUT尺寸和O-RING	Jack	032222
ITEM NO.	DESCRIPTION	DRAWN	DATE