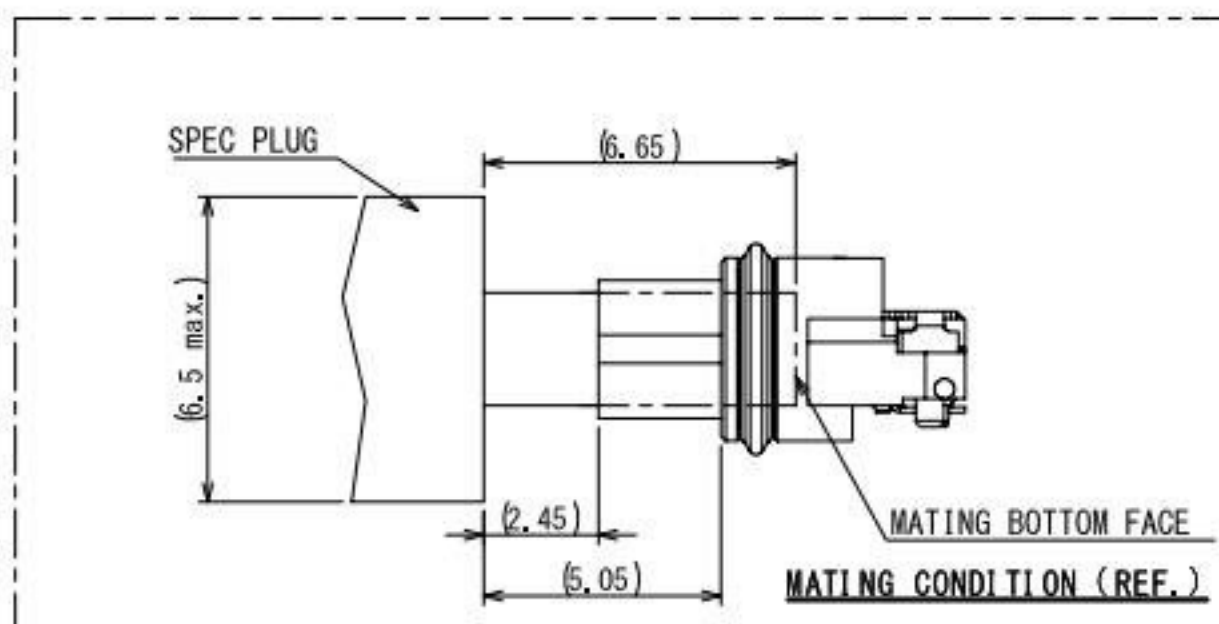
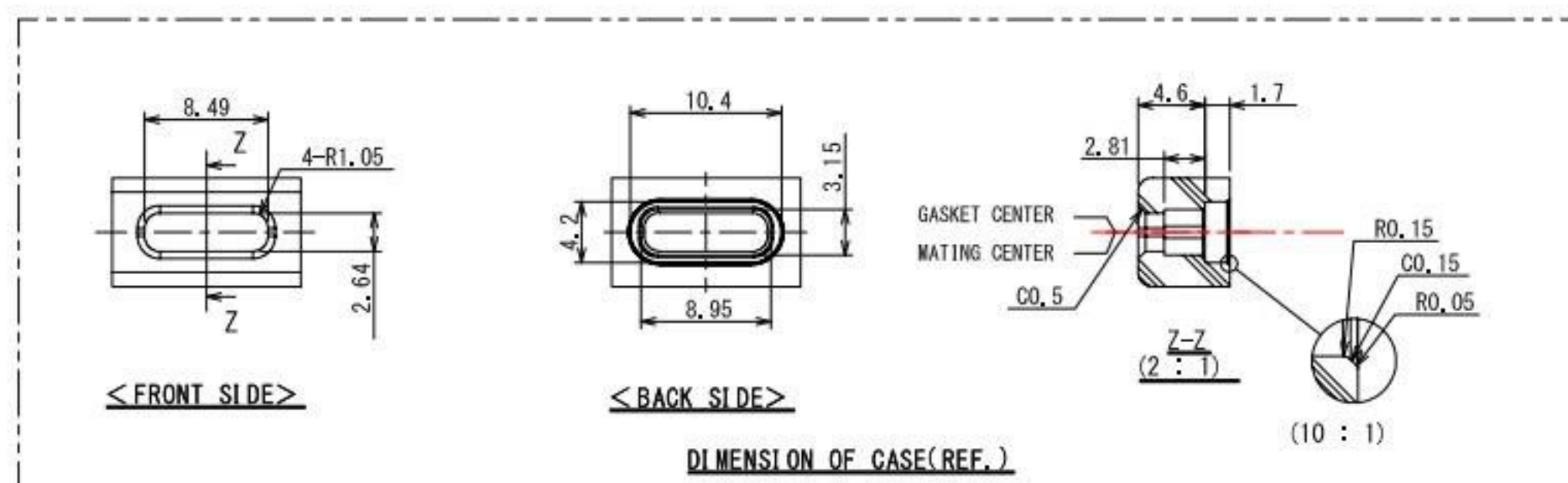
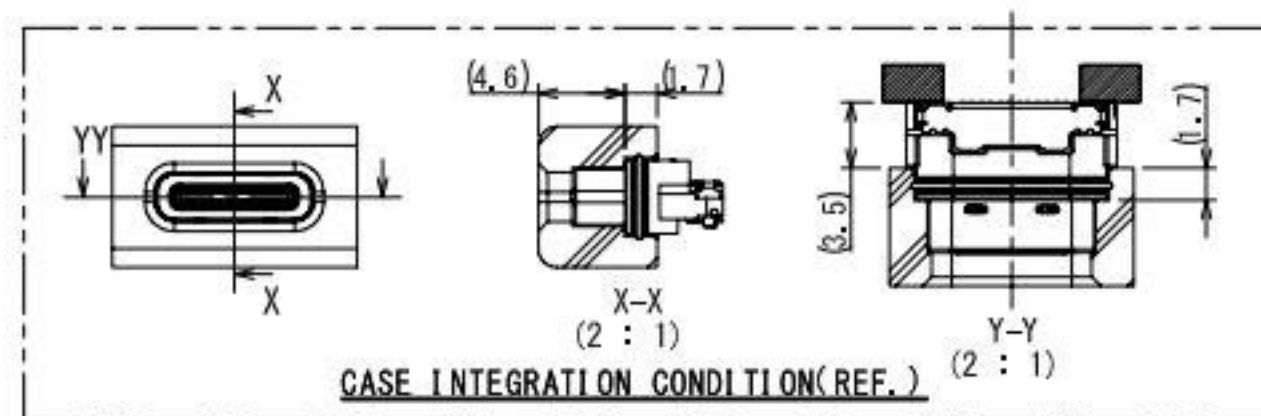
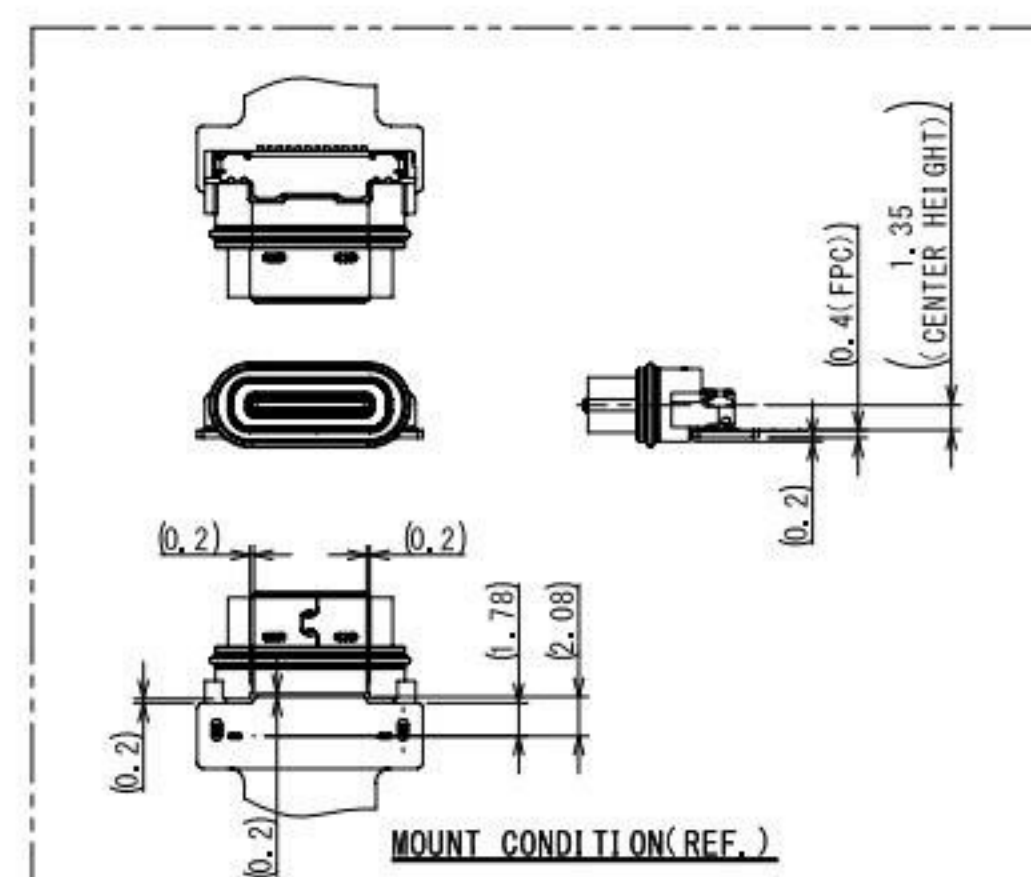
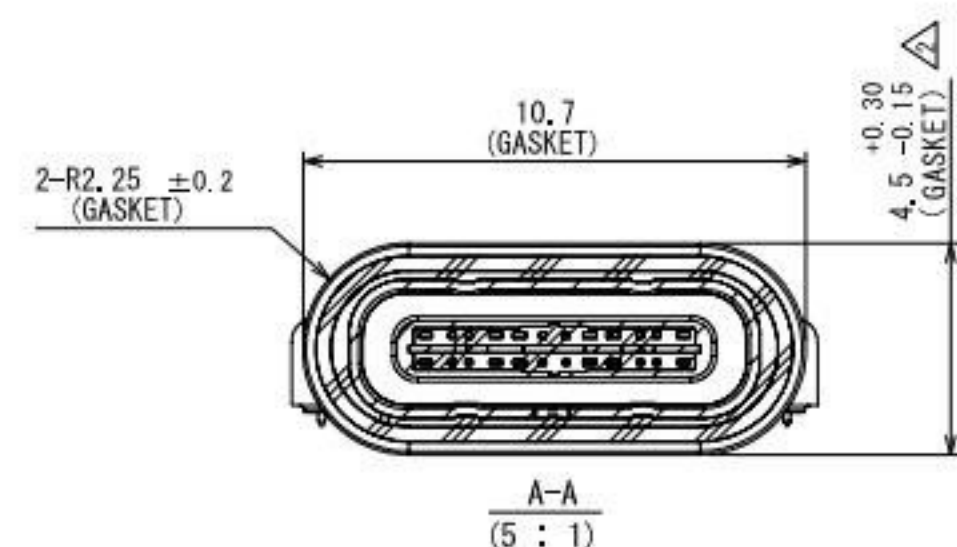
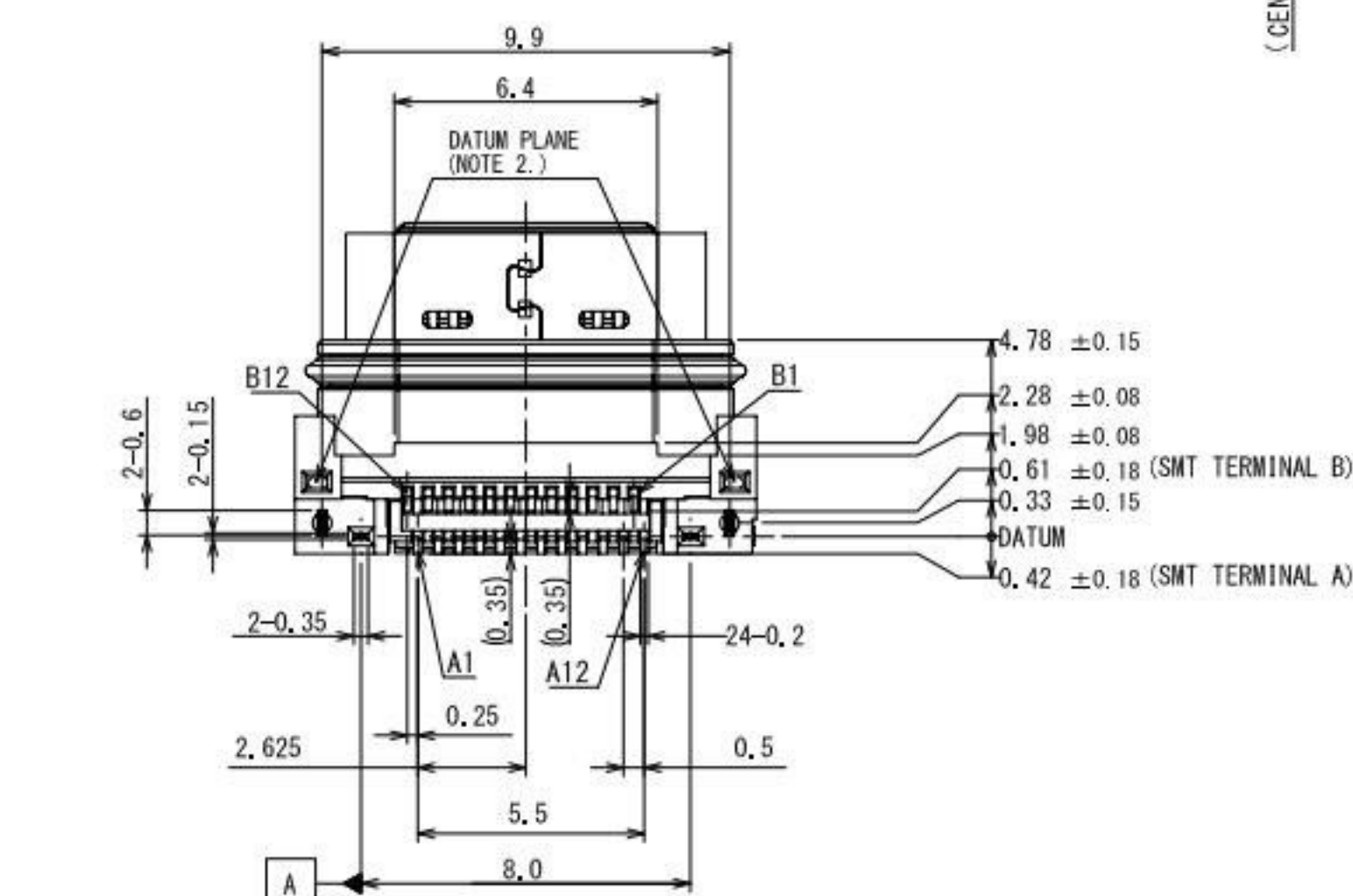


P.C.B LAYOUT MOUNTING PATTERN

Pin No.	A1	A2	A3	A4	A5	A6	A7	A8	A9	A10	A11	A12
	GND	TX1+	TX1-	V <sub>BUS</sub>	CC1	D+	D-	SBU1	V <sub>BUS</sub>	RX2-	RX2+	GND
Pin No.	B12	B11	B10	B9	B8	B7	B6	B5	B4	B3	B2	B1
	GND	RX1+	RX1-	V <sub>BUS</sub>	SBU2	D-	D+	CC2	V <sub>BUS</sub>	TX2-	TX2+	GND



8	REAR SHIELD	1	STAINLESS STEEL	NICKEL PLATING	-
7	GASKET	1	SILICONE RUBBER	-	COLOR:RED
6	SHELL	1	STAINLESS STEEL	-	-
5	MID PLATE	1	STAINLESS STEEL	NICKEL PLATING	-
4	CONTACT B	12	COPPER ALLOY	CONTACT AREA: GOLD OVER NICKEL	CONTACT AREA: NICKEL: 1 μm MIN
3	CONTACT A	12		SOLDER TAILS: GOLD FLASH OVER NICKEL	GOLD : 0.1 μm MIN
2	SUB ASSEMBLY INSERT MOLD	1	HEAT RESISTING PLASTIC	-	COLOR:BLACK
1	MID PLATE INSERT MOLD	1	HEAT RESISTING PLASTIC	-	COLOR:BLACK
序号	名称	数量	材料	加工	备注
DESCRIPTION		QTY.	MATERIAL	FINISH	REMARKS

**KSD 科斯达电子科技有限公司**  
SWITCH CONNECTOR KSD ELECTRONIC TECHNOLOGY Co., LTD

全球 互 联 零 组 件 制 造 企 业  
TOLERANCE UNLESS OTHERWISE STATED:  
Up to 5 ±0.2  
Above 5 ~ 15 ±0.3  
Above 15 ~ 30 ±0.4  
Above 30 ~ 50 ±0.5  
Angle ±0.3°

3RD. ANGEL'S



UNITS

MM

DRAWN BY: Jack Lu  
DATE: 08/13/21  
CHECKED BY: Jacky Chen  
DATE: 08/13/21  
APPROVED BY: Tony Kao  
DATE: 08/13/21

MAT'L: FINISH: SCALE: 1:1 SHEET NO.: 1 of 2  
TITLE: CONNECTOR  
MODLE: TYPE CF 3.2 板上SMT 防水型  
DWG NO.: SBC-WP240S4-31-S439  
PART NO.: SBC-WP240S4-31-S439

SIZE: A4  
VER: R