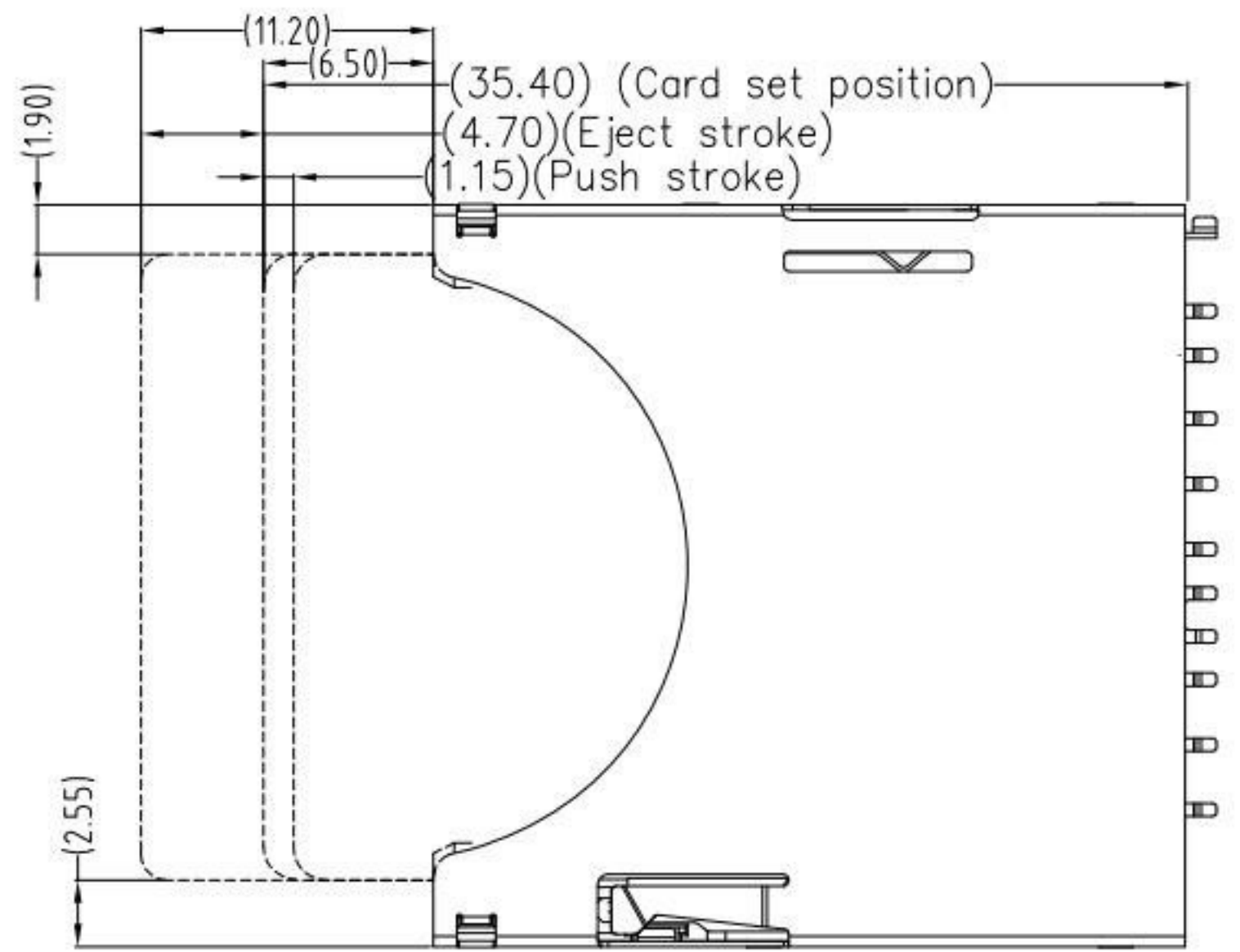
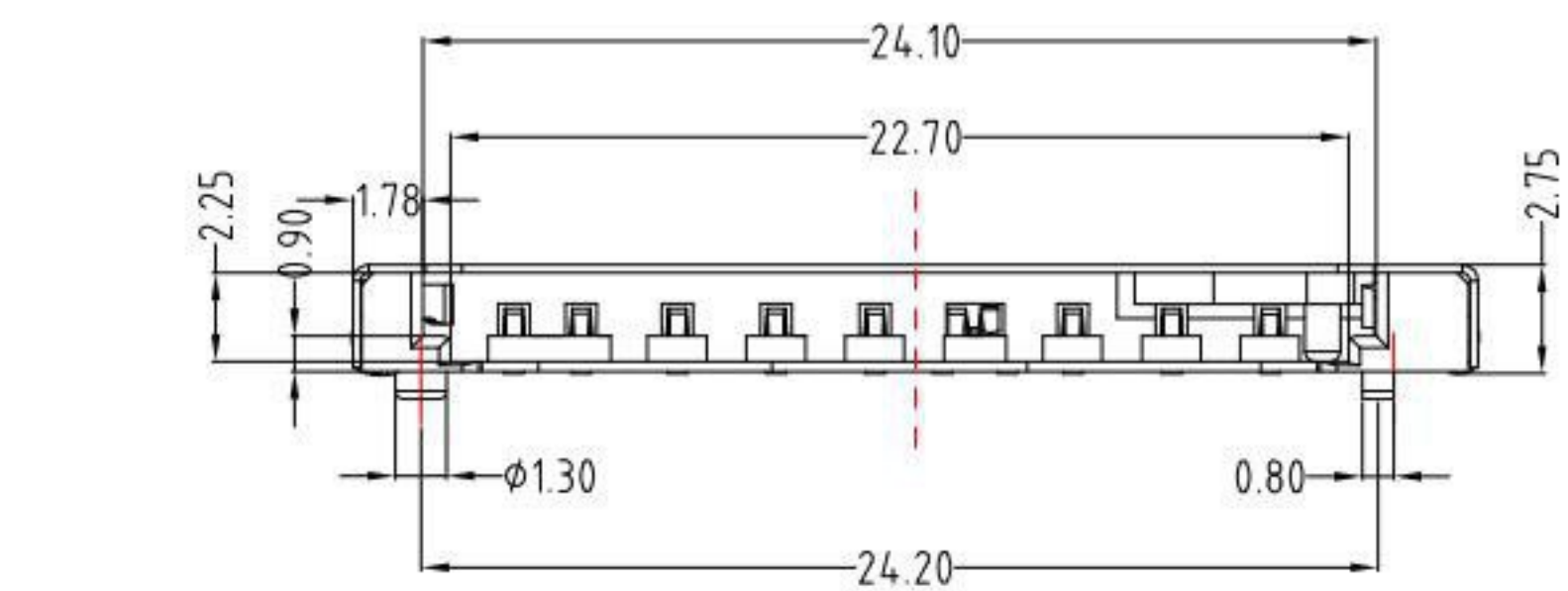
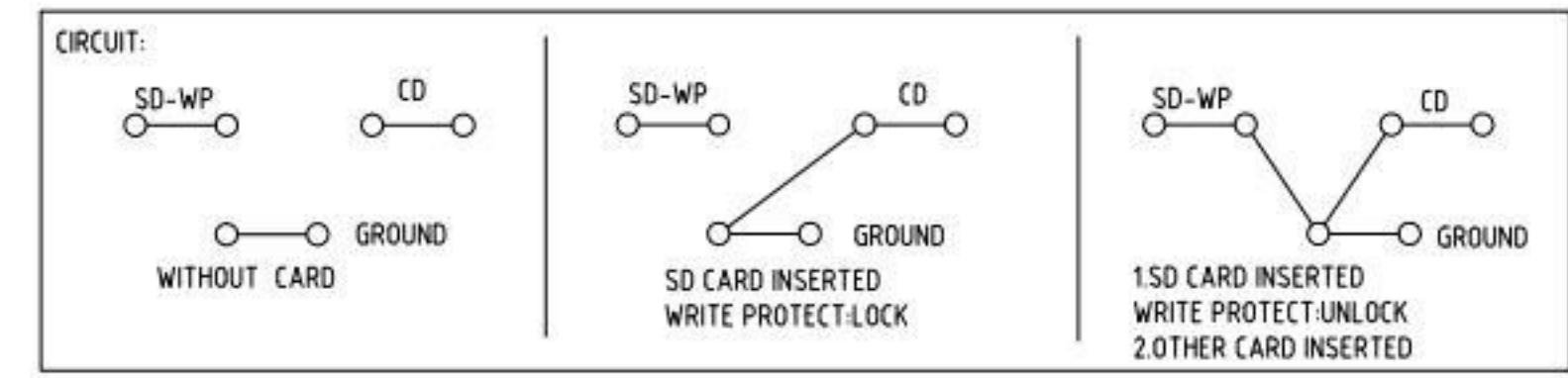


PCB LAYOUT

Pin No.	SD	MMC
P1	MMC-DAT SD-DAT3	1P 7P
P2	MMC-CMD SD-CMD	2P 2P
P3	MMC-VSS1 SD-VSS1	接地 3P 3P
P4	MMC-VDD SD-VDD	4P 4P
P5	MMC-CLK SD-CLK	5P 5P
P6	MMC-VSS2 SD-VSS2	接地 6P 6P
P7	MMC-DAT SD-DAT0	7P 1P
P8	SD-DAT1	8P
P9	SD-DAT2	9P



SPECIFICATION

- Electrical :
- 1.Current Rating: 0.5mA AC / DC Max
  - 2.Voltage Rating: 125V AC / DC
  - 3.Contact Resistance: 100 mΩ Max.
  - 4.Insulation Resistance: 1,000 MΩ Min.
- Environmental:
- 1.Operating Temperature: -20°C ~ +90°C.

Material:

- 1.Housing: LCP,Black
  - 2.Contact: Phosphor Bronze
  - 3.Shell: SUS
- Finish:
- 1.Contact: Plated Gold in Mating Area ;  
Tin Plated on Solder Balls ;  
Nickel under plated overall
  - 2.Shell: Nickel under Plated surface layer

**KSD** 科斯达电子科技有限公司  
SWITCH CONNECTOR 全球 互联零组件制造企业  
**KSD ELECTRONIC TECHNOLOGY Co., LTD**

TOLERANCE UNLESS OTHERWISE STATED :

Up to 5	±0.2
Above 5 ~ 15	±0.3
Above 15 ~ 30	±0.4
Above 30 ~ 50	±0.5
Angle	±0.3

3RD. ANGEL'S

DRAWN BY:	DATE	MAT'L	TITLE	CONNECTOR
Jack Lu	06/24/19			
CHECKED BY:	DATE	FINISH	MODLE	CARD CONNECTOR
Jacky Chen	06/24/19			
APPROVED BY:	DATE	SCALE	DWG NO.	SD-001-001-S267
Tony Kao	06/24/19	1 : 1		
		SHEET NO.	PART NO.	SD-001-001-S267
		1 of 1		

ITEM NO.	DESCRIPTION	DRAWN	DATE
2	更新圖面	Jack	062419
1	更新圖面	Jack	081018