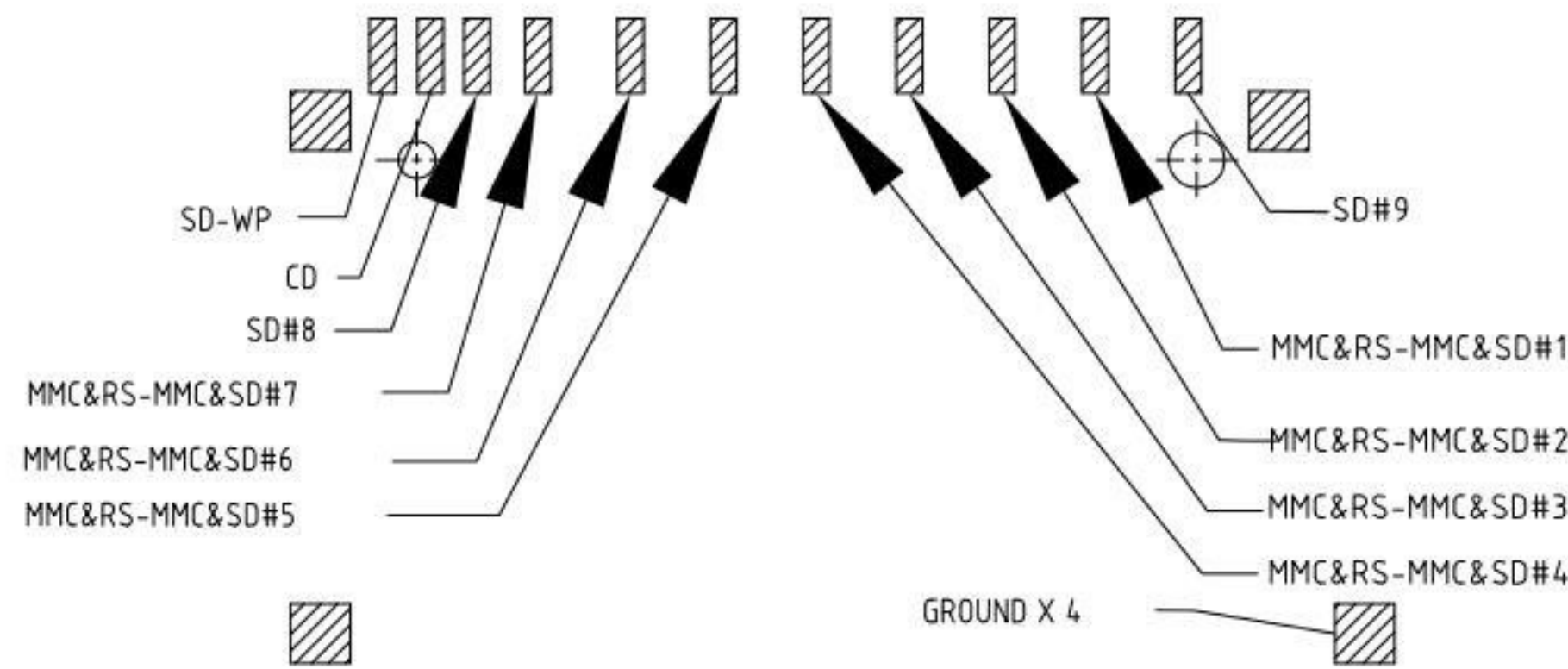
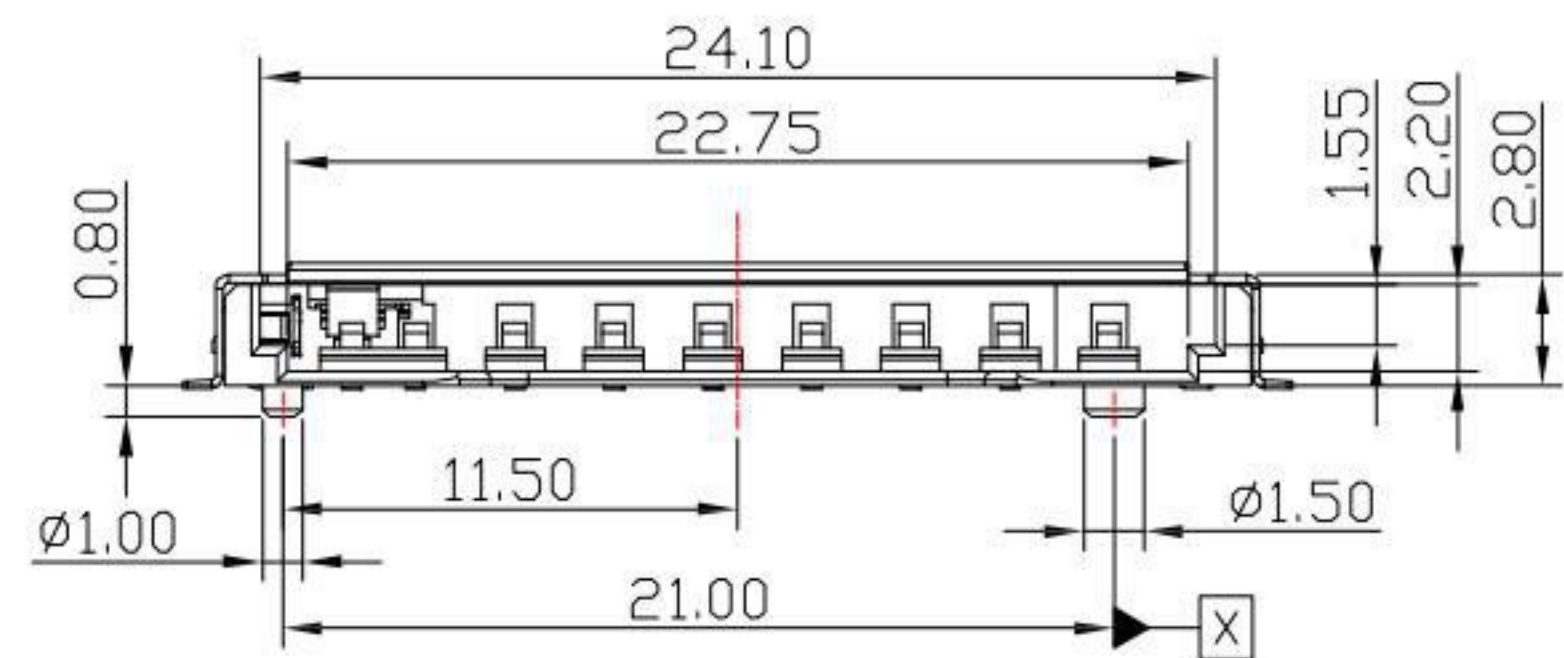


RECOMMEND PCB LAYOUT



PIN NO.	MEMORY CARD PIN NO.
MMC&RS-MMC&SD#1	MMC&RS-MMC/SD-1 (CD/DAT3)
MMC&RS-MMC&SD#2	MMC&RS-MMC/SD-2 (CMD)
MMC&RS-MMC&SD#3	MMC&RS-MMC/SD-3 (VSS1)
MMC&RS-MMC&SD#4	MMC&RS-MMC/SD-4 (VDD)
MMC&RS-MMC&SD#5	MMC&RS-MMC/SD-5 (CLK)
MMC&RS-MMC&SD#6	MMC&RS-MMC/SD-6 (VSS2)
MMC&RS-MMC&SD#7	MMC&RS-MMC/SD-7 (DAT0)
SD#8	SD-8 (DAT1)
SD#9	SD-9 (DAT2)

PIN ASSIGNMENT

SPECIFICATION

Electrical :

- 1.Current Rating: 0.5mA AC / DC Max
- 2.Voltage Rating: 125V AC / DC
- 3.Contact Resistance: 100 mΩ Max.
- 4.Insulation Resistance: 1,000 MΩ Min.

Environmental:

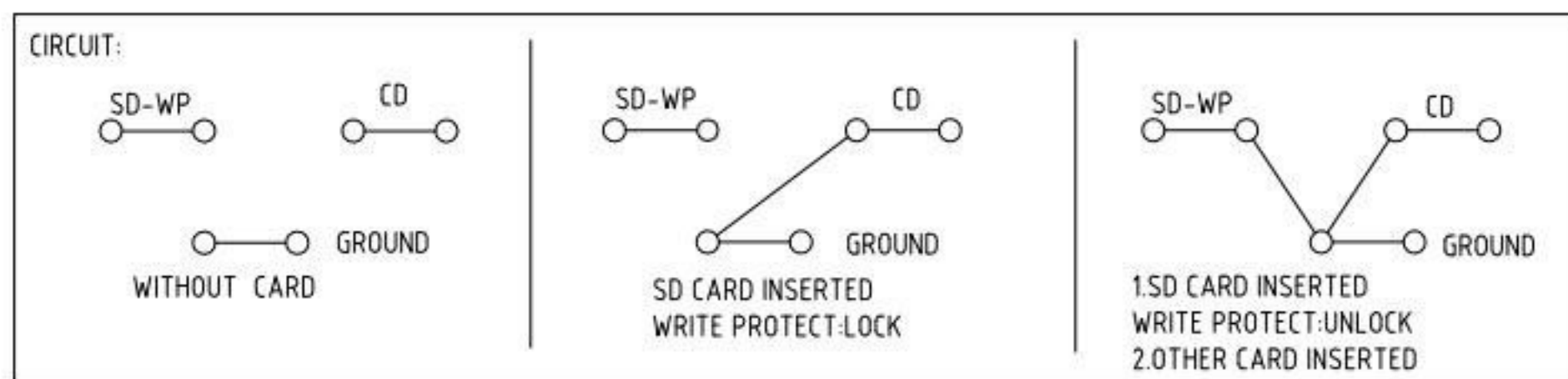
- 1.Operating Temperature: -20°C ~ +60°C.

Material:

- 1.Housing: High Temperature Thermal Plastics,UL 94V-0
- 2.Contact: Copper Alloy
- 3.Shell: Stainless Steel

Finish:

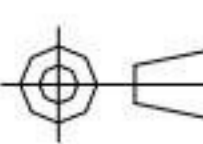
- 1.Contact: Plated Gold in Mating Area ;
Tin Plated on Solder Balls ;
Nickel under plated overall
- 2.Shell: Nickel under Plated surface layer



KSD 科斯达电子科技有限公司
SWITCH CONNECTOR KSD ELECTRONIC TECHNOLOGY Co., LTD
全球 互联零组件制造企业

TOLERANCE UNLESS OTHERWISE STATED :
Up to 5 ±0.2
Above 5 ~ 15 ±0.3
Above 15 ~ 30 ±0.4
Above 30 ~ 50 ±0.5
Angle ±0.3

3RD. ANGEL'S



UNITS MM

DRAWN BY: Jack Lu DATE: 09/06/18
CHECKED BY: Jacky Chen DATE: 09/06/18
APPROVED BY: Tony Kao DATE: 09/06/18

MAT'L	TITLE	CONNECTOR
FINISH	MODLE	SD Card 短體
SCALE 1:1	DWG NO.	SD-381200-S304
SHEET NO. 1 of 1	PART NO.	SD-381200-S304

ITEM NO.	DESCRIPTION	DRAWN	DATE
4	更新PCB LAYOUT尺寸	Jack	090618
3	新增插卡尺寸	Jack	081618
2	更新尺寸	Jack	050417
1	更新料號	Jack	050217