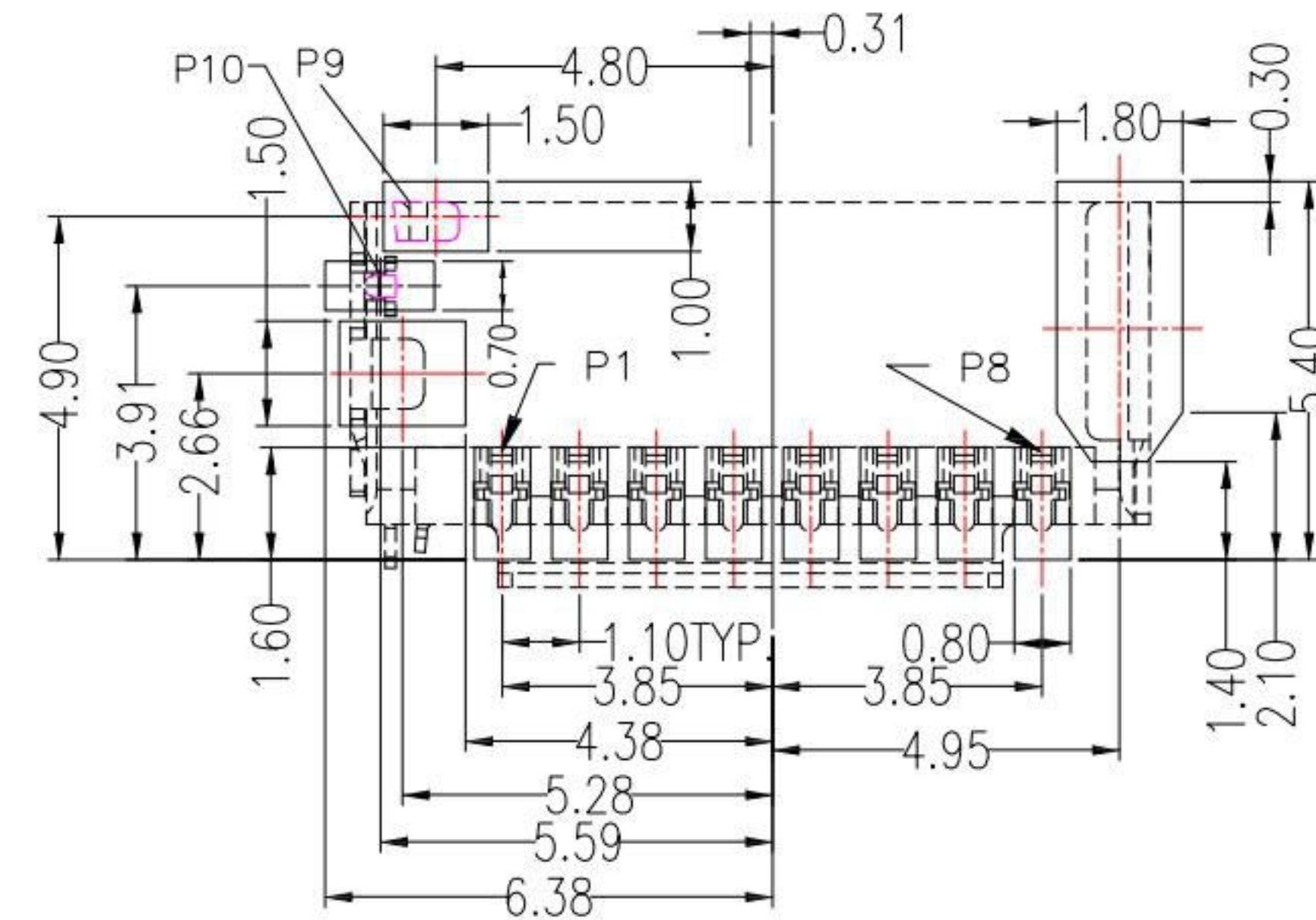
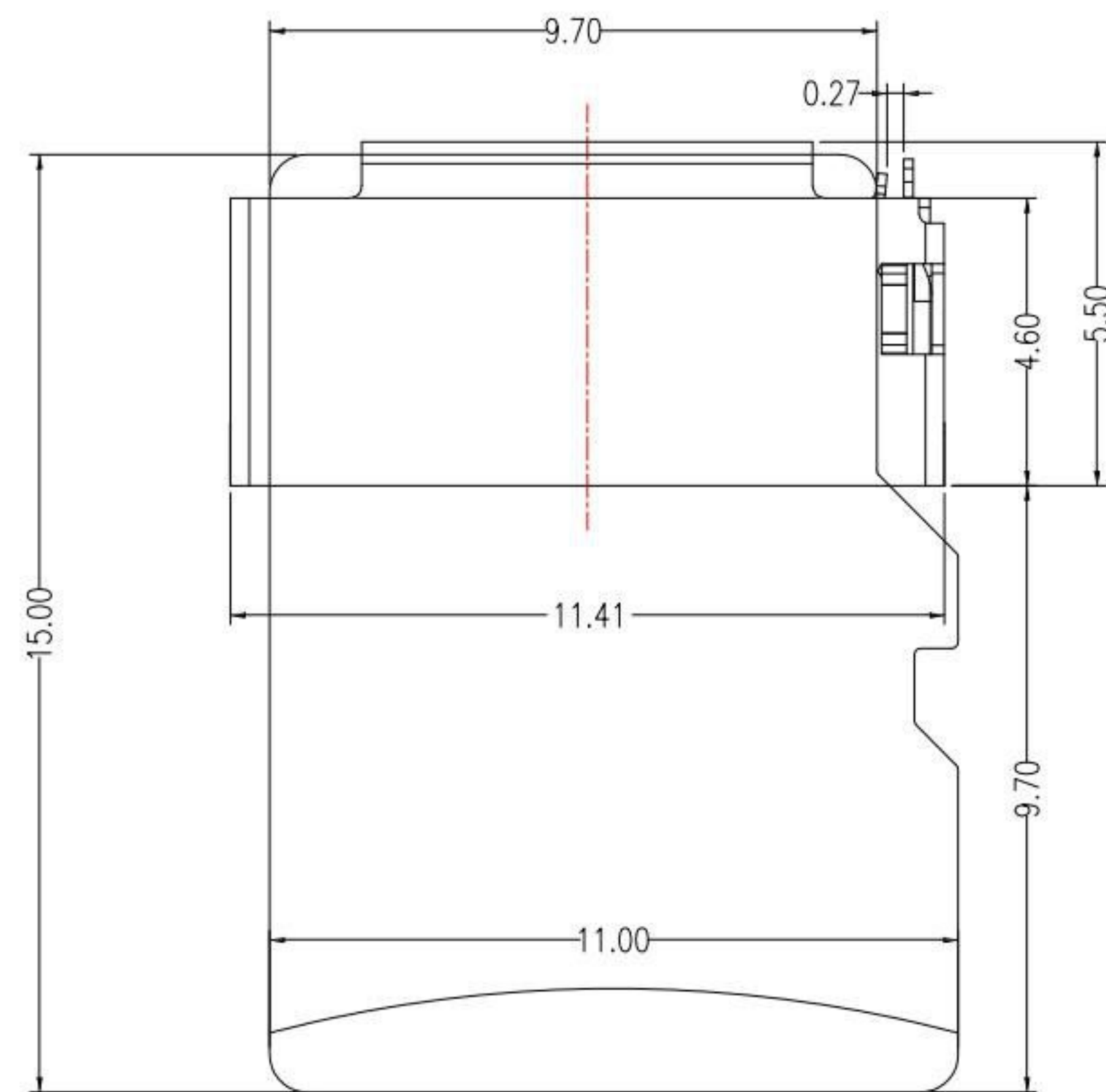


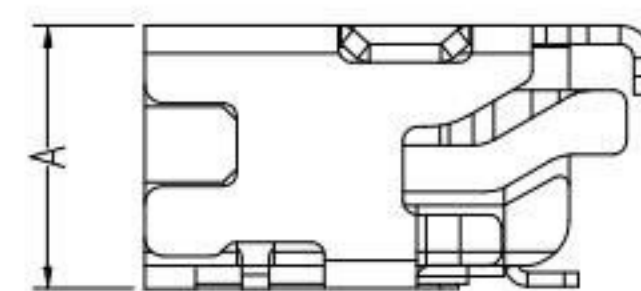
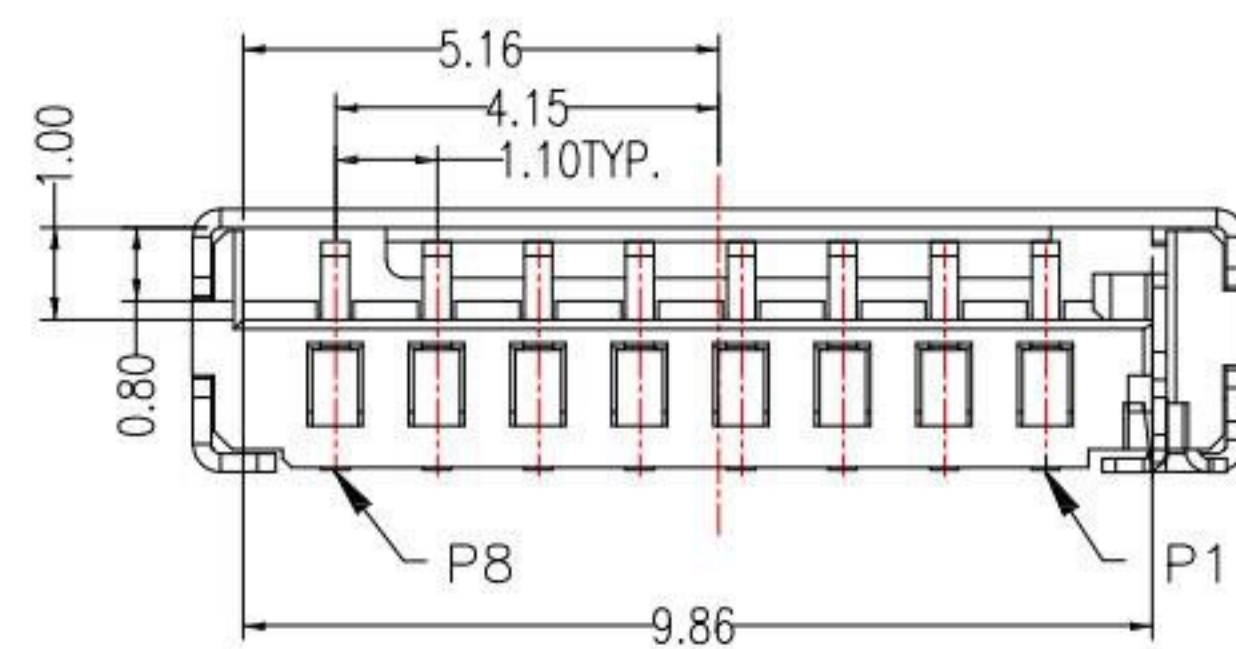


SD-TF03-1108x-S267

	DIM A
5	3.00
6	3.35
7	3.75



PCB LAYOYT



Pin No.	NAME
1	DAT2
2	CD/DAT3
3	CMD
4	VDD
5	CLK
6	VSS
7	DAT0
8	DAT1
9	CD1
10	CD2

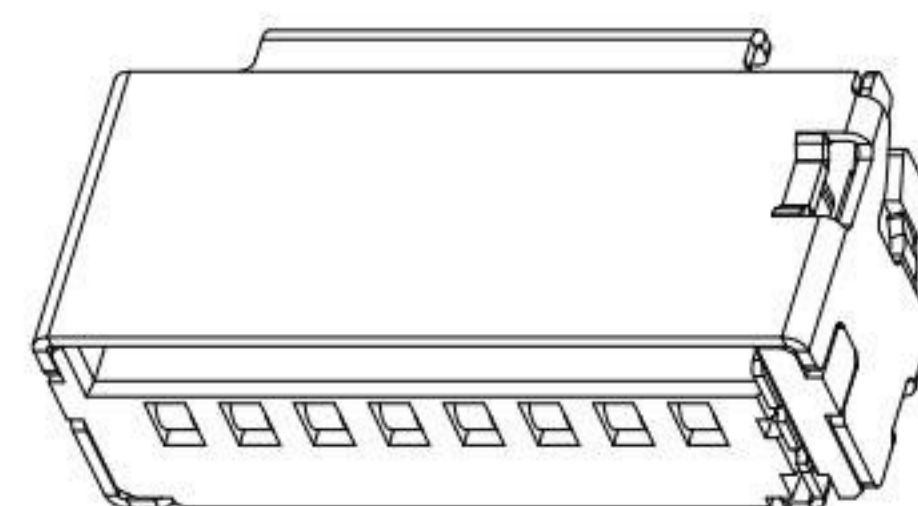
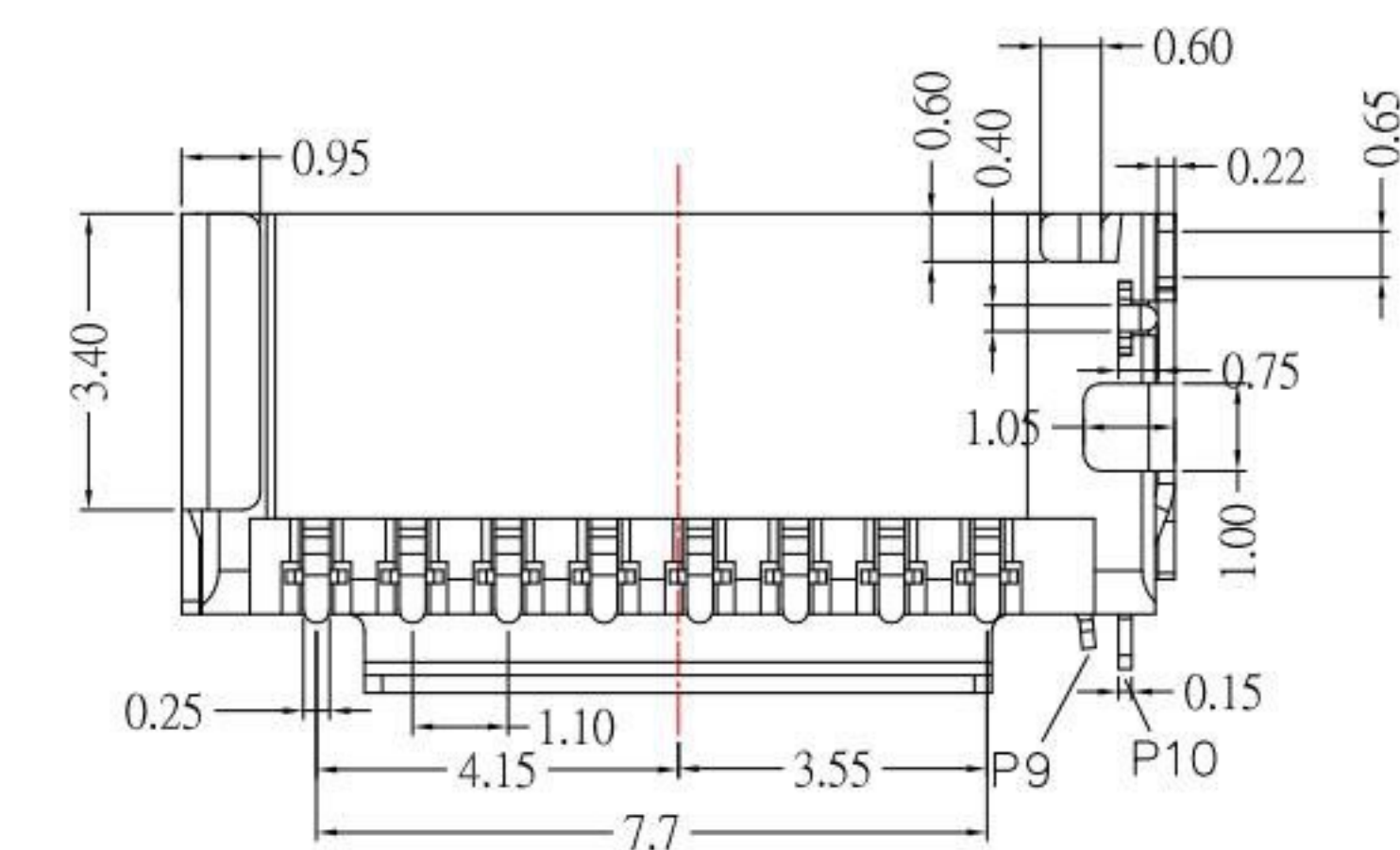
SPECIFICATION

Electrical :

- Contact Resistance: 50 mΩ Max.
- Insulation Resistance: 1000 MΩ Min.
- Dielectric Withstanding Voltage: 500V RMS.
- Life Cycles: 1500 cycles Min
- Mate Force: 4.5kgf Max
- Unmate Force: 0.5kgf Min

Environmental:

- Operating Temperature: -25°C ~ +85°C.

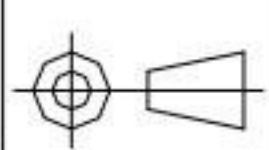


ITEM NO.	DESCRIPTION	DRAWN	DATE
7	更新高度選項	Jack	102517
6	更新高度選項	Jack	011617
5	新增尺寸	Jack	011217
4	PCB新增偵測pin 標示	Jack	121216
3	新增偵測pin 標示	Jack	120816
2	更新高度選項	Jack	120516
1	更新高度選項	Jack	102016

KSD 科斯达电子科技有限公司
 SWITCH CONNECTOR KSD ELECTRONIC TECHNOLOGY Co., LTD
 全球 互聯零組件製造企業

TOLERANCE UNLESS OTHERWISE STATED :
 Up to 5 ±0.2
 Above 5 ~ 15 ±0.3
 Above 15 ~ 30 ±0.4
 Above 30 ~ 50 ±0.5
 Angle ±0.3

3RD. ANGEL'S



UNITS MM

DRAWN BY:	DATE	MAT'L	TITLE	CONNECTOR
Jack Lu	10/25/17			
CHECKED BY:	DATE	FINISH	MODLE	MICRO SD 卡 短體帶偵測PIN
Jacky Chen	10/25/17			
APPROVED BY:	DATE	SCALE	DWG NO.	SD-TF03-1108x-S267
Tony Kao	10/25/17	1 : 1		
SHEET NO.	1 of 1	PART NO.	SD-TF03-1108x-S267	SIZE A4
				VER R7