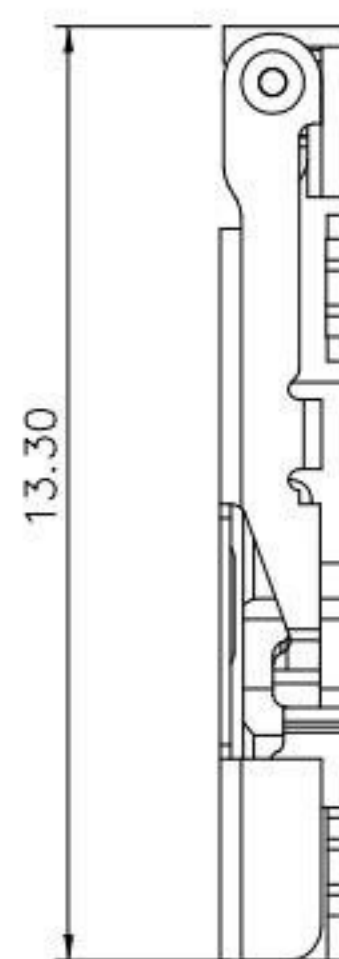
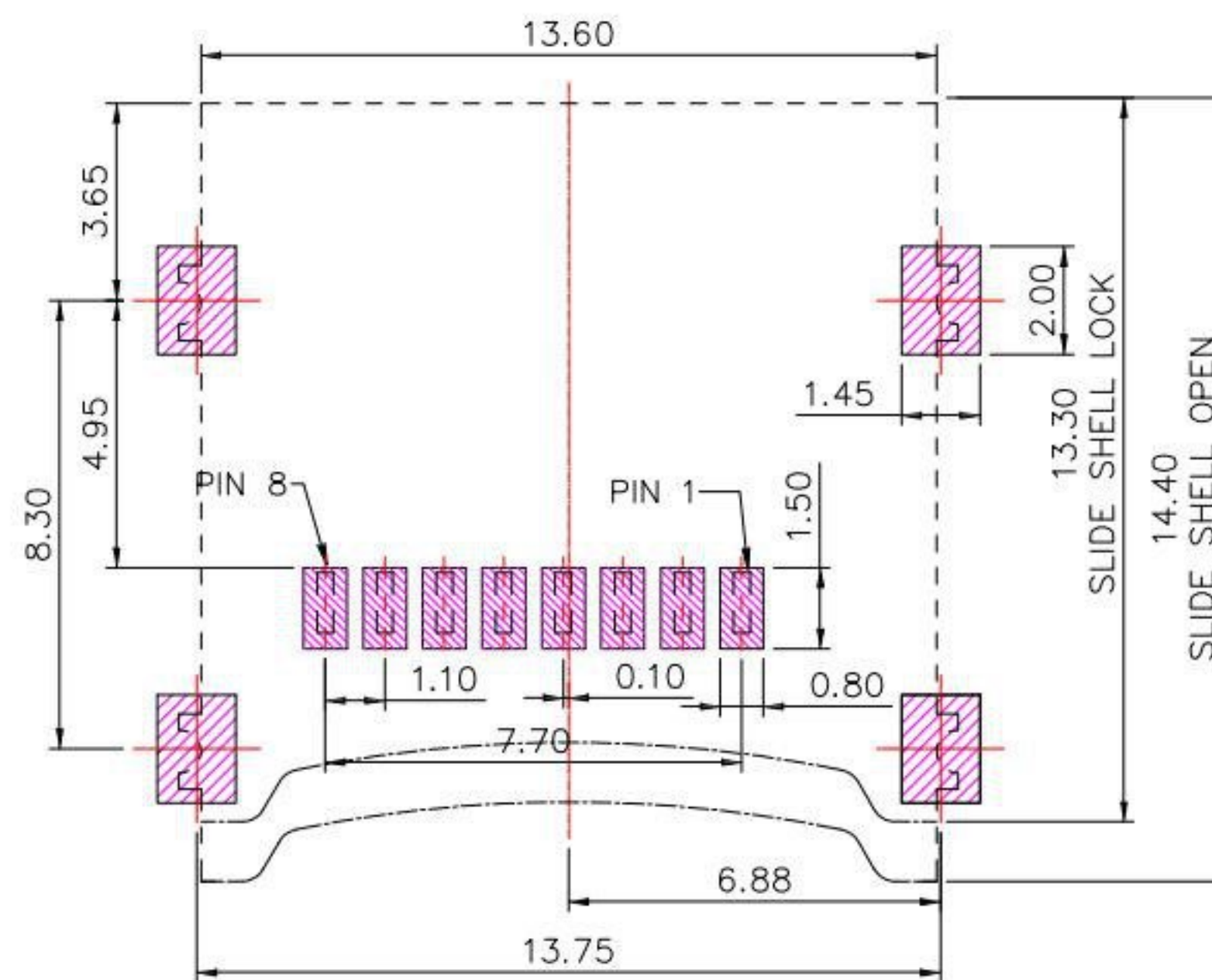
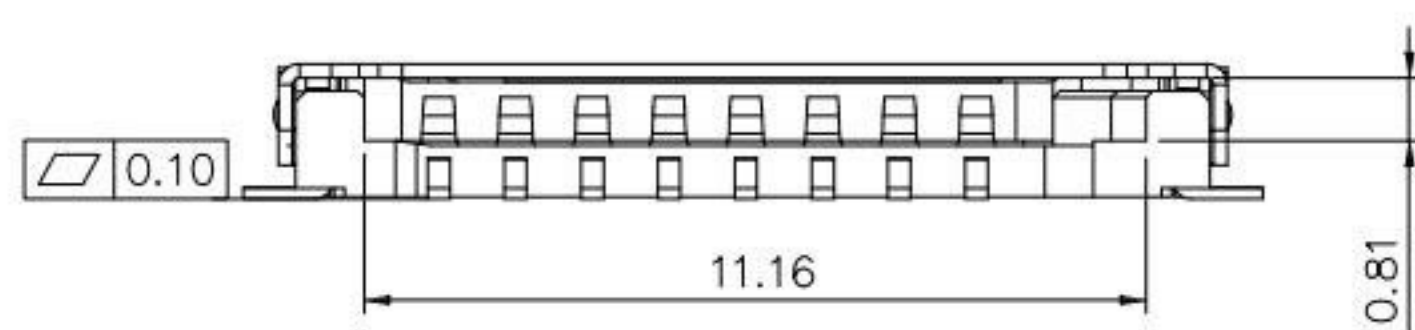
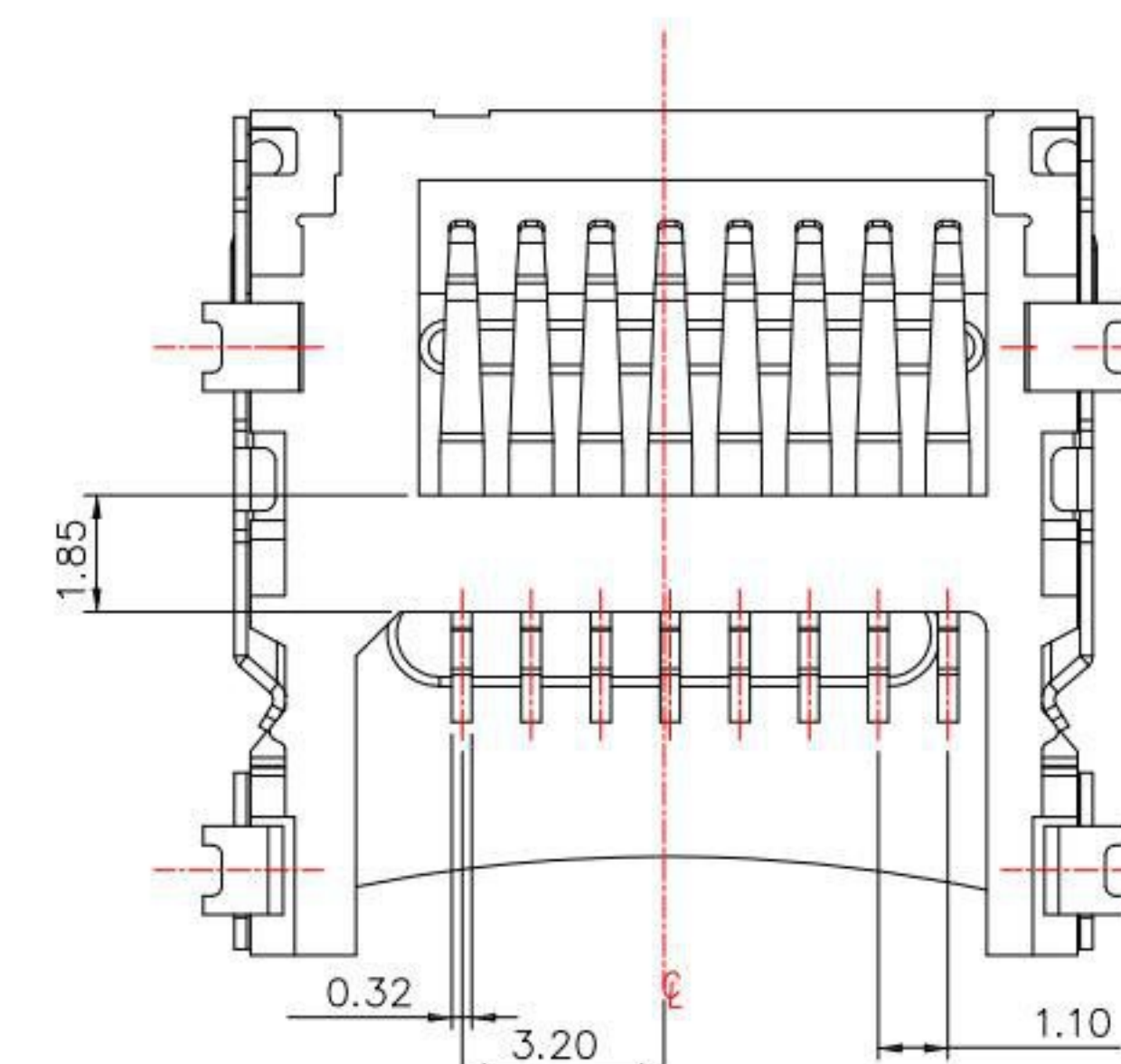


SLIDE SHELL LOCK



SLIDE SHELL OPEN



PCB LAYOUT

SPECIFICATION

Electrical :

1. Rating: 1.0A , 30V
- 2.Contact Resistance: 50 mΩ Max.
- 3.Insulation Resistance: 100 MΩ Min.
- 4.Operating Temperature: -20°C ~85°C

Material:

- 1.Housing: LCP,Black
- 2.Contact: Phosphor Bronze
- 3.Shell: SUS

Finish:

- 1.Contact: Plated Gold in Mating Area ;
Tin Plated on Solder Balls ;
Nickel under plated overall
- 2.Shell: Nickel under Plated surface layer

PIN NO.	PIN Assignmeng.
PIN1	DAT2
PIN2	CD/DAT3
PIN3	CMD
PIN4	VDD
PIN5	CLK
PIN6	VSS
PIN7	DAT0
PIN8	DAT1

KSD 科斯达电子科技有限公司
 SWITCH CONNECTOR KSD ELECTRONIC TECHNOLOGY Co., LTD
 全球 互联网 零组件 制造企业

TOLERANCE UNLESS OTHERWISE STATED :	Up to 5 ±0.2	Above 5 ~ 15 ±0.3	Above 15 ~ 30 ±0.4	Above 30 ~ 50 ±0.5	Angle ±0.3
	3RD. ANGEL'S	UNITS	MM		

DRAWN BY:	DATE	MAT'L	TITLE	CONNECTOR
Jack Lu	04/24/19			
CHECKED BY:	DATE	FINISH	MODLE	Micro SD 卡座 H:1.8mm
Jacky Chen	04/24/19			
APPROVED BY:	DATE	SCALE	DWG NO.	SD-TF11-41808-S267
Tony Kao	04/24/19	1 : 1	PART NO.	SD-TF11-41808-S267
		SHEET NO.	1 of 1	
				SIZE A4
				VER R4

ITEM NO.	DESCRIPTION	DRAWN	DATE
4	更新樣式	LAN	042419
3	更新樣式	Jack	101118
2	更新為A0版	Jack	082918
1	更新料號	Jack	081618