

PCB LAYOYT

SPECIFICATION

Electrical :

- 1.Current Rating: 0.5Amps
- 2.Voltage Rating: 5.0V AC / DC
- 3.Contact Resistance: 100 mΩ Max.
- 4.Insulation Resistance: 1,000 MΩ Min.

Environmental:

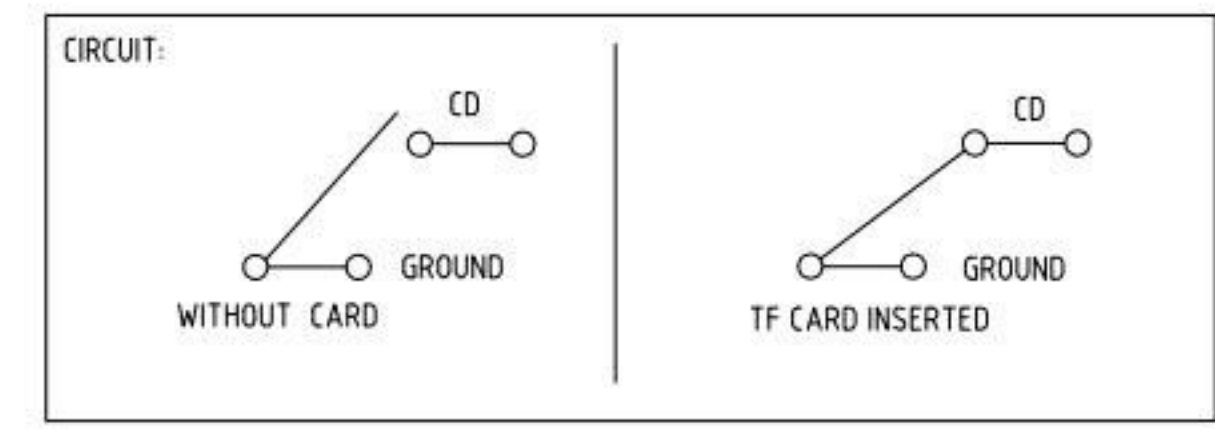
- 1.Operating Temperature: -20°C ~ +60°C.

Material:

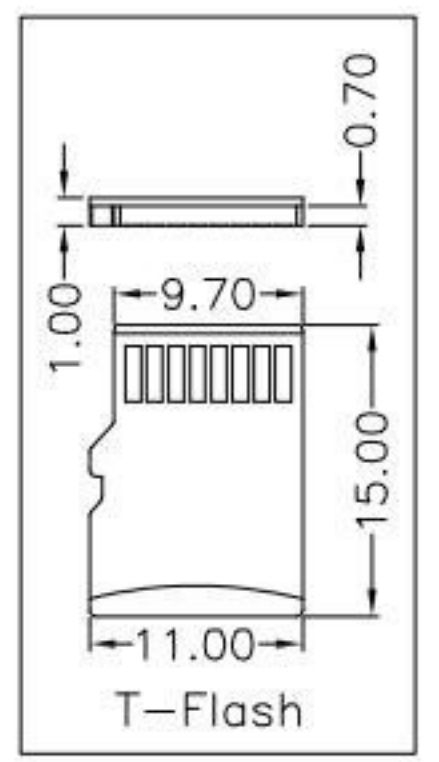
- 1.Housing: LCP
- 2.Contact: Phosphor Bronze

Finish:

- 1.Contact: Plated Gold in Mating Area ;  
Tin Plated on Solder Balls ;  
Nickel under plated overall
- 2.Shell: Nickel under Plated surface layer



NO.	ASSIGNMENT	NO.	ASSIGNMENT
1#	DAT2	5#	CLK
2#	CD/DAT3 <sup>2</sup>	6#	VSS
3#	CMD	7#	DATO
4#	VDD	8#	DAT1



**KSD** 科斯达电子科技有限公司  
 SWITCH CONNECTOR KSD ELECTRONIC TECHNOLOGY Co., LTD  
 全球 互联零组件制造企业

TOLERANCE UNLESS OTHERWISE STATED :  
 Up to 5 ±0.2  
 Above 5 ~ 15 ±0.3  
 Above 15 ~ 30 ±0.4  
 Above 30 ~ 50 ±0.5  
 Angle ±0.3

3RD. ANGEL'S

UNITS MM

DRAWN BY:	DATE	MAT'L	TITLE	CONNECTOR
Jack Lu	12/07/21		MODLE	T FLASH 卡座 PUSH PUSH 兩腳正向沉板0.85
CHECKED BY:	DATE	FINISH	DWG NO.	SD-TF4A11-S267
Jacky Chen	12/07/21		PART NO.	SD-TF4A11-S267
APPROVED BY:	DATE	SCALE	SHEET NO.	1 of 1
Tony Kao	12/07/21	1 : 1		

ITEM NO.	DESCRIPTION	DRAWN	DATE