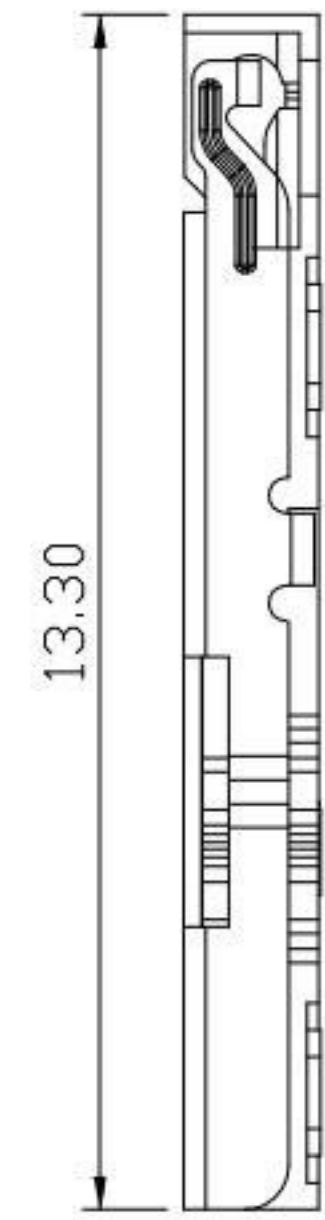
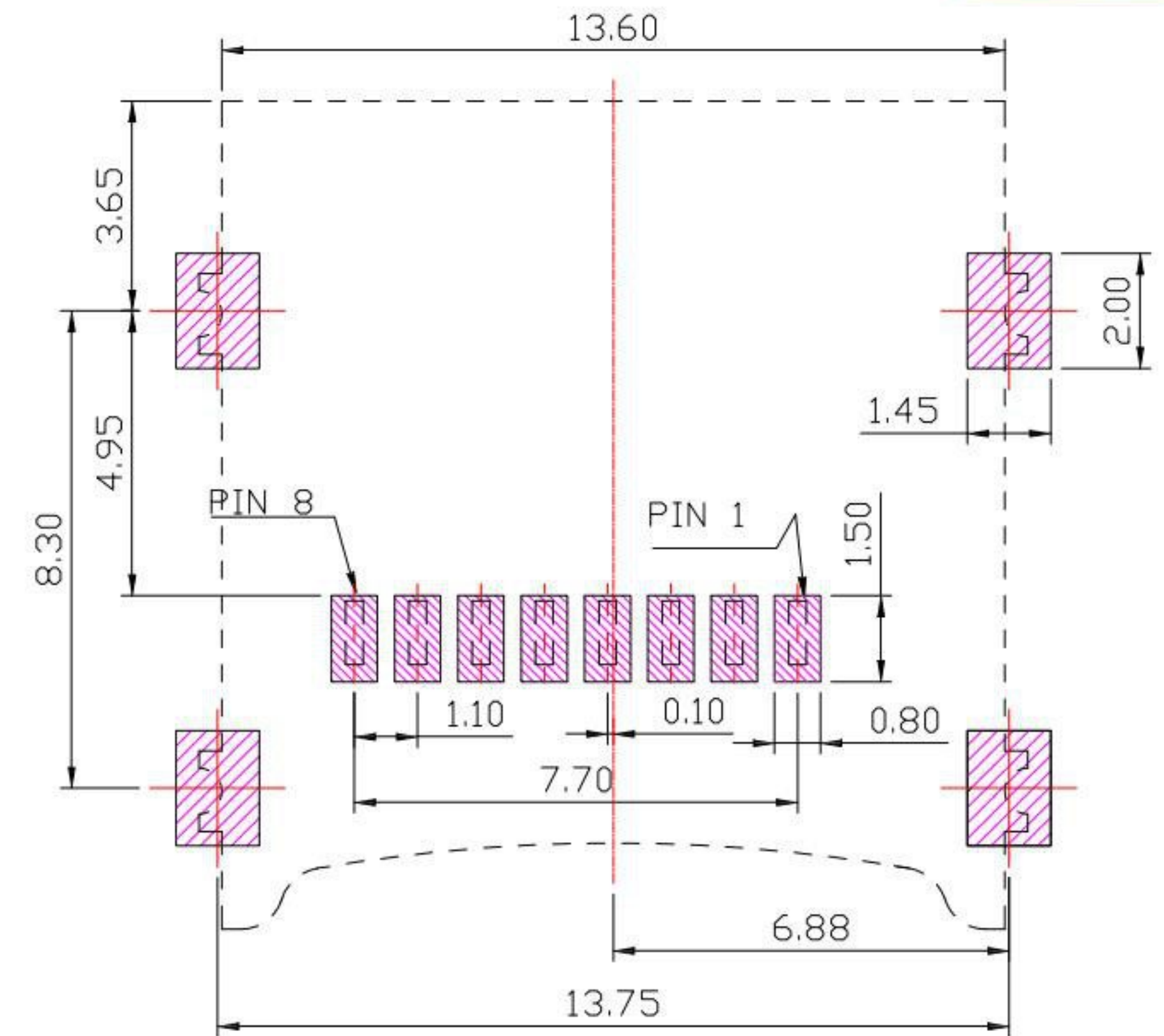


LOCK POSITION



OPEN POSITION



PCB LAYOYT

**SPECIFICATION**

**Electrical :**

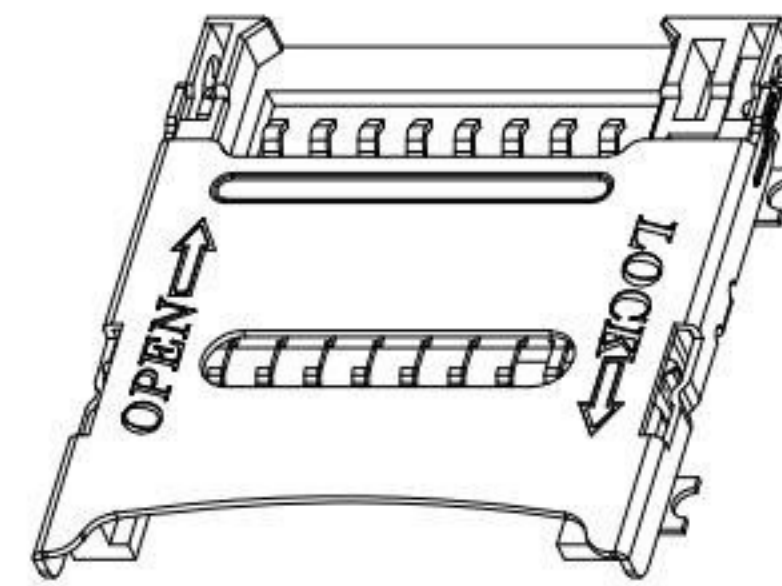
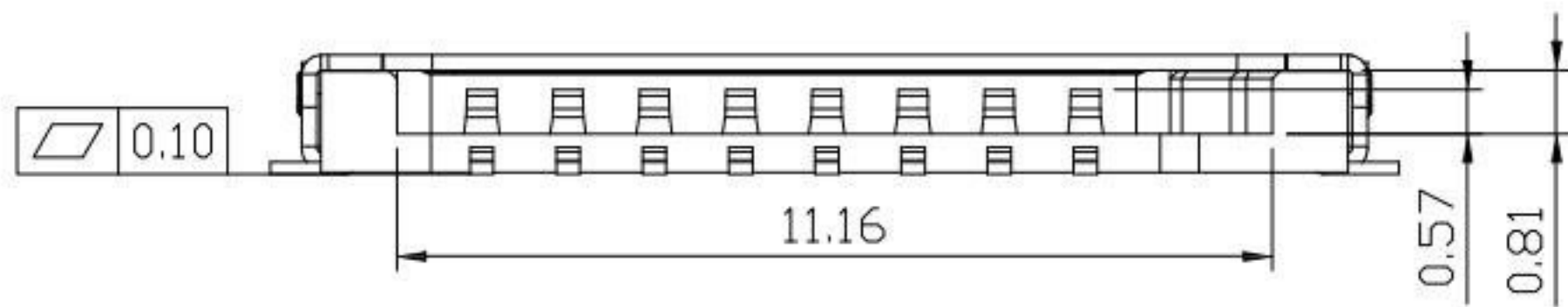
- 1.Current Rating: 1.0A
- 2.Voltage Rating: 30V
- 3.Contact Resistance: 50 mΩ Max.
- 4.Insulation Resistance: 100 MΩ Min.
- 5.Dielectric Withstanding Voltage: 100V AC

**Environmental:**

- 1.Operating Temperature: -30°C ~ +80°C.

**Material:**

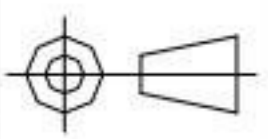
- 1.Housing: LCP,UL 94V-0,Black
- 2.Contact: Phosphor Bronze
- 3.Stator: Phosphor Bronze
- 4.Shell: Stainless Steel



**KSD** 科斯达电子科技有限公司  
 SWITCH CONNECTOR KSD ELECTRONIC TECHNOLOGY Co., LTD  
 全球 互联零组件制造企业

TOLERANCE UNLESS OTHERWISE STATED :  
 Up to 5 ±0.2  
 Above 5 ~ 15 ±0.3  
 Above 15 ~ 30 ±0.4  
 Above 30 ~ 50 ±0.5  
 Angle ±0.3

3RD. ANGEL'S



UNITS MM

DRAWN BY: Jack Lu  
 DATE: 01/30/18  
 CHECKED BY: Jacky Chen  
 DATE: 01/30/18  
 APPROVED BY: Tony Kao  
 DATE: 01/30/18

MAT'L		TITLE	CONNECTOR
FINISH		MODLE	MICRO SD Card 掀蓋式 H:1.5mm
SCALE	1 : 1	DWG NO.	SD-TF615008S-S267
SHEET NO.	1 of 1	PART NO.	SD-TF615008S-S267

1	更新為A0版	Jack	013018
ITEM NO.	DESCRIPTION	DRAWN	DATE

7

7

SIZE A4  
VER A0