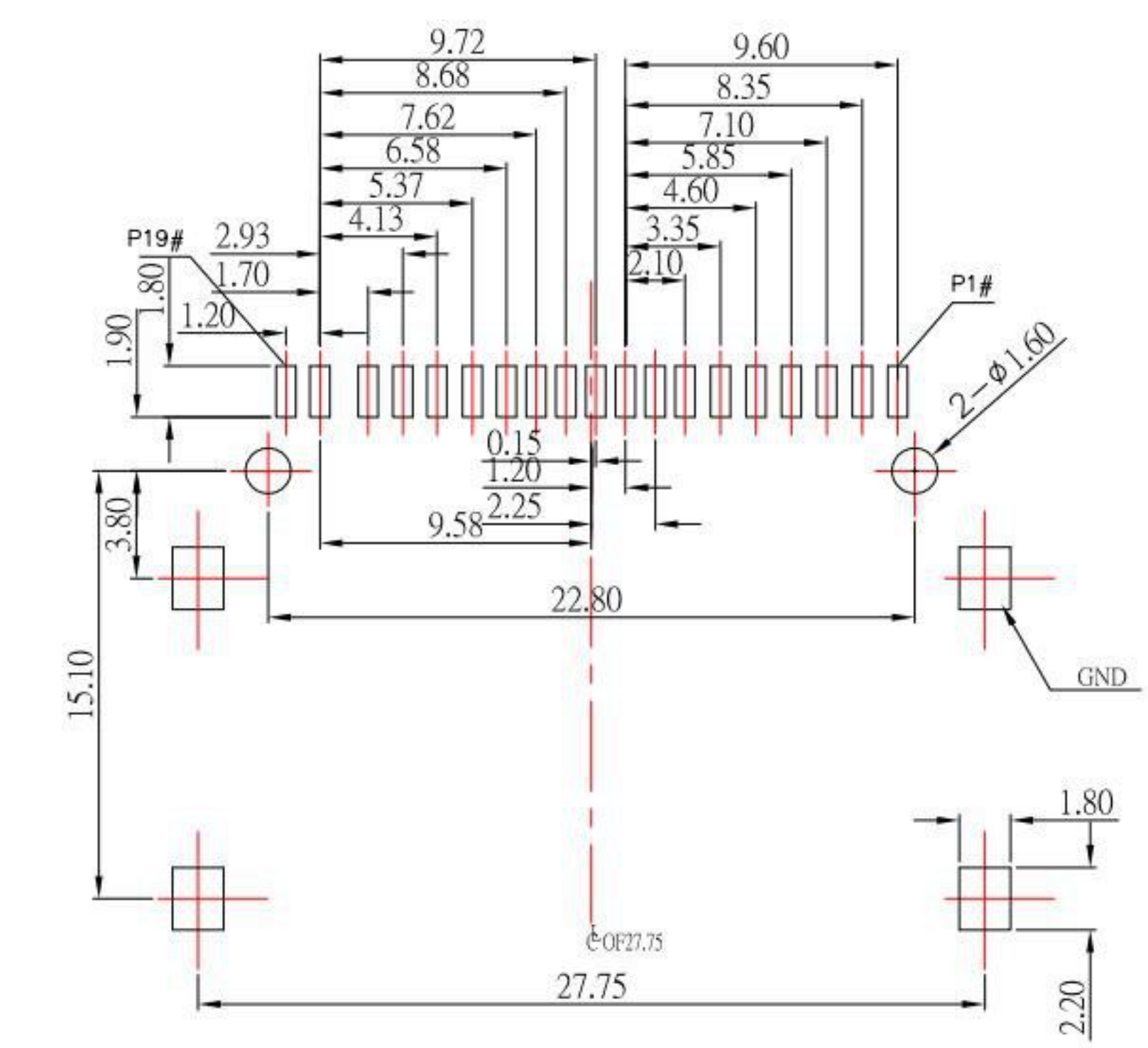


*1. 此開關PIN部份, 適用於23.85mm的卡和24.10mm的卡測試。
*2. 未插上, 下限卡前外殼為平的。



RECOMMEENDER PCB LAYOUT

SPECIFICATION

Electrical :

- 1.Rating: 1.0A
- 2.Contact Resistance: 100 mΩ Max.
- 3.Insulation Resistance: 1000 MΩ Min.
- 4.Dielectric Withstanding Voltage: 500V AC .

Environmental:

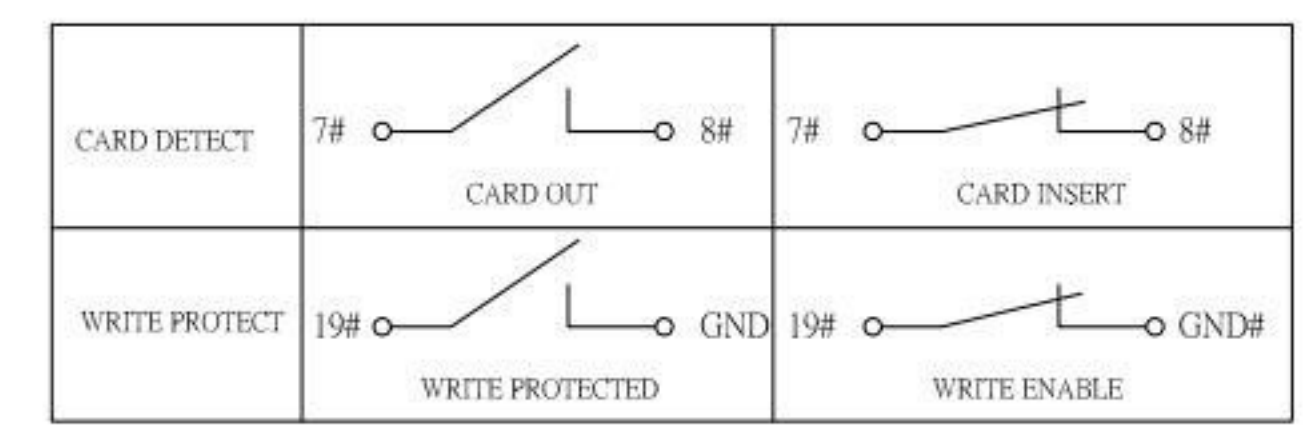
- 1.Operating Temperature: -20°C ~ +60°C.

Material:

- 1.Housing: LCP
- 2.Contact: Copper Alloy
- 3.Shell: SUS

Finish:

- 1.Contact: Plated Gold in Mating Area ;
Tin Plated on Solder Balls ;
Nickel under plated overall
- 2.Shell: Nickel under Plated surface layer



PIN DEFINE:

PIN#	NAME	DESCRIPTION	PIN#	NAME	DESCRIPTION
1	VSS3	GROUND	11	VDD1	SUPPLY VOLTAGE
2	DAT2	DATA LINE BIT2	12	D1-	DIFFERENTIAL DATE 1-
3	D0+	DIFFERENTIAL DATE 0+	13	CLK	CLOCK
4	CD/DAT3	CARD DETECT/ DATA LINE BIT3	14	D1+	DIFFERENTIAL DATE 1+
5	D0-	DIFFERENTIAL DATE 0-	15	VSS2	SUPPLY VOLTAGE GROUND
6	CMD	COMMAND/RESPONSE	16	VSS5	GROUND
7	CD	CARD DETECT	17	DAT0	DATA LINE BIT0
8	VSS1	SUPPLY VOLTAGE GROUND	18	DAT1	DATA LINE BIT1
9	VSS4	GROUND	19	WP	WRITE PROTECT
10	VDD2	SUPPLY VOLTAGE(1.8V)			

KSD 科斯达电子科技有限公司
SWITCH CONNECTOR 全球 互联零组件制造企业
KSD ELECTRONIC TECHNOLOGY Co., LTD

TOLERANCE UNLESS OTHERWISE STATED :

Up to 5	±0.2
Above 5 ~ 15	±0.3
Above 15 ~ 30	±0.4
Above 30 ~ 50	±0.5
Angle	±0.3

3RD. ANGEL'S UNITS MM

DRAWN BY:	DATE	MAT'L	TITLE	CONNECTOR
Jack Lu	11/19/21			
CHECKED BY:	DATE	FINISH	MODLE	SD4.0 短體板上型
Jacky Chen	11/19/21			
APPROVED BY:	DATE	SCALE	DWG NO.	SD4-004ZA4-S304
Tony Kao	11/19/21	1 : 1		
		SHEET NO.	PART NO.	SD4-004ZA4-S304
		1 of 2		

ITEM NO.	DESCRIPTION	DRAWN	DATE
3	更新料號	Jack	111921
2	新增卡片插入參考尺寸	Jack	022321
1	更新料號	Jack	082820

SIZE	A4
VER	R3