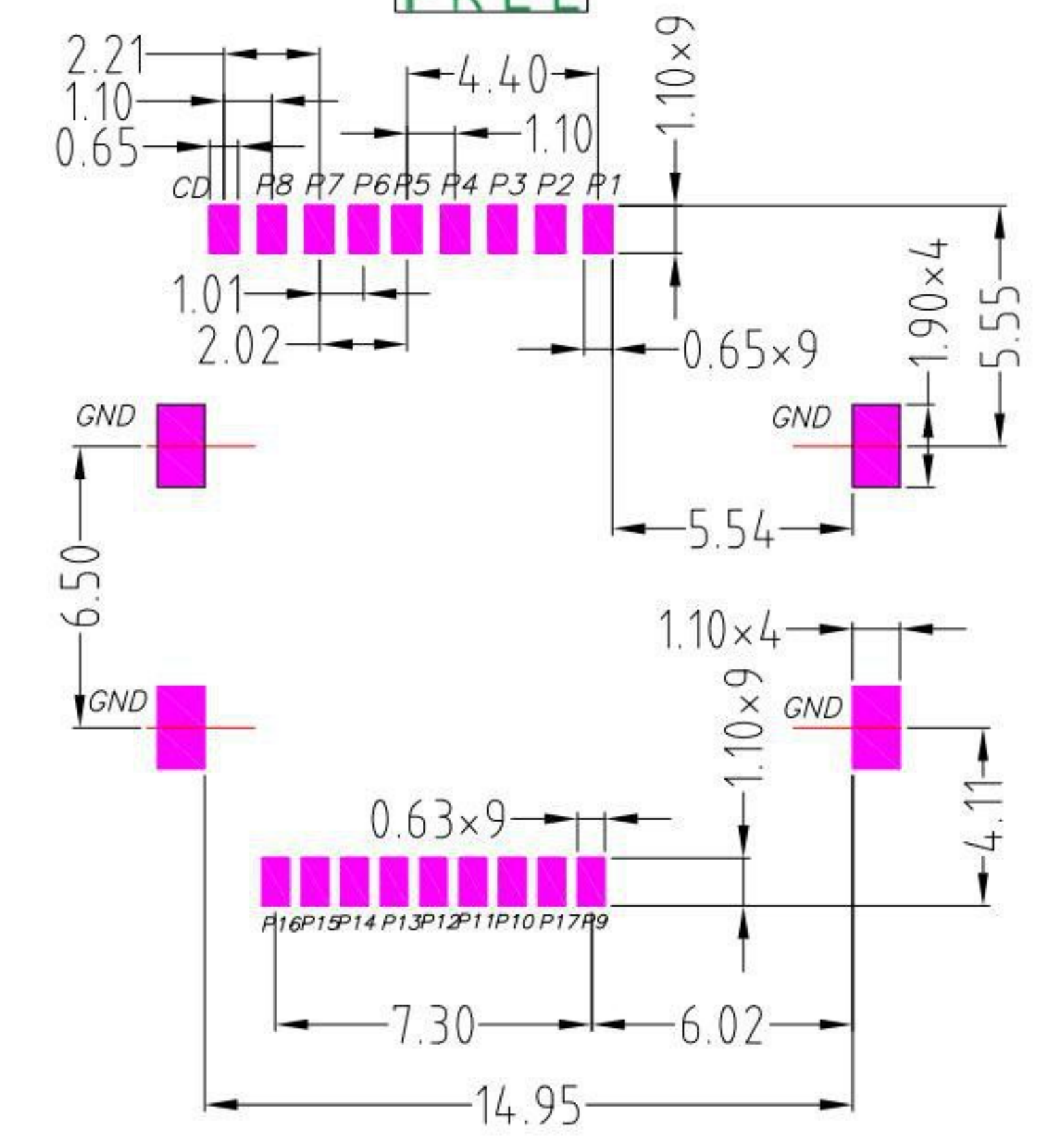
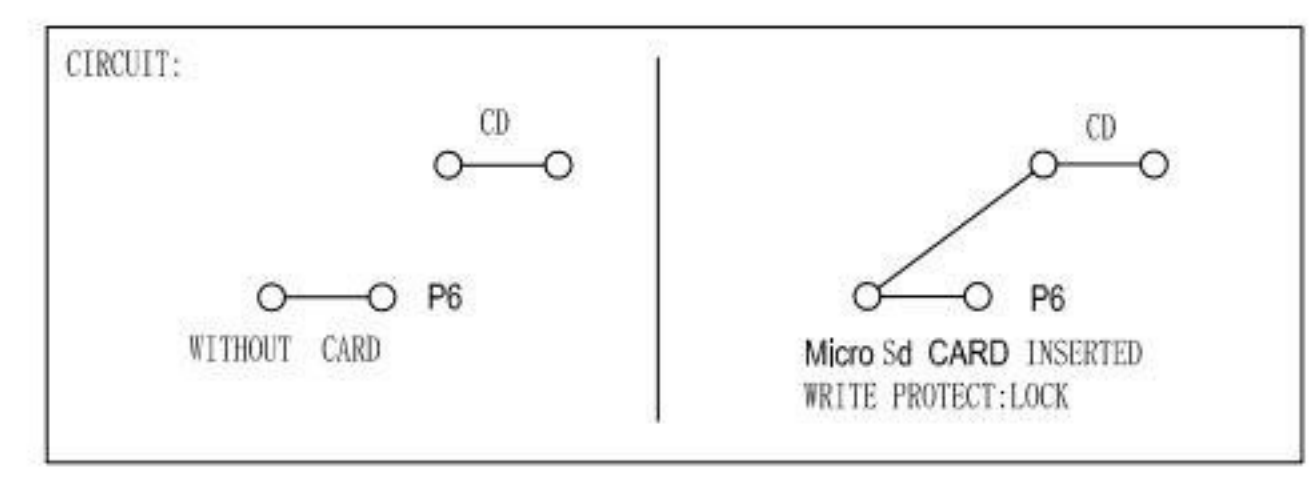
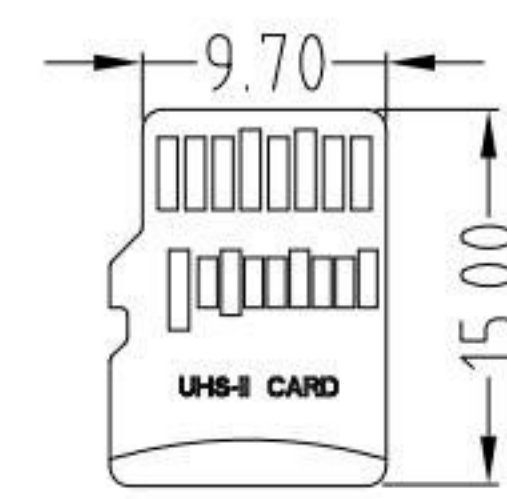
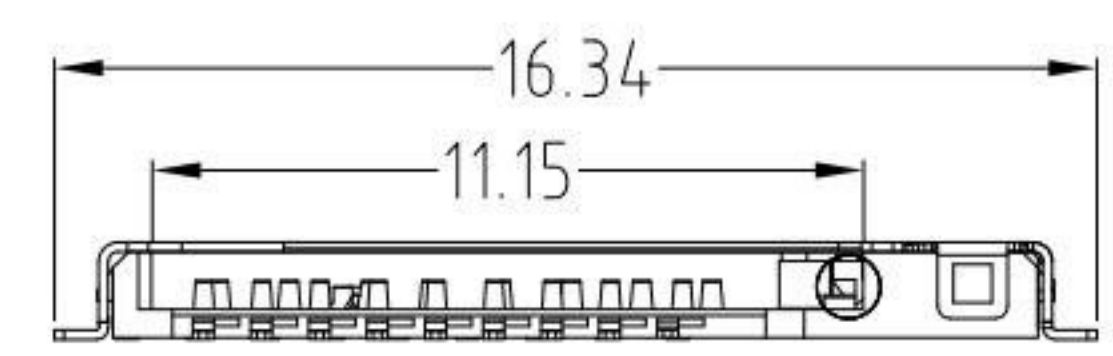


此处禁部机购, 避位0.15



RECOMMEND PCB LAYOUT



PIN NO.	Micro SD With UHS-II and SW10 support
P1	DAT2 (Data Line Bit 2)
P2	CD/DAT3 (card Detect/Data Line)
P3	CMD (Command/Response)
P4	VDD1 (Supply voltage 3.3V)
P5	CLOCK
P6	VSS (Supply voltage ground)
P7	DAT0/RCLK+ (Data Line/RCLK+)
P8	DAT1/RCLK- (Data Line/RCLK-)
P9	CD (检测P)
	GND
	GND
	GND
	GND
P9	Vdd2(supply voltage ground1.8v)
P10	Vss(supply voltage ground)
P11	UHS-II D0+
P12	UHS-II D0-
P13	Vss(supply voltage ground)
P14	UHS-II D1-
P15	UHS-II D1+
P16	Vss(supply voltage ground)
P17	SW10 (Single wire protocol interface)

**SPECIFICATION**

**Electrical :**

- 1.Current Rating: 0.5A
- 2.Voltage Rating: 5.0V AC/DC
- 3.Contact Resistance: 100 mΩ Max.
- 4.Insulation Resistance: 1,000 MΩ Min.

**Environmental:**

- 1.Operating Temperature: -20°C ~ +60°C.

**Material:**

- 1.Housing: LCP
- 2.Contact: Phosphor Bronze
- 3.Shell: Stainless Steel

**Finish:**

- 1.Contact: Plated Gold in Mating Area ;  
Gold Plated on Solder Balls ;  
Nickel under plated overall
- 2.Shell: Nickel under Plated surface layer

**KSD** 科斯达电子科技有限公司  
 SWITCH CONNECTOR KSD ELECTRONIC TECHNOLOGY Co., LTD  
 全球 互联零组件制造企业

TOLERANCE UNLESS OTHERWISE STATED :  
 Up to 5 ±0.2  
 Above 5 ~ 15 ±0.3  
 Above 15 ~ 30 ±0.4  
 Above 30 ~ 50 ±0.5  
 Angle ±0.3

3RD. ANGEL'S  
 UNITS MM

DRAWN BY:	DATE	MAT'L	TITLE	CONNECTOR
Jack Lu	03/31/22			
CHECKED BY:	DATE	FINISH	MODLE	MICRO SD 4.0 H1.50 PUSH TYPE
Jacky Chen	03/31/22			
APPROVED BY:	DATE	SCALE	DWG NO.	SD4-03918A-HF-S267
Tony Kao	03/31/22	1 : 1	PART NO.	SD4-03918A-HF-S267
		SHEET NO.	1 of 1	
				SIZE A4
				VER R

ITEM NO.	DESCRIPTION	DRAWN	DATE