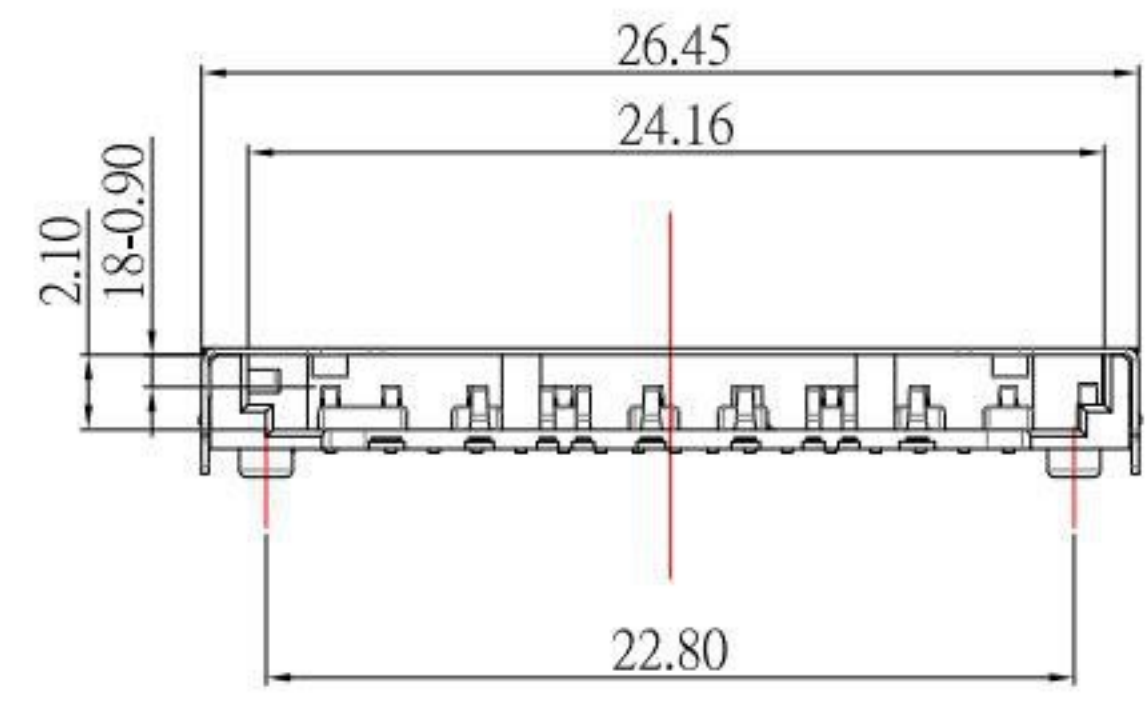
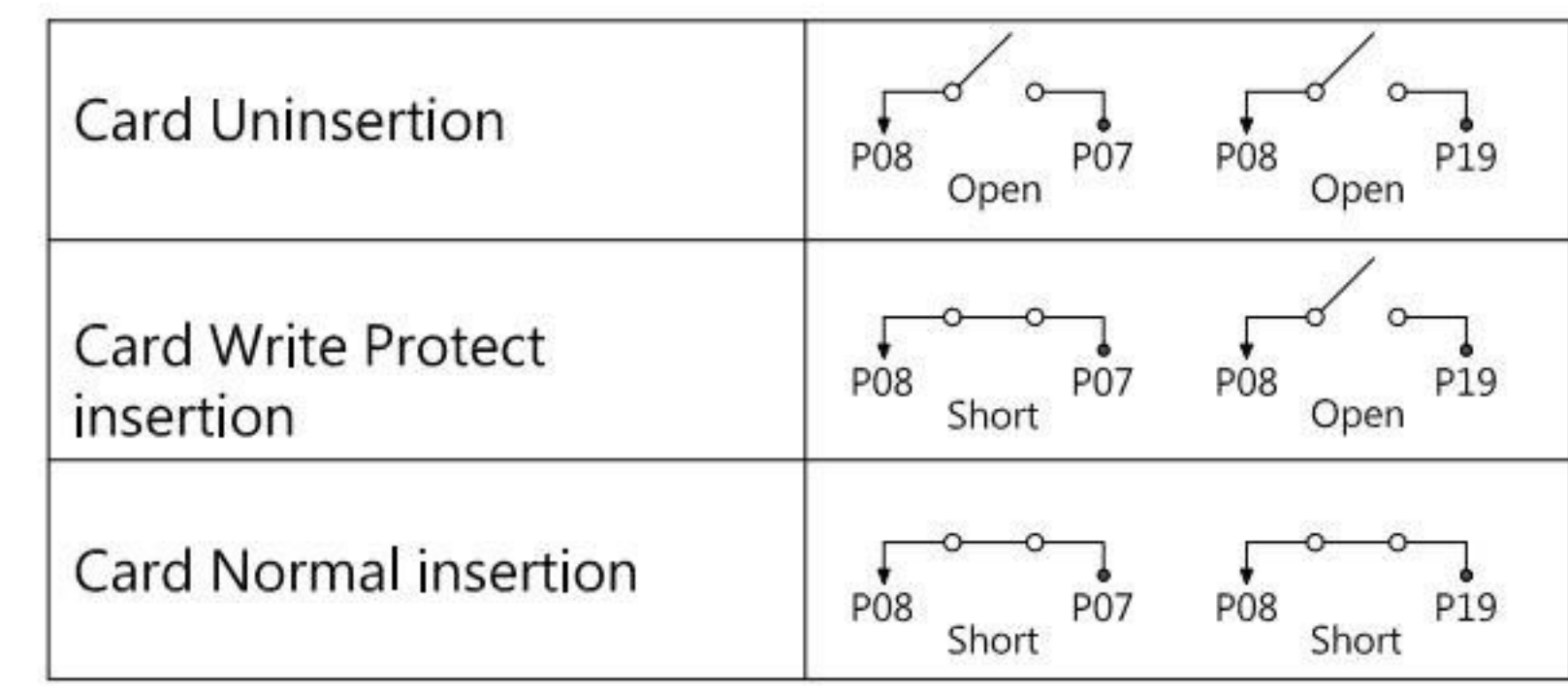


RECOMMEND PCB LAYOUT



Pin Assignment

| Pin# | Name    | Description                   | Pin# | Name | Description           |
|------|---------|-------------------------------|------|------|-----------------------|
| P01  | VSS3    | Supply Voltage Ground         | P11  | VDD1 | Supply Voltage (3.3V) |
| P02  | DAT2    | Data Line [Bit 2]             | P12  | D1-  | Differential Data 1-  |
| P03  | D0+     | Differential Data 0+          | P13  | CLK  | Clock                 |
| P04  | CD/DAT3 | Card Detect/Data Line [Bit 3] | P14  | D1+  | Differential Data 1+  |
| P05  | D0-     | Differential Data 0-          | P15  | VSS2 | Supply Voltage Ground |
| P06  | CMD     | Command/Response              | P16  | VSS5 | Supply Voltage Ground |
| P07  | CD      | Card Detect                   | P17  | DAT0 | Data Line [Bit 0]     |
| P08  | VSS1    | Supply Voltage Ground         | P18  | DAT1 | Data Line [Bit 1]     |
| P09  | VSS4    | Supply Voltage Ground         | P19  | WP   | Write Protect         |
| P10  | VDD2    | Supply Voltage (1.8V)         |      |      |                       |

SPECIFICATION

- Electrical :
- 1.Current Rating: 0.5A
  - 2.Dielectric Withstanding Voltage: 500V AC
  - 3.Contact Resistance: 100 mΩ Max.
  - 4.Insulation Resistance: 1000 MΩ Min.
- Environmental:
- 1.Operating Temperature: -25°C ~ +85°C.

Material:

- 1.Housing: LCP
  - 2.Contact: Phosphor Bronze
  - 3.Shell: Stainless Steel
- Finish:
- 1.Contact: Plated Gold in Mating Area ;  
Tin Plated on Solder Balls ;  
Nickel under plated overall
  - 2.Shell: Nickel under Plated surface layer

**KSD** 科斯达电子科技有限公司  
SWITCH CONNECTOR KSD ELECTRONIC TECHNOLOGY Co., LTD  
全球 互联零组件制造企业

|                                     |              |             |              |              |            |
|-------------------------------------|--------------|-------------|--------------|--------------|------------|
| TOLERANCE UNLESS OTHERWISE STATED : | Up to 5 ±0.2 | 5 ~ 15 ±0.3 | 15 ~ 30 ±0.4 | 30 ~ 50 ±0.5 | Angle ±0.3 |
|                                     | 3RD. ANGEL'S | UNITS       | MM           |              |            |

|              |          |           |          |  |
|--------------|----------|-----------|----------|--|
| DRAWN BY:    | DATE     | MAT'L     | TITLE    | CONNECTOR                              |
| Jack Lu      | 02/09/23 |           |          |  |
| CHECKED BY:  | DATE     | FINISH    | MODLE    | SD 4.0 H2.95 Non- PUSH SMT TYPE 外殼腳DIP |
| Jacky Chen   | 02/09/23 |           |          |  |
| APPROVED BY: | DATE     | SCALE     | DWG NO.  | SD4-295D-S267                          |
| Tony Kao     | 02/09/23 | 1 : 1     |          |  |
|              |          | SHEET NO. | PART NO. | SD4-295D-S267                          |
|              |          | 1 of 1    |          |  |
|              |          |           |          | SIZE A4                                |
|              |          |           |          | VER R                                  |

| ITEM NO. | DESCRIPTION | DRAWN | DATE |
|----------|-------------|-------|------|
|          |             |       |      |