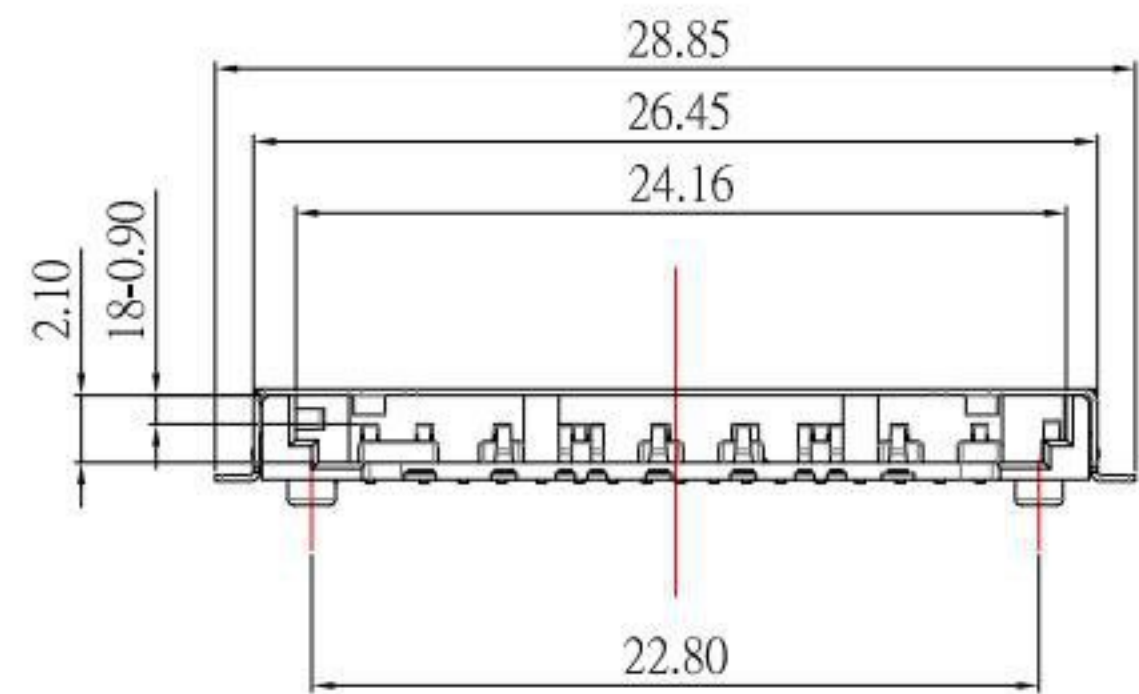


RECOMMEND PCB LAYOUT



Card Uninsertion	
Card Write Protect insertion	
Card Normal insertion	

Pin Assignment

Pin#	Name	Description	Pin#	Name	Description
P01	VSS3	Supply Voltage Ground	P11	VDD1	Supply Voltage (3.3V)
P02	DAT2	Data Line [Bit 2]	P12	D1-	Differential Data 1-
P03	D0+	Differential Data 0+	P13	CLK	Clock
P04	CD/DAT3	Card Detect/Data Line [Bit 3]	P14	D1+	Differential Data 1+
P05	D0-	Differential Data 0-	P15	VSS2	Supply Voltage Ground
P06	CMD	Command/Response	P16	VSS5	Supply Voltage Ground
P07	CD	Card Detect	P17	DAT0	Data Line [Bit 0]
P08	VSS1	Supply Voltage Ground	P18	DAT1	Data Line [Bit 1]
P09	VSS4	Supply Voltage Ground	P19	WP	Write Protect
P10	VDD2	Supply Voltage (1.8V)			

SPECIFICATION

Electrical :

- 1.Current Rating: 0.5A
- 2.Dielectric Withstanding Voltage: 500V AC
- 3.Contact Resistance: 100 mΩ Max.
- 4.Insulation Resistance: 1,000 MΩ Min.

Environmental:

- 1.Operating Temperature: -25°C ~ +85°C.

Material:

- 1.Housing: LCP
- 2.Contact: Phosphor Bronze
- 3.Shell: Stainless Steel

Finish:

- 1.Contact: Plated Gold in Mating Area ;  
Tin Plated on Solder Balls ;  
Nickel under plated overall
- 2.Shell: Nickel under Plated surface layer

**KSD** 科斯达电子科技有限公司  
SWITCH CONNECTOR KSD ELECTRONIC TECHNOLOGY Co., LTD  
全球 互聯零組件製造企業

TOLERANCE UNLESS OTHERWISE STATED :  
Up to 5 ±0.2  
Above 5 ~ 15 ±0.3  
Above 15 ~ 30 ±0.4  
Above 30 ~ 50 ±0.5  
Angle ±0.3

3RD. ANGEL'S

UNITS MM

DRAWN BY:	DATE	MAT'L	TITLE	CONNECTOR
Jack Lu	06/20/22	FINISH	MODLE	SD 4.0 H2.95 Non- PUSH SMT TYPE
CHECKED BY:	DATE	SCALE	DWG NO.	SD4-295-HF-S267
Jacky Chen	06/20/22	1 : 1	PART NO.	SD4-295-HF-S267
APPROVED BY:	DATE	SHEET NO.	1 of 1	
Tony Kao	06/20/22			

ITEM NO.	DESCRIPTION	DRAWN	DATE
3	更新樣式	Jack	062022
2	新增尺寸標示	Jack	061022
1	新增"HF"標示	Jack	033122