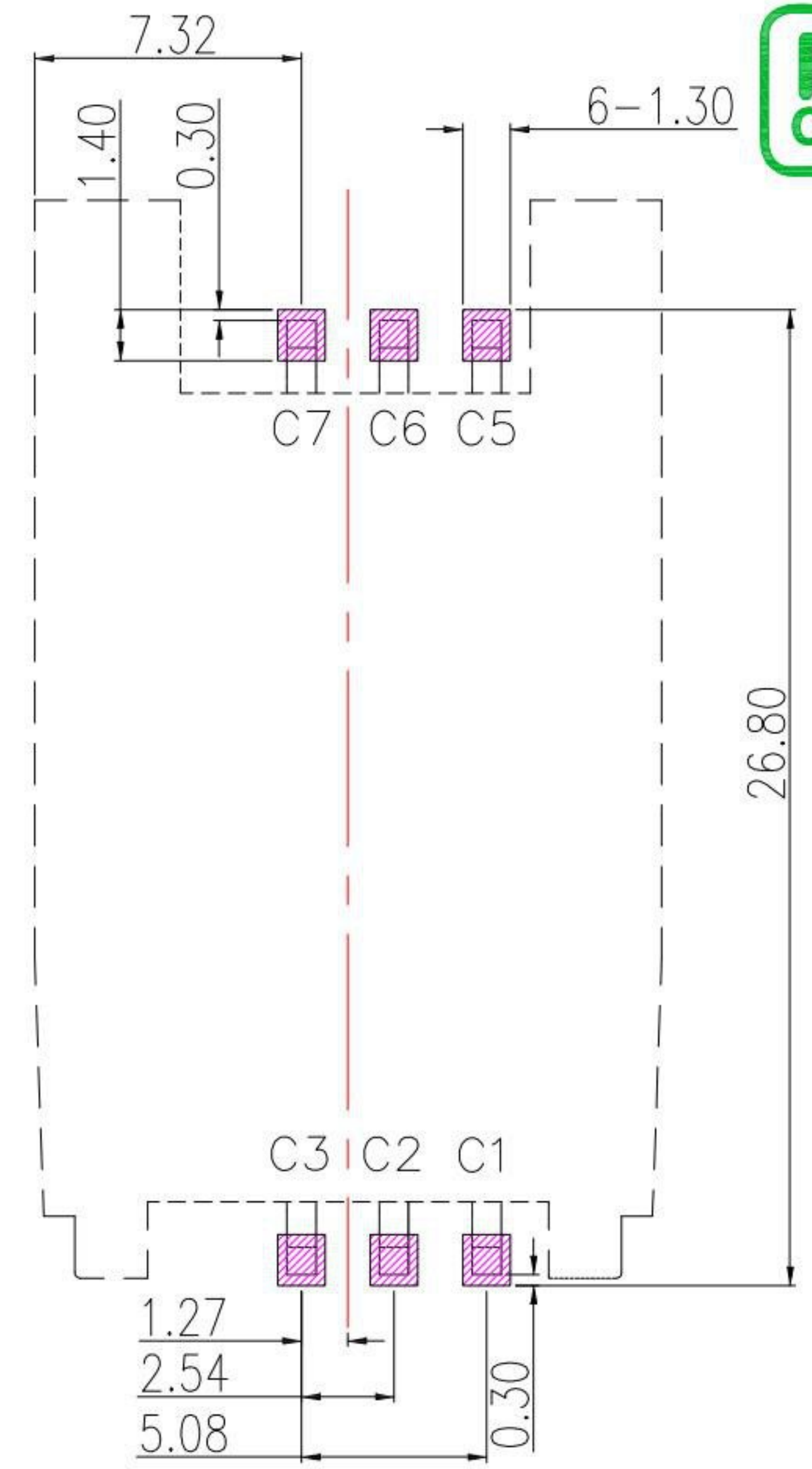
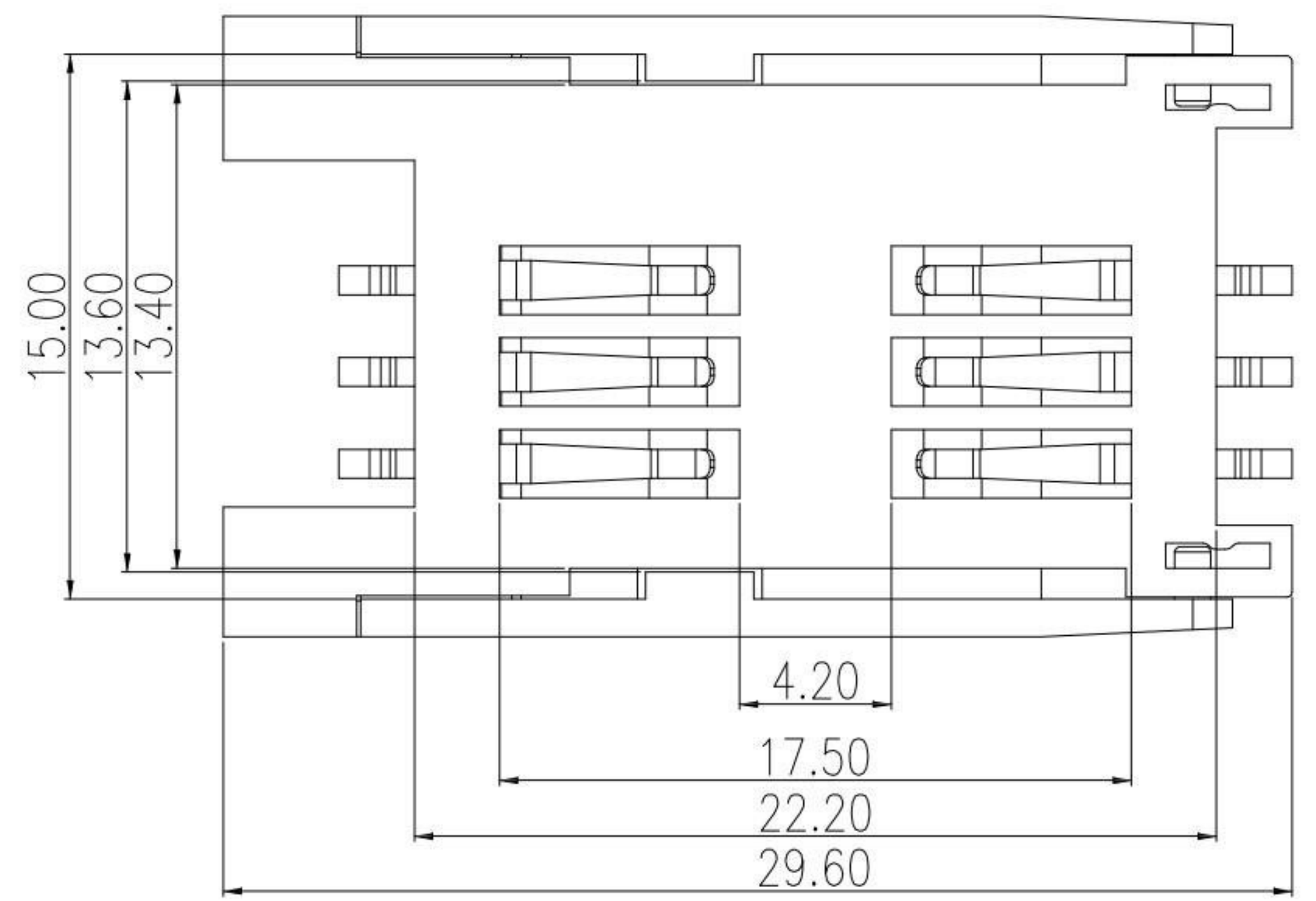
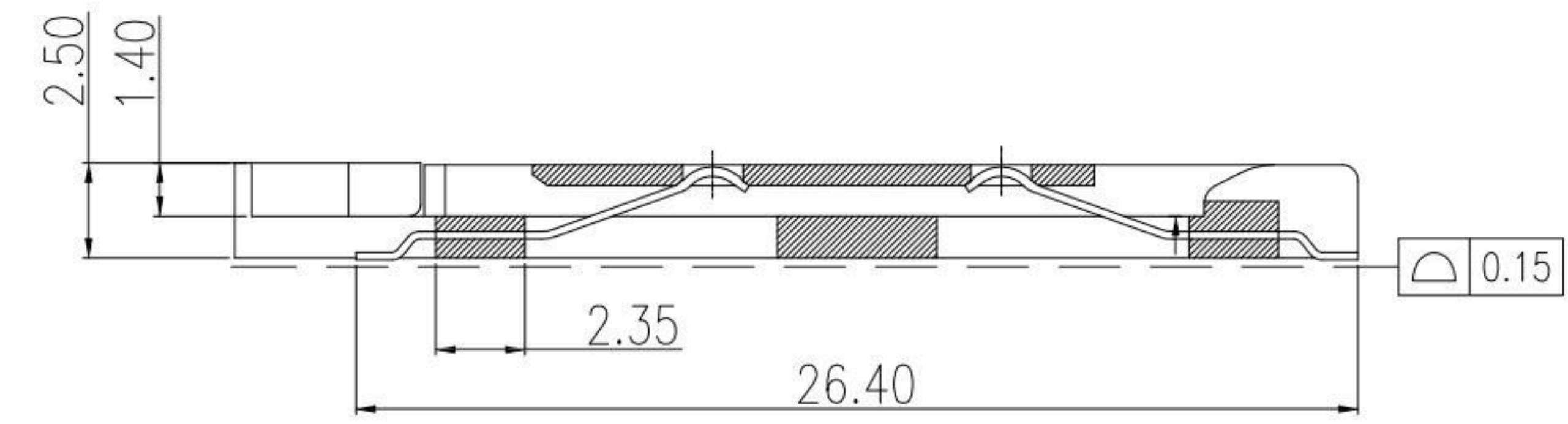


PIN NO	PIN NAME
C1	VCC
C2	RST
C3	CLK
C5	GND
C6	VPP
C7	I/O



PCB LAYOYT



SPECIFICATION

- Electrical :**
- 1.Current Rating: 0.5A
 - 2.Voltage Rating: 10V AC
 - 3.Contact Resistance: 100 mΩ Max.
 - 4.Insulation Resistance: 1000 MΩ Min.
- Environmental:**
- 1.Operating Temperature: -25°C ~ 95°C.

Material:

- 1.Housing: LCP
 - 2.Contact: Phosphor Bronze
- Finish:**
- 1.Contact: Plated Gold in Mating Area ;
Tin Plated on Solder Balls ;
Nickel under plated overall

KSD 科斯达电子科技有限公司
 SWITCH CONNECTOR KSD ELECTRONIC TECHNOLOGY Co., LTD
 全球 互联零组件制造企业

TOLERANCE UNLESS OTHERWISE STATED :	Up to 5 ±0.2	3RD. ANGEL'S	UNITS	MM
	Above 5 ~ 15 ±0.3			
	Above 15 ~ 30 ±0.4			
	Above 30 ~ 50 ±0.5			
	Angle ±0.3			

ITEM NO.	DESCRIPTION	DRAWN	DATE
2	更新尺寸及更新為A0版	Jack	013118
1	更新圖面	Jack	012418

DRAWN BY:	DATE	MAT'L	TITLE	CONNECTOR
Jack Lu	01/31/18			
CHECKED BY:	DATE	FINISH	MODLE	SIM CARD CONNECTOR 6PIN 掀蓋式
Jacky Chen	01/31/18			
APPROVED BY:	DATE	SCALE	DWG NO.	SIM-8006F216000-S267
Tony Kao	01/31/18	1 : 1		
		SHEET NO.	PART NO.	SIM-8006F216000-S267
		1 of 1		

SIZE	A4
VER	A0