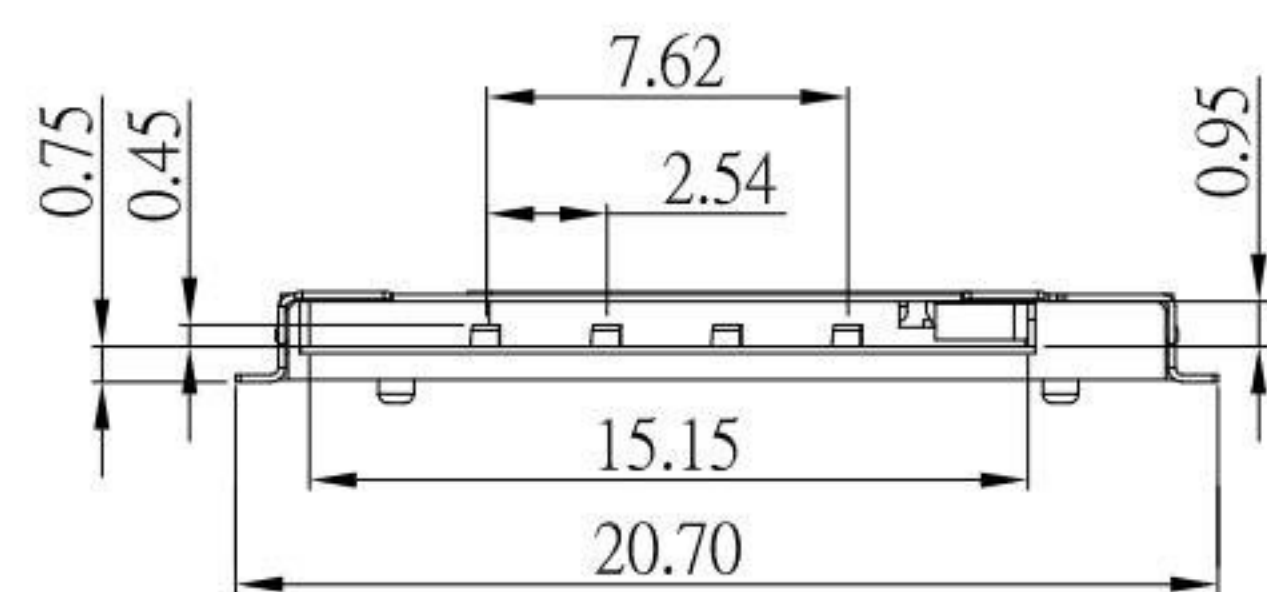


P.C.B LAYOUT MOUNTING PATTERN



SIM pin assignment	
PIN#	Name
C1	VCC
C2	RST
C3	CLK
C4	Reserved
C5	GND
C6	VPP
C7	I/O
C8	Reserved

SPECIFICATION

Electrical :

- 1.Current Rating: 0.5A
- 2.Voltage Rating: 40V
- 3.Contact Resistance:100 mΩ Max.
- 4.Insulation Resistance: 1000 MΩ Min.

Environmental:

- 1.Operating Temperature: -40°C ~ +85°C.

Material:

- 1.Housing: LCP
- 2.Contact: Phosphor Bronze
- 3.Shell: Stainless Steel

Finish:

- 1.Contact: Plated Gold in Mating Area ;
Tin Plated on Solder Balls ;
Nickel under plated overall
- 2.Shell: Nickel under Plated surface layer

ITEM NO.	DESCRIPTION	DRAWN	DATE
4	更新樣式	Jack	031122
3	更新SPEC和材質	Jack	030922
2	新增尺寸及SPEC	Jack	041621
1	更新樣式	Jack	053019

KSD 科斯达电子科技有限公司
 SWITCH CONNECTOR KSD ELECTRONIC TECHNOLOGY Co., LTD
 全球 互聯零組件製造企業

TOLERANCE UNLESS OTHERWISE STATED :

Up to 5	±0.2
Above 5 ~ 15	±0.3
Above 15 ~ 30	±0.4
Above 30 ~ 50	±0.5
Angle	±0.3

3RD. ANGEL'S

UNITS MM

DRAWN BY:	DATE	MAT'L	TITLE	CONNECTOR
Jack Lu	03/11/22			
CHECKED BY:	DATE	FINISH	MODLE	
Jacky Chen	03/11/22		SIM Card PUSH 8+1 右開關 H1.85mm	
APPROVED BY:	DATE	SCALE	DWG NO.	SIZE
Tony Kao	03/11/22	1 : 1	SIM-SFB008R-S304	A4
SHEET NO.		PART NO.		VER
1 of 1		SIM-SFB008R-S304		R4