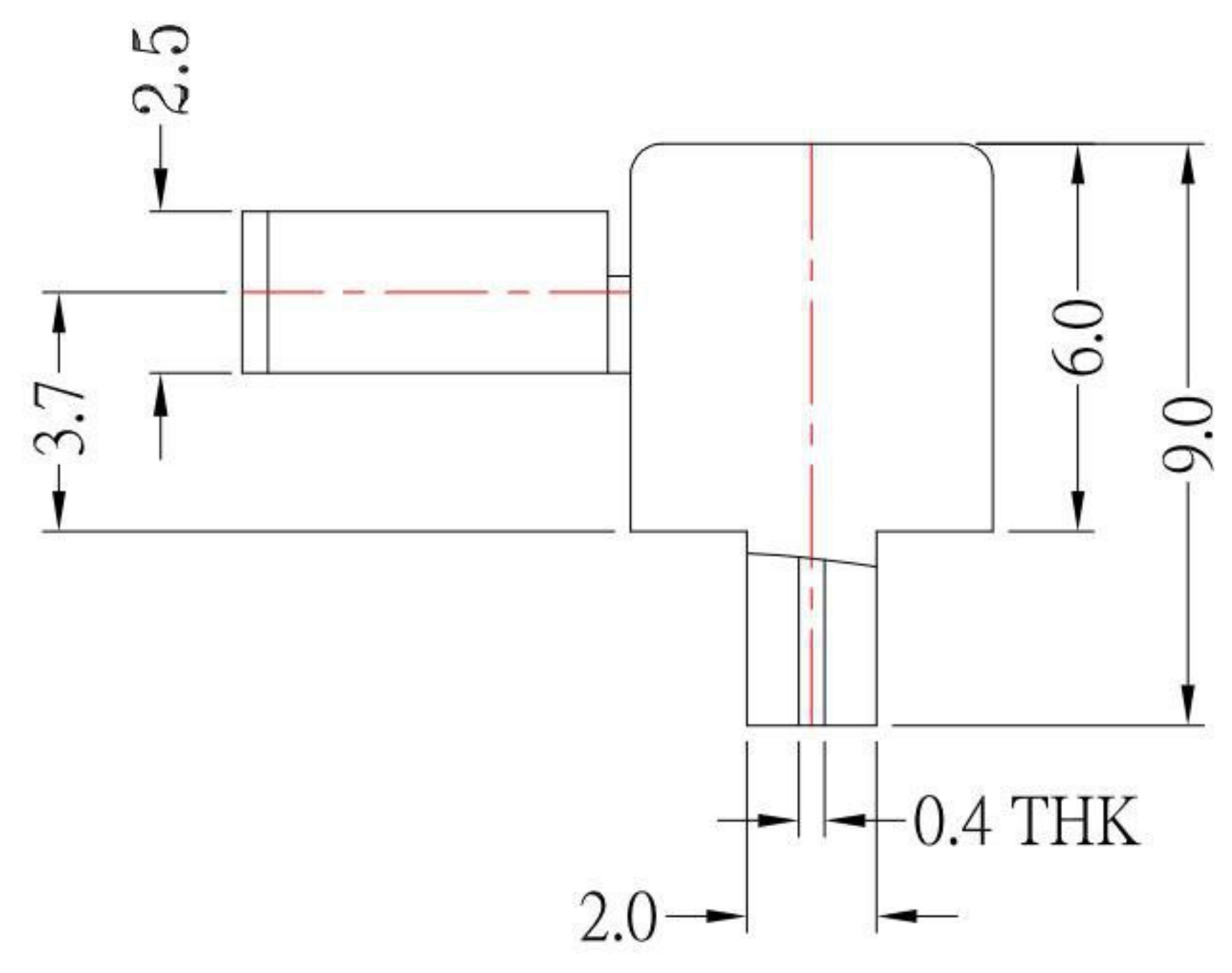
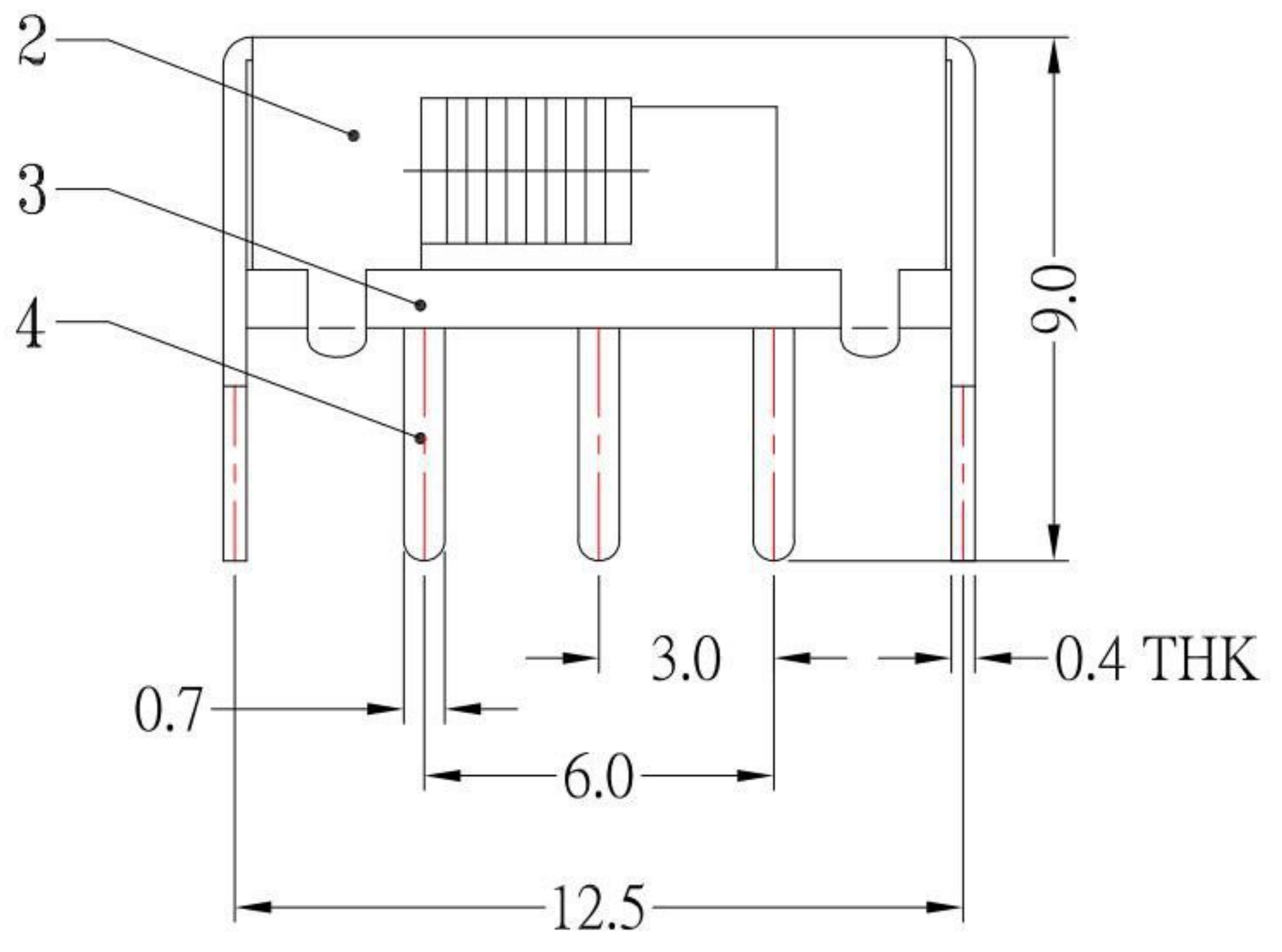


| MODEL NO. | X(mm) |
|------------------|-------|
| SK-12E14-G2-S191 | 2mm |
| SK-12E14-G3-S191 | 3mm |
| SK-12E14-G4-S191 | 4mm |
| SK-12E14-G5-S191 | 5mm |
| SK-12E14-G6-S191 | 6mm |
| SK-12E14-G7-S191 | 7mm |
| SK-12E14-G8-S191 | 8mm |
| SK-12E14-G9-S191 | 9mm |



SPECIFICATIONS

| | |
|------------------------|----------------|
| Rating | DC 50V 0.5A |
| Circuit | 1P - 2T |
| Timing | Non - Shorting |
| Contact Resistance | 200mΩ Max. |
| Insulation Resistance | 100MΩ Min. |
| Operating Force | 200gf ±80gf |
| Operating Life (cycle) | 10,000 Min. |

| NO. | DESCRIPTION | QTY | MATERIAL | PLATING |
|-----|-------------|-----|-----------------|------------|
| 6 | Spring | 1 | Stainless Steel | Natural |
| 5 | Contact | 1 | Brass | Ag-Plating |
| 4 | Terminal | 3 | Brass | Ag-Plating |
| 3 | Base | 1 | Phenolic Resin | Natural |
| 2 | Frame | 1 | SPCC | Ni-Plating |
| 1 | Knob | 1 | POM | Black |

KSD 科斯达电子科技有限公司
 SWITCH CONNECTOR KSD ELECTRONIC TECHNOLOGY Co., LTD
 全球 互聯零組件製造企業

| | | | | |
|------------------------------------|--------------------|--------------|-------|-------|
| TOLERANCE UNLESS OTHERWISE STATED: | Up to 5 ±0.2 | 3RD. ANGEL'S | UNITS | MM |
| | Above 5 ~ 15 ±0.3 | | | |
| | Above 15 ~ 30 ±0.4 | | | |
| | Above 30 ~ 50 ±0.5 | | | |
| | Angle | | | ±0.3° |

| | |
|--------------|----------|
| DRAWN BY: | DATE |
| Jack Lu | 03/05/15 |
| CHECKED BY: | DATE |
| Jacky Chen | 03/05/15 |
| APPROVED BY: | DATE |
| Tony Kao | 03/05/15 |

| | | |
|-----------|----------|------------------|
| MAT'L | TITLE | SWITCH |
| FINISH | MODLE | SLIDE SWITCH |
| SCALE | DWG NO. | SK-12E14-Gx-S191 |
| SHEET NO. | PART NO. | SK-12E14-Gx-S191 |
| 1 of 1 | | |

| ITEM NO. | DESCRIPTION | DRAWN | DATE |
|----------|-------------|-------|--------|
| 3 | 更新圖面尺寸 | Jack | 030515 |
| 2 | 新增SPEC | Jack | 111914 |
| 1 | 更新材質 | Jack | 061913 |