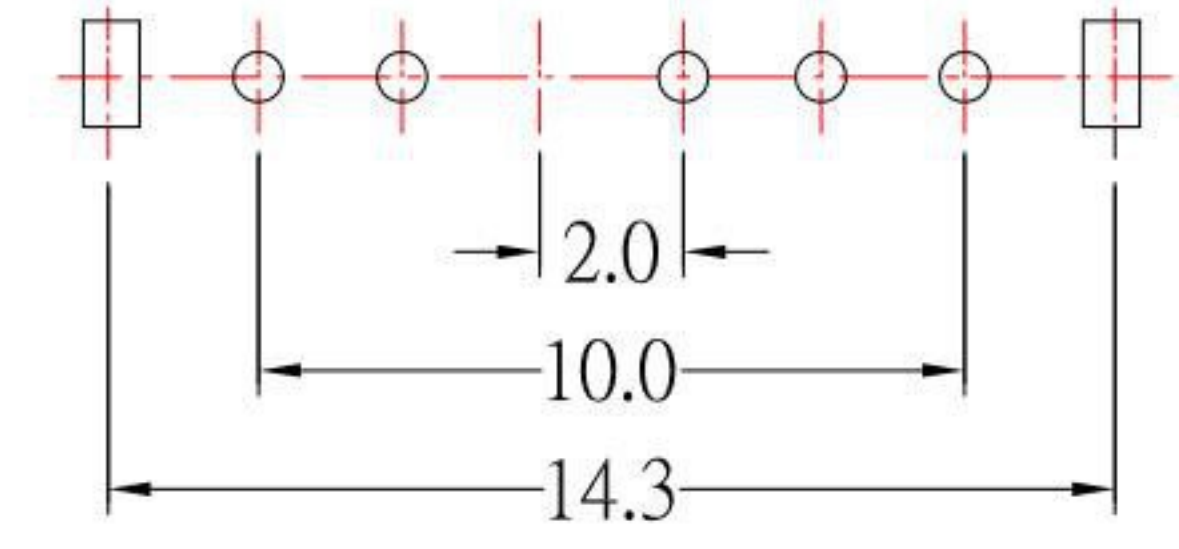


SCHEMATIC (SHORTING)

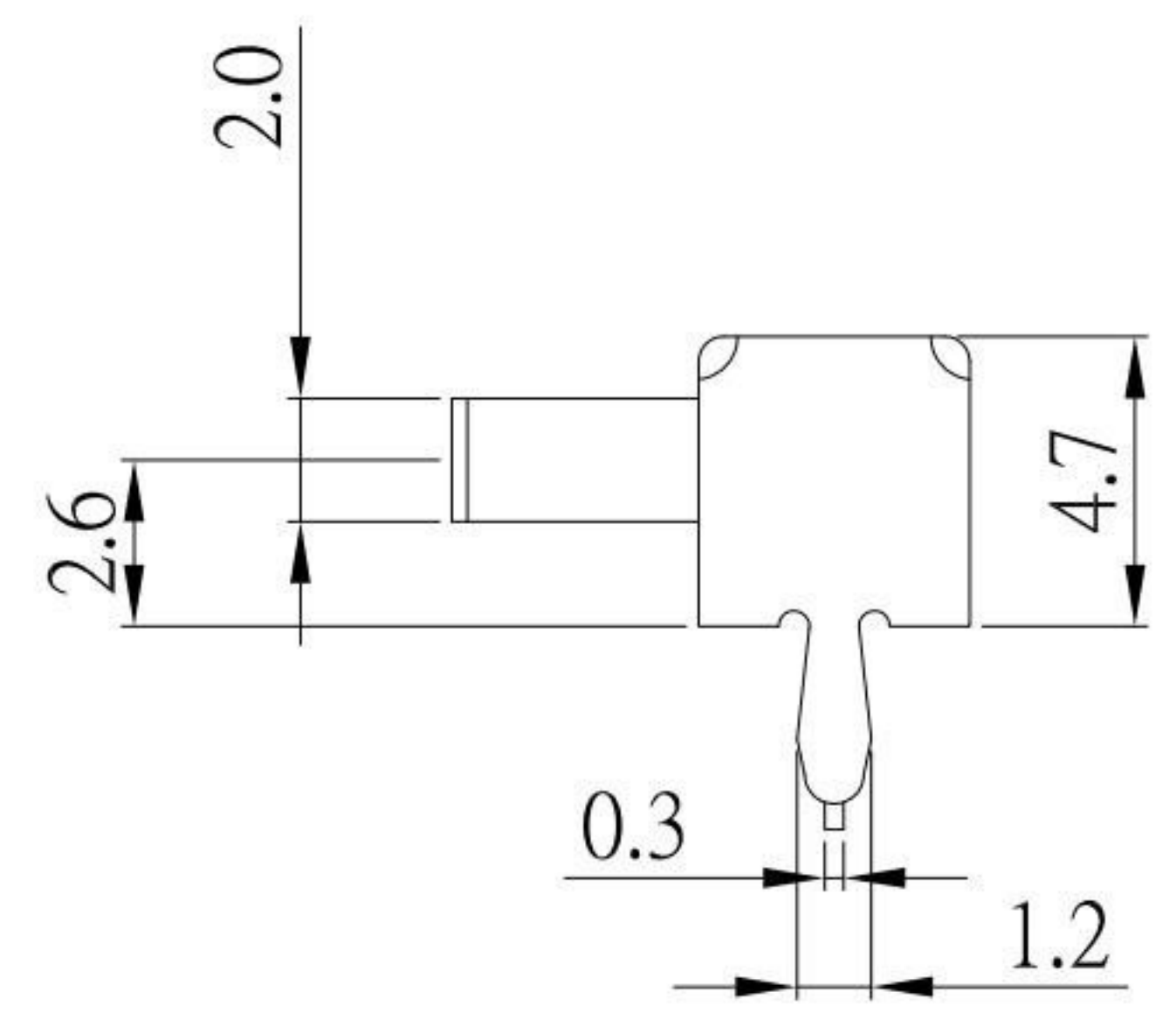
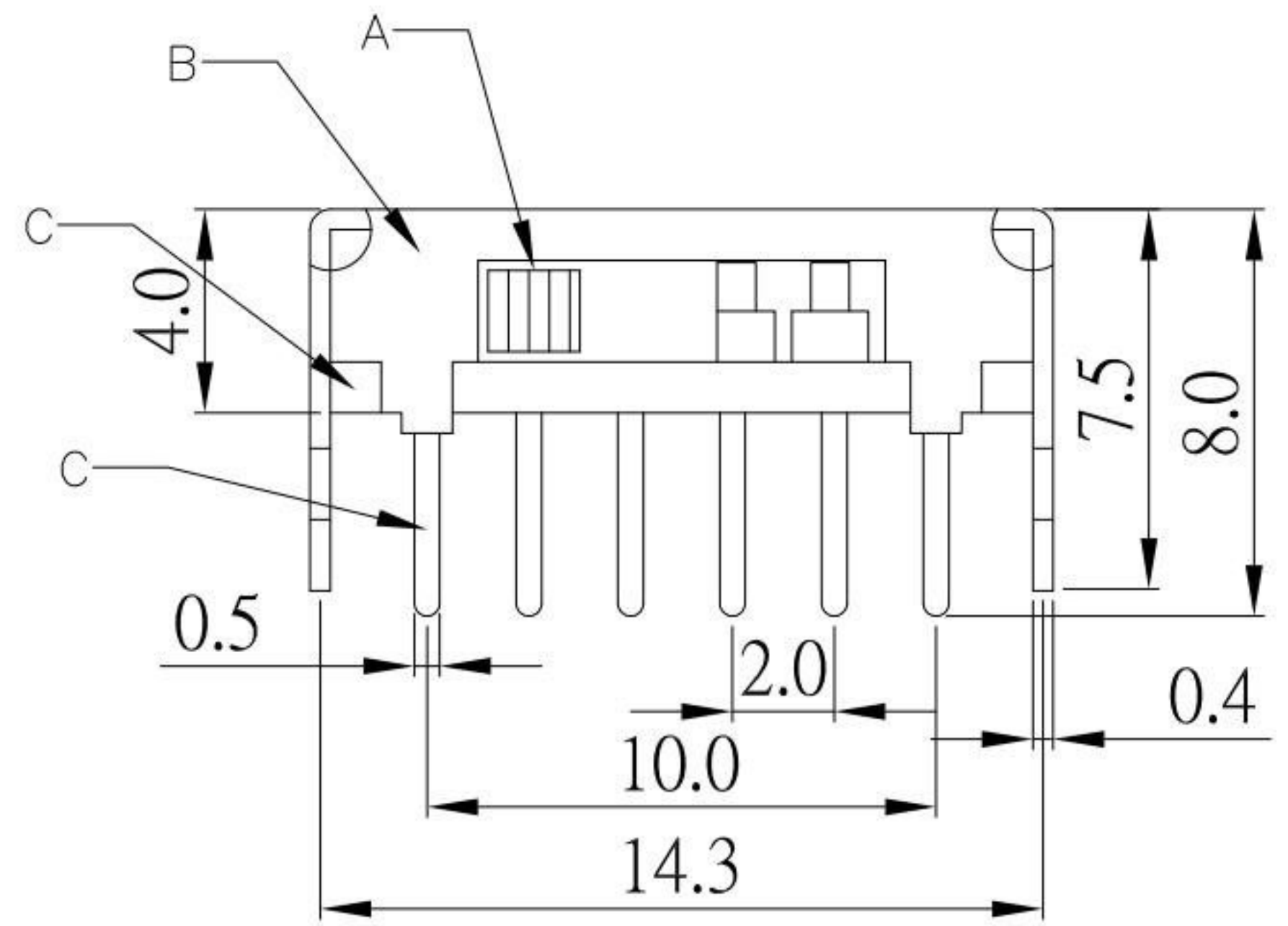


P.C.B MOUNTING PATTERN

Model No.	X (mm)
SK-14D01-G2	2.0
SK-14D01-G3	3.0
SK-14D01-G4	4.0
SK-14D01-G5	5.0
SK-14D01-G6	6.0
SK-14D01-G7	7.0
SK-14D01-G8	8.0
SK-14D01-G9	9.0

SPECIFICATIONS

Rating	DC 50V 0.3A
Circuit	1P - 4T
Timing	Shorting
Contact Resistance	200mΩ Max.
Insulation Resistance	100MΩ Min.
Operating Force	250gf ±100gf
Operating Life (cycles)	10,000



NO.	PART	MATERIAL	QAY	REMARKS
A	KNOB	POM	1	BLACK
B	FRAME	SPCC	1	NICKEL PLATED
C	TERMINAL BASE	PHENOLIC RESIN	1	NATURAL
D	TERMINAL	BRASS STRIP	6	SILVER PLATED
E	SPRING	STAINLESS STEEL	1	
F	CONTACT (CLIP)	PBS	1	SILVER PLATED

**KSD** 科斯达电子科技有限公司  
 SWITCH CONNECTOR 全球 互 联 零 组 件 制 造 企 业  
 KSD ELECTRONIC TECHNOLOGY Co., LTD

TOLERANCE UNLESS OTHERWISE STATED:  
 Up to 5 ±0.2  
 Above 5 ~ 15 ±0.3  
 Above 15 ~ 30 ±0.4  
 Above 30 ~ 50 ±0.5  
 Angle ±0.3°

3RD. ANGEL'S

UNITS MM

DRAWN BY:	DATE	MAT'L	TITLE	SWITCH
Jack Lu	11/19/14			
CHECKED BY:	DATE	FINISH	MODLE	SLIDE SWITCH
Jacky Chen	11/19/14			
APPROVED BY:	DATE	SCALE	DWG NO.	SK-14D01-Gx-S191
Tony Kao	11/19/14	1 : 1		
		SHEET NO.	PART NO.	SK-14D01-Gx-S191
		1 of 1		

ITEM NO.	DESCRIPTION	DRAWN	DATE
1	新增SPEC	Jack	111914
1	更新材質	Jack	060313