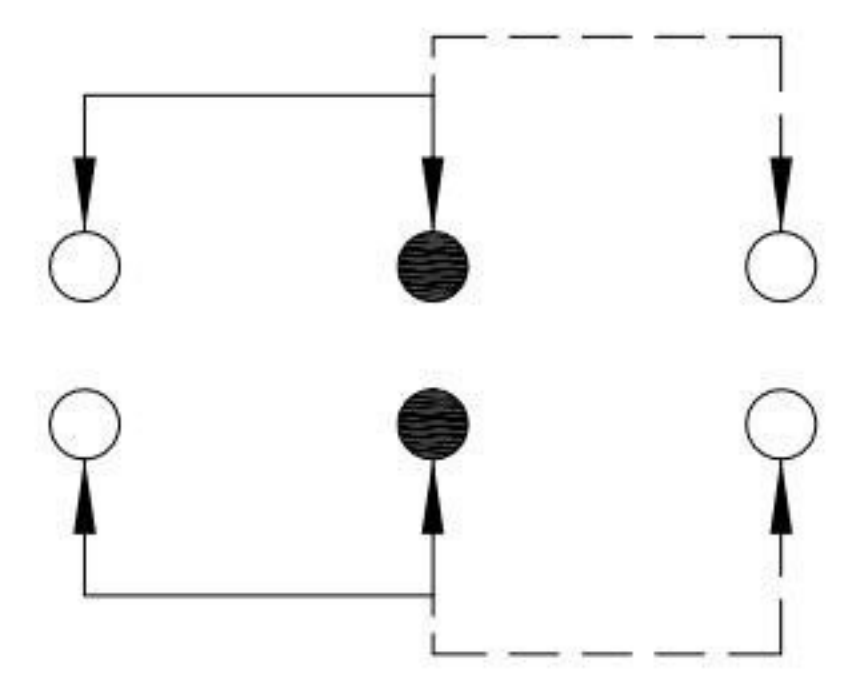
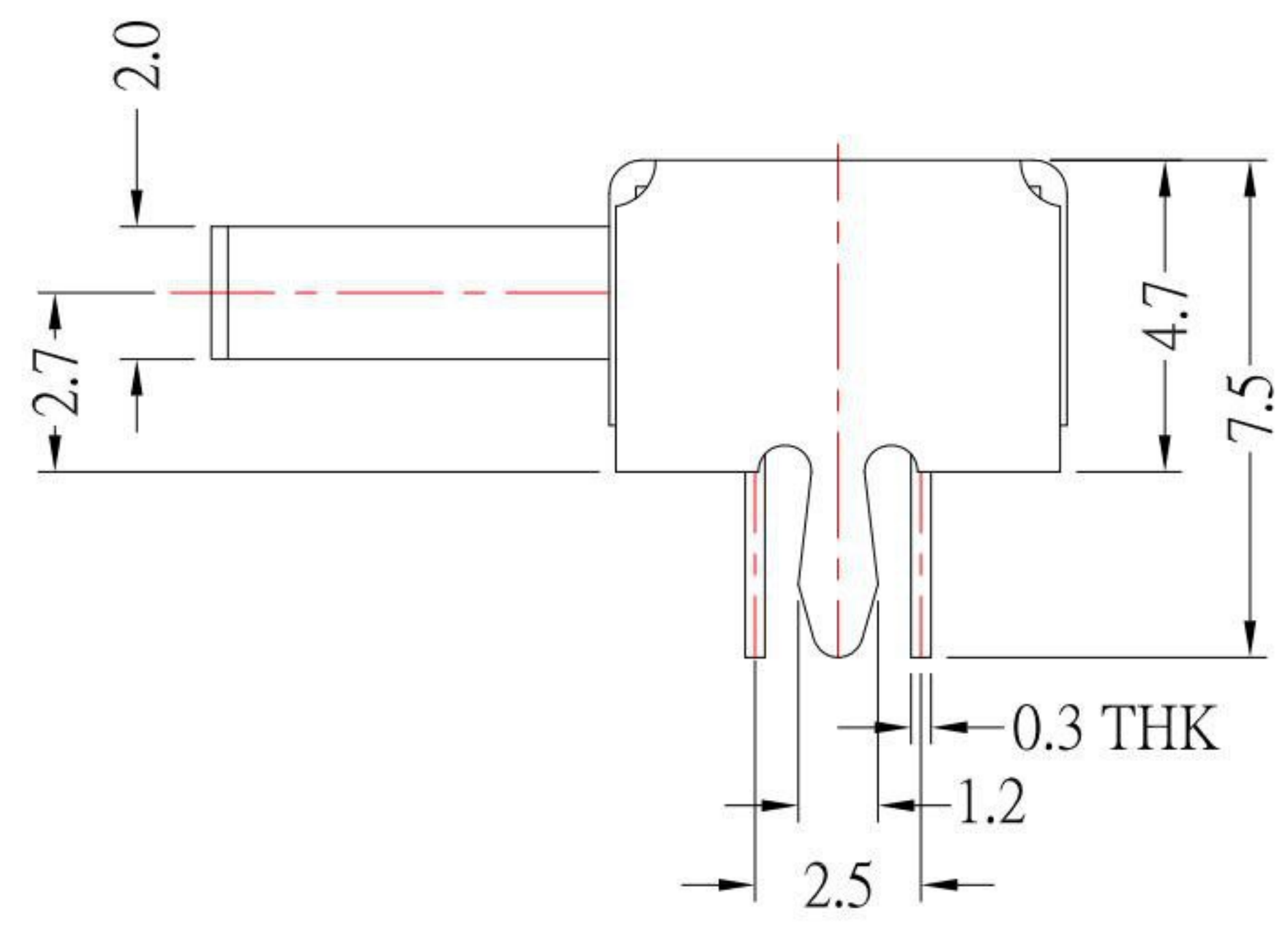
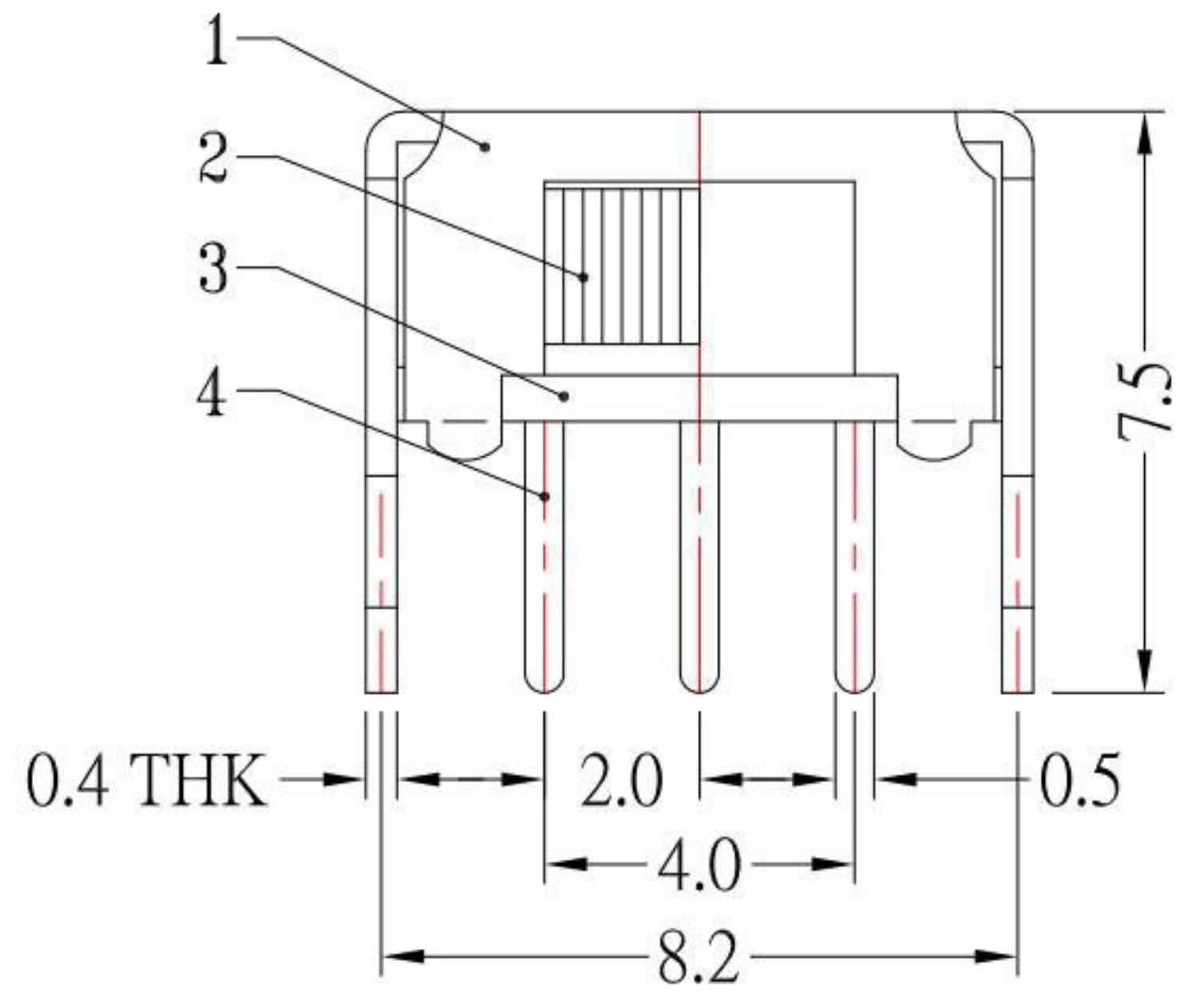


P.C.B LAYOUT
BOTTOM VIEW



SCHEMATIC (NON-SHORTING)

Model No.	X(mm)
SK-22D03-G2	2mm
SK-22D03-G3	3mm
SK-22D03-G4	4mm
SK-22D03-G5	5mm
SK-22D03-G6	6mm
SK-22D03-G7	7mm
SK-22D03-G8	8mm
SK-22D03-G9	9mm



SPECIFICATIONS

Rating	0.3A 50V DC
FUNCTION	2P2T
Contact Resistance	200mΩ Max.
Insulation Resistance	100MΩ Min.
Operating Force	350gf ± 100gf
Operating Life	10,000 cycle

NO.	PARTS	MATERIALS	QTY	FINISH
6	SPRING PLATE	PBS	1	NATURAL
5	CONTACT CLIP	PBS	2	Ag PLATED
4	TERMINAL	BRASS	6	Ag PLATED
3	BASE	PHENOLIC RESIN	1	NATURAL
2	KNOB	POM	1	BLACK
1	FRAME	SPCC	1	Ni PLATED

ITEM NO.	DESCRIPTION	DRAWN	DATE
6	更新Contact Resistance	Jack	070314
5	更新SPEC及材質和電流	Jack	103113
4	新增SPEC	Jack	102913
3	更新圖面	Jack	101713
2	更新尺寸	Jack	051413
1	更新尺寸	Jack	042513

KSD 科斯达电子科技有限公司
 SWITCH CONNECTOR KSD ELECTRONIC TECHNOLOGY Co., LTD
 全球 互聯零組件製造企業

TOLERANCE UNLESS OTHERWISE STATED:
 Up to 5 ±0.2
 Above 5 ~ 15 ±0.3
 Above 15 ~ 30 ±0.4
 Above 30 ~ 50 ±0.5
 Angle ±0.3°

3RD. ANGEL'S

UNITS MM

DRAWN BY:	DATE	MAT'L	TITLE	SWITCH
Jack Lu	07/03/14		MODLE	SLIDE SWITCH (Knob:2x2mm)
CHECKED BY:	DATE	FINISH	DWG NO.	SK-22D03-Gx-S191
Jacky Chen	07/03/14		SHEET NO.	1 of 1
APPROVED BY:	DATE	SCALE	PART NO.	SK-22D03-Gx-S191
Tony Kao	07/03/14	1 : 1		