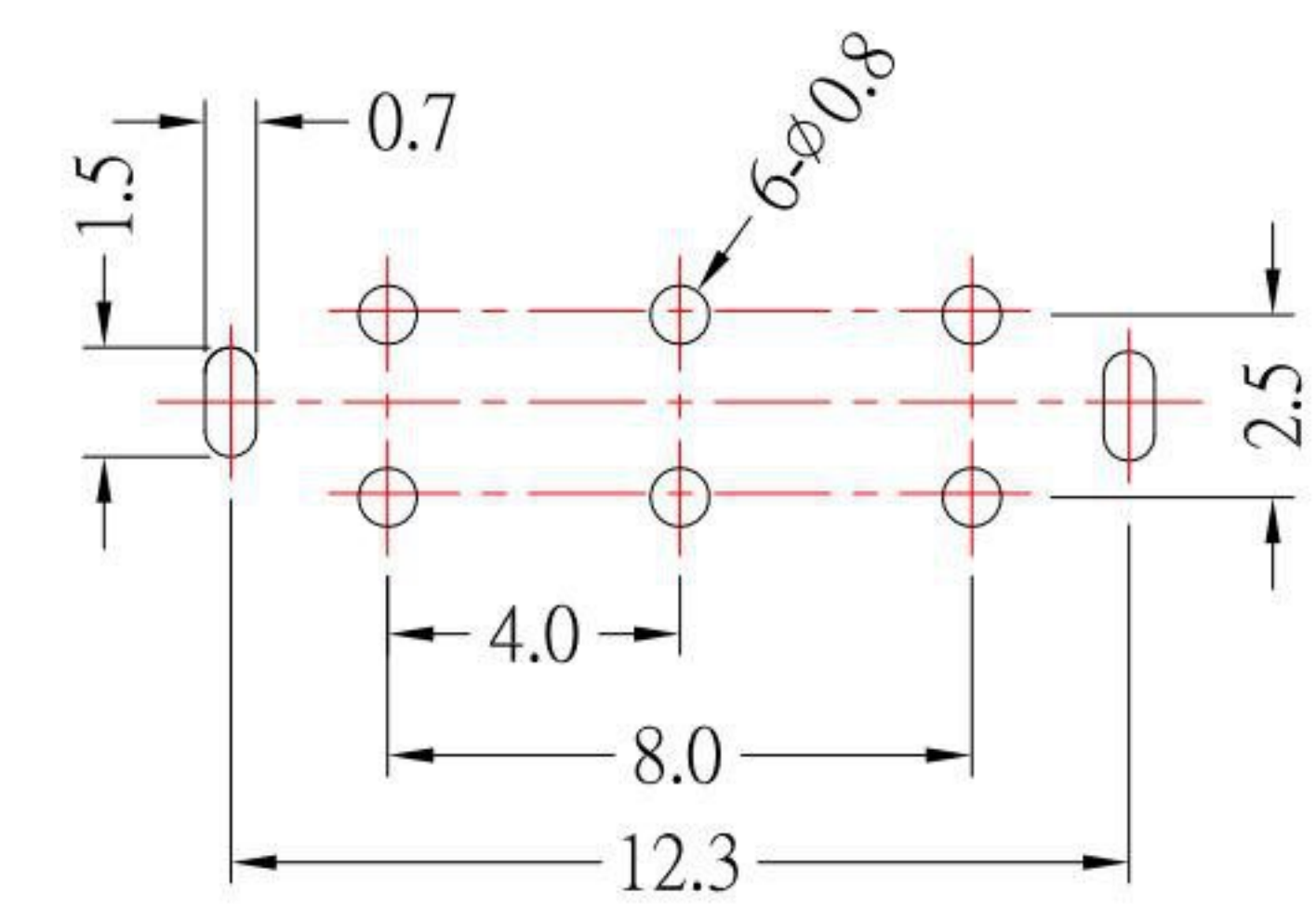
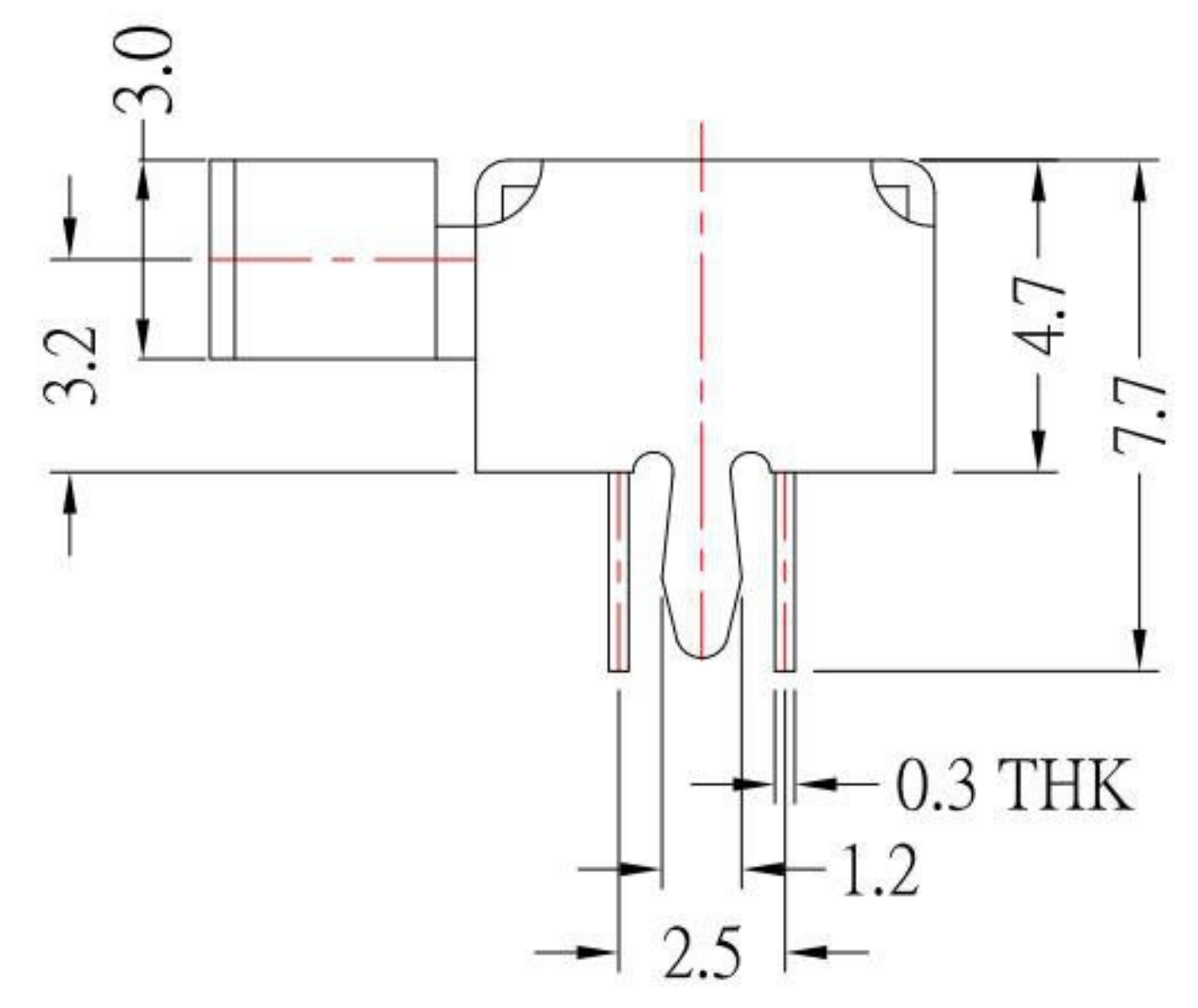
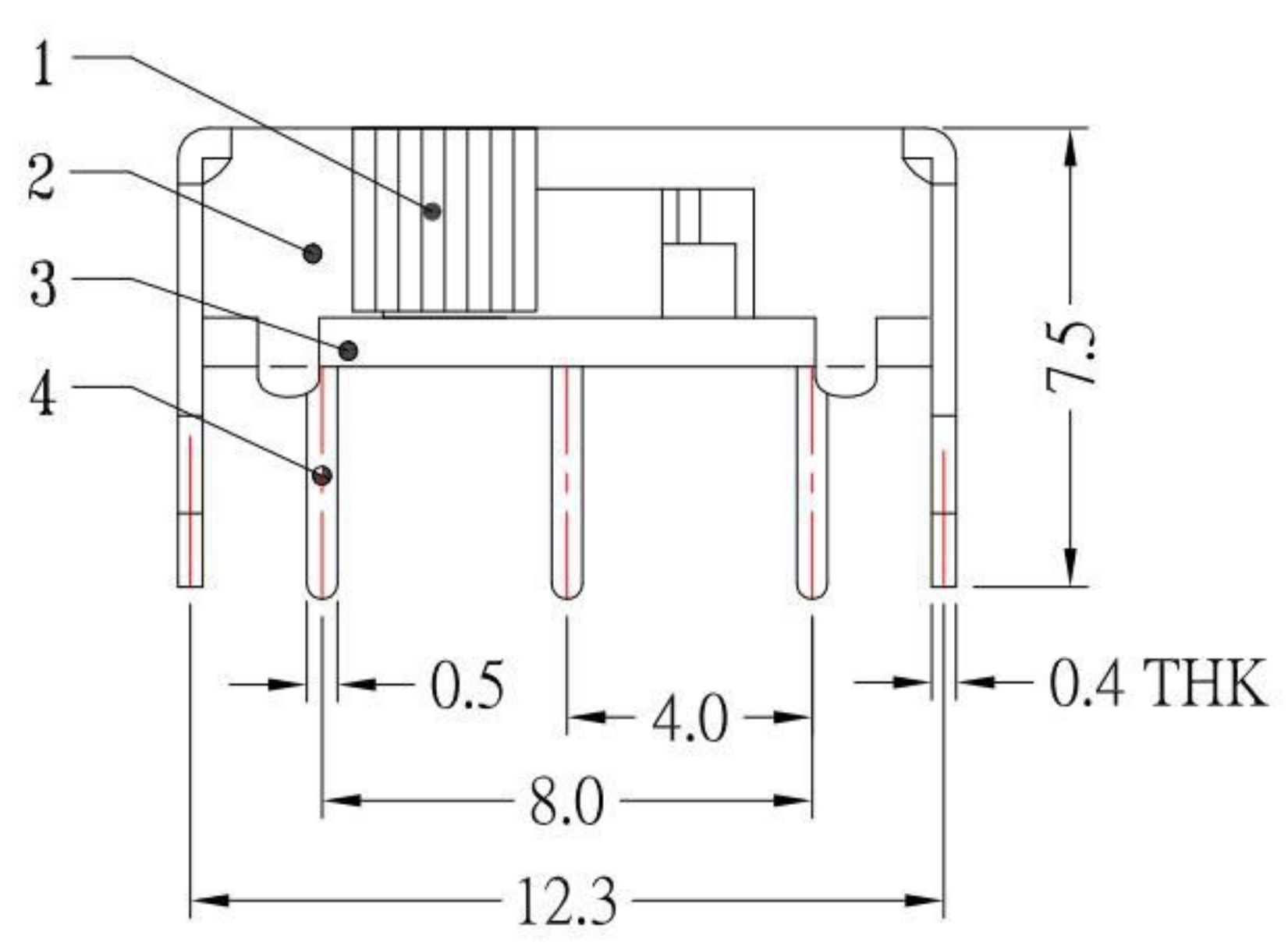


SCHMATIC



P.C.B MOUNTING PATTERN
BOTTOM VIEW



Model No.	X(mm)
SK-22H07-GA2	2mm
SK-22H07-GA3	3mm
SK-22H07-GA4	4mm
SK-22H07-GA5	5mm
SK-22H07-GA6	6mm
SK-22H07-GA7	7mm
SK-22H07-GA8	8mm
SK-22H07-GA9	9mm

NO.	DESCRIPTION	QTY	MATERIAL	REMARK
6	SPRING PLATE	1	PBS	Natural
5	CONTACT CLIP	2	PBS	Ag-Plated
4	TERMINAL	6	BRASS	Ag-Plated
3	BASE	1	PHENOLIC RESIN	Natural
2	FRAME	1	SPCC	Ni-Plated
1	KNOB	1	PA66	Black

KSD 科斯达电子科技有限公司
 SWITCH CONNECTOR KSD ELECTRONIC TECHNOLOGY Co., LTD
 全球 互 联 零 组 件 制 造 企 业

TOLERANCE UNLESS OTHERWISE STATED:
 Up to 5 ±0.2
 Above 5 ~ 15 ±0.3
 Above 15 ~ 30 ±0.4
 Above 30 ~ 50 ±0.5
 Angle ±0.3°

3RD. ANGEL'S

UNITS MM

DRAWN BY:	DATE	MAT'L	TITLE	SWITCH
Jack Lu	10/12/22			
CHECKED BY:	DATE	FINISH	MODLE	SLIDE SWITCH
Jacky Chen	10/12/22			
APPROVED BY:	DATE	SCALE	DWG NO.	SK-22H07-GAx-S191
Tony Kao	10/12/22	1:1		
		SHEET NO.	PART NO.	SK-22H07-GAx-S191
		1 of 1		

ITEM NO.	DESCRIPTION	DRAWN	DATE
1	更新TRAVEL	Jack	101222