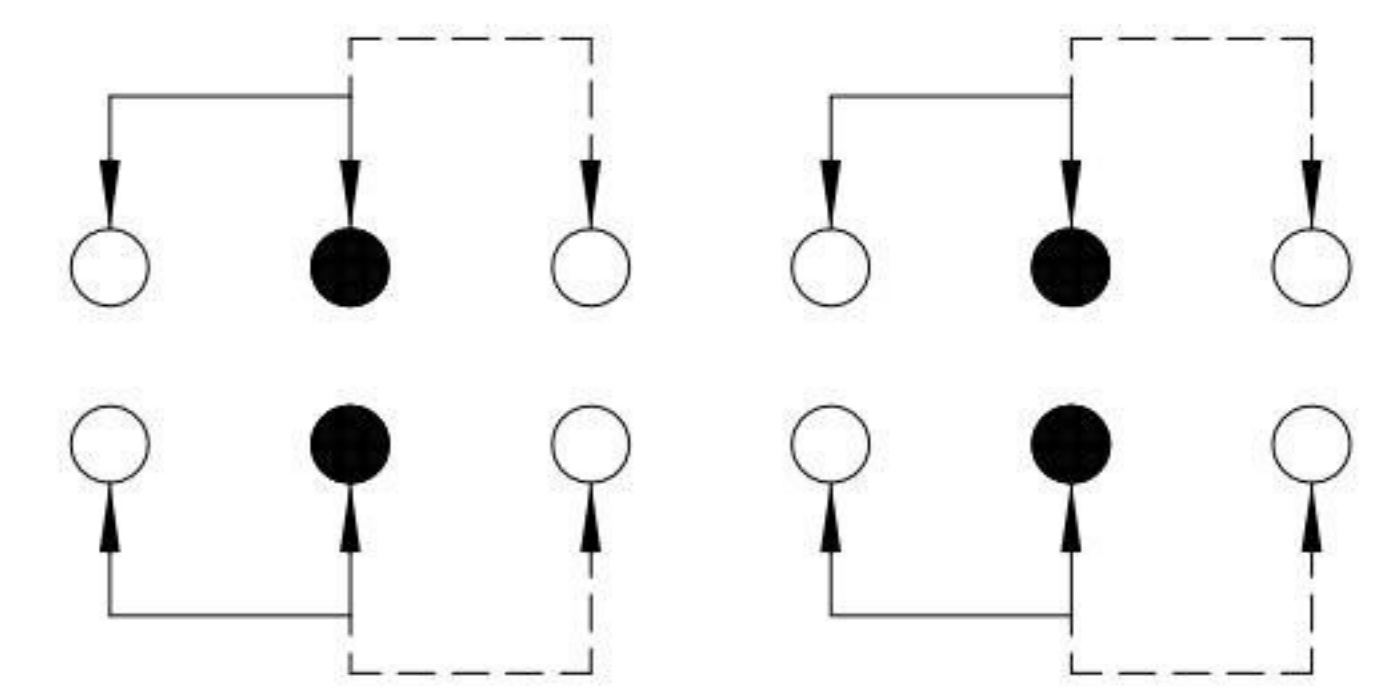
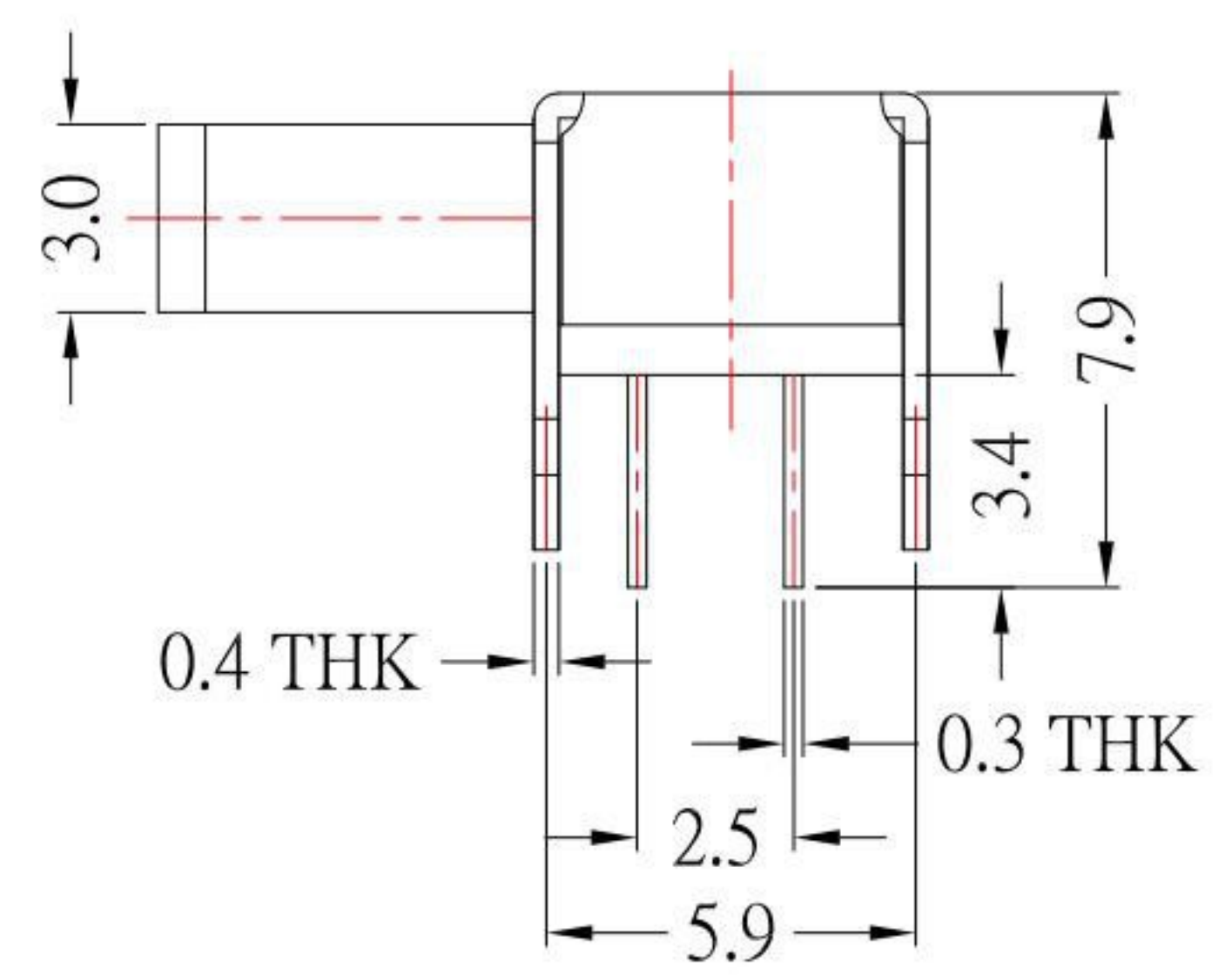
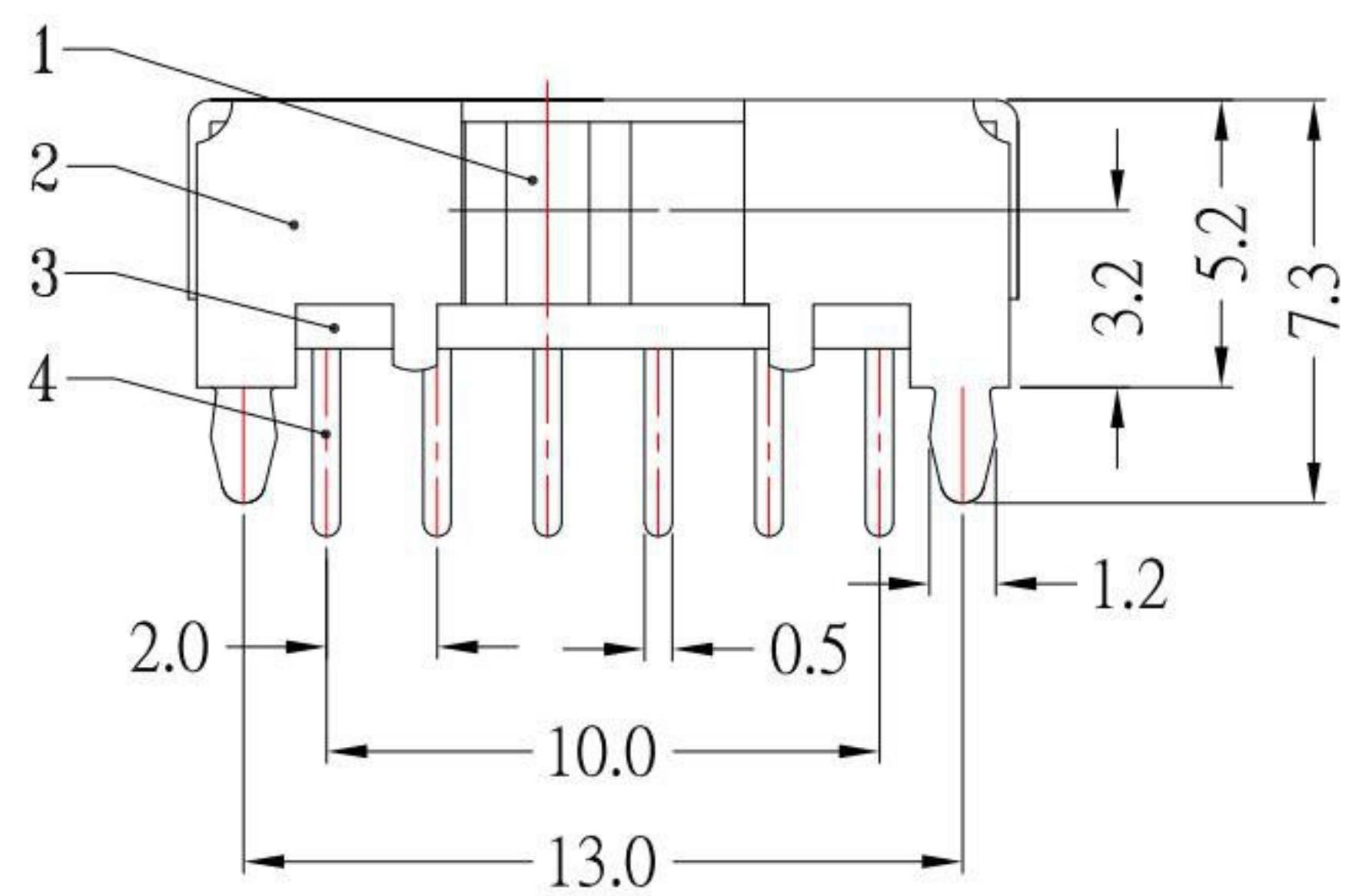


P.C.B LAYOUT  
BOTTOM VIEW



SCHEMATIC



Model No.	X(mm)
SK-42D01-G2	2.00
SK-42D01-G3	3.00
SK-42D01-G4	4.00
SK-42D01-G5	5.00
SK-42D01-G6	6.00
SK-42D01-G7	7.00
SK-42D01-G8	8.00
SK-42D01-G9	9.00

SPECIFICATIONS

Rating	0.3A 50V DC
FUNCTION	4P2T
Contact Resistance	200mΩ Max.
Insulation Resistance	100MΩ Min.
Operating Force	300gf ± 100gf
Operating Life	10,000 cycle

NO.	PARTS	MATERIALS	Q'TY	FINISH
6	SPRING PLATE	SUS	1	NATURAL
5	CONTACT CLIP	PBS	4	Ag PLATED
4	TERMINAL	BRASS	12	Ag PLATED
3	BASE	PHENOLIC RESIN	1	NATURAL
2	FRAME	STEEL	1	Ni PLATED
1	KNOB	POM	1	BLACK

**KSD** 科斯达电子科技有限公司  
 SWITCH CONNECTOR KSD ELECTRONIC TECHNOLOGY Co., LTD  
 全球 互 联 零 组 件 制 造 企 业

TOLERANCE UNLESS OTHERWISE STATED:

Up to 5	±0.2
Above 5 ~ 15	±0.3
Above 15 ~ 30	±0.4
Above 30 ~ 50	±0.5
Angle	±0.3°

3RD. ANGEL'S

DRAWN BY:	DATE	MAT'L	TITLE	SWITCH
Jack Lu	11/19/14		MODLE	SLIDE SWITCH
CHECKED BY:	DATE	FINISH	DWG NO.	SK-42D01-Gx-S191
Jacky Chen	11/19/14		PART NO.	SK-42D01-Gx-S191
APPROVED BY:	DATE	SCALE	1 of 1	
Tony Kao	11/19/14	SHEET NO.		

ITEM NO.	DESCRIPTION	DRAWN	DATE
1	新增SPEC	Jack	111914