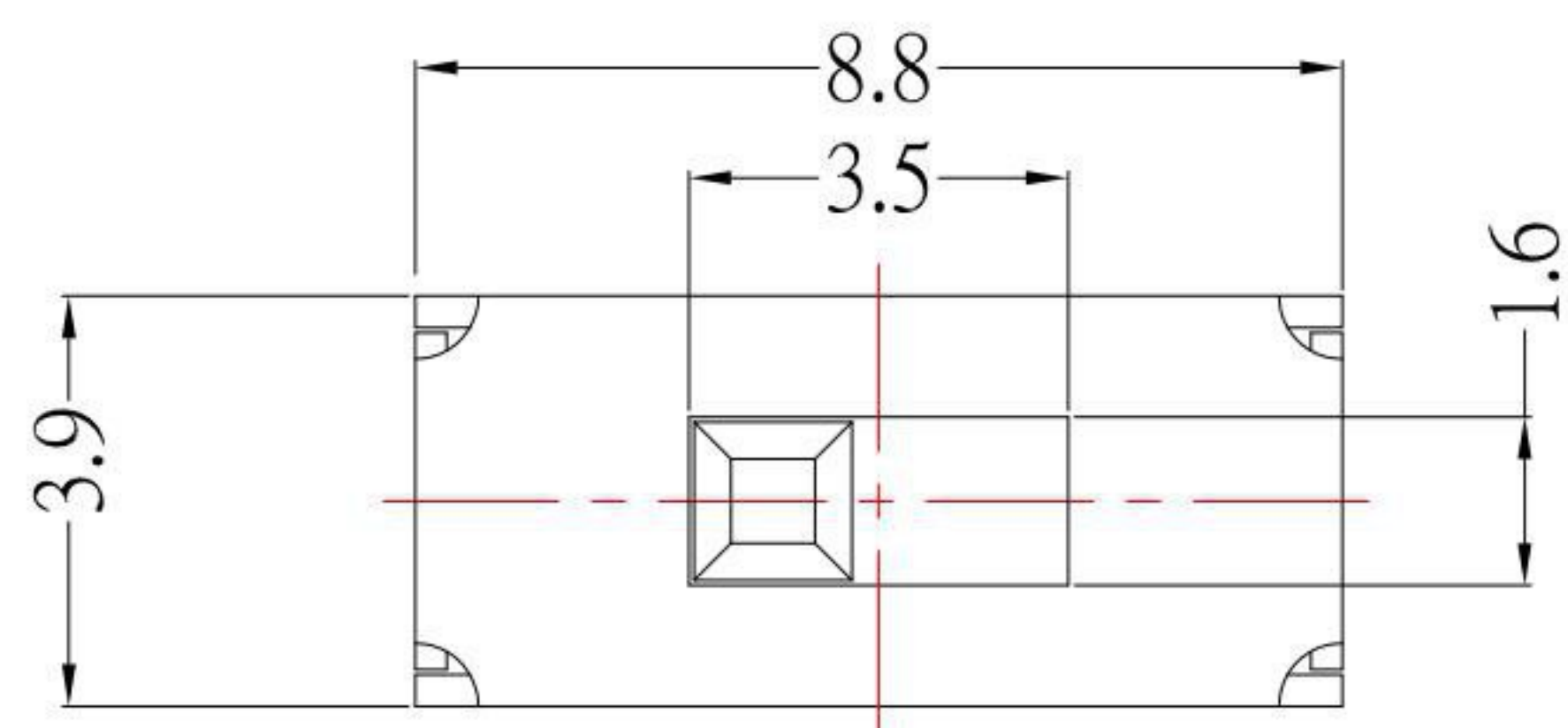
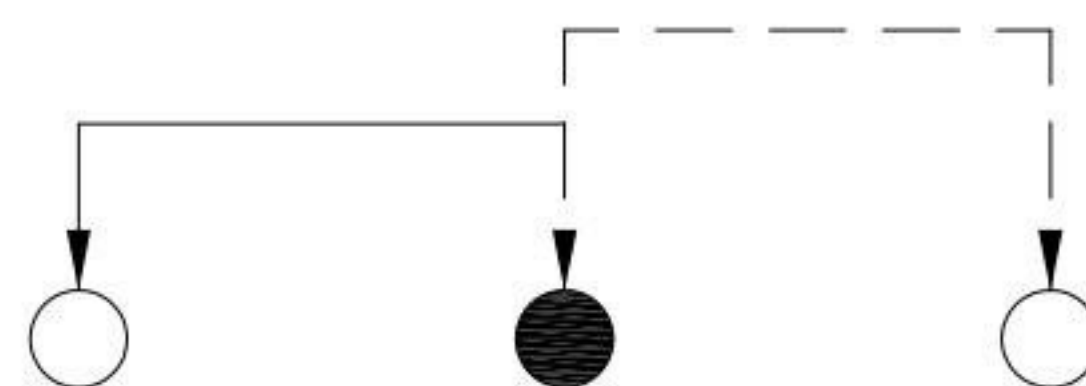




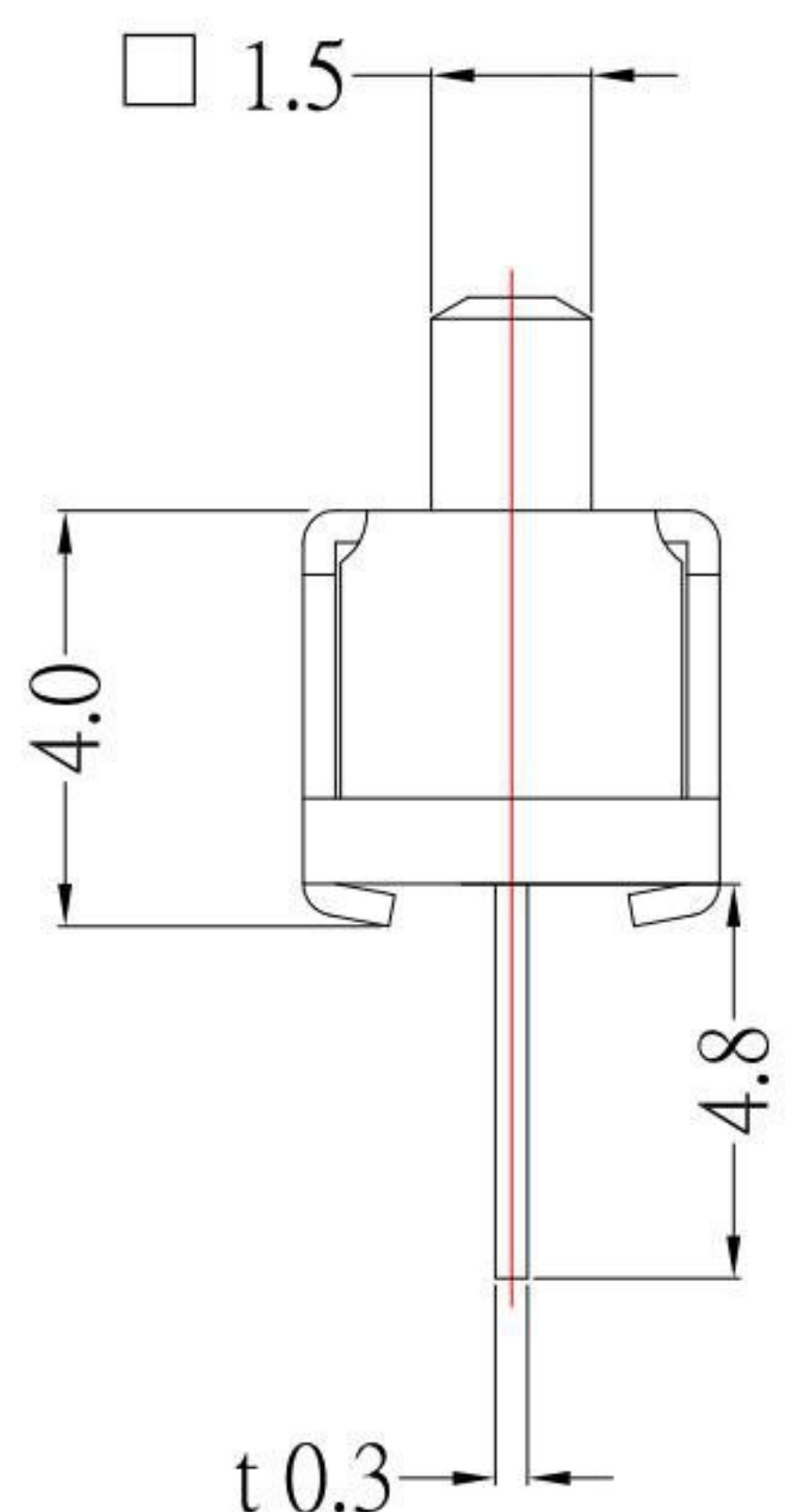
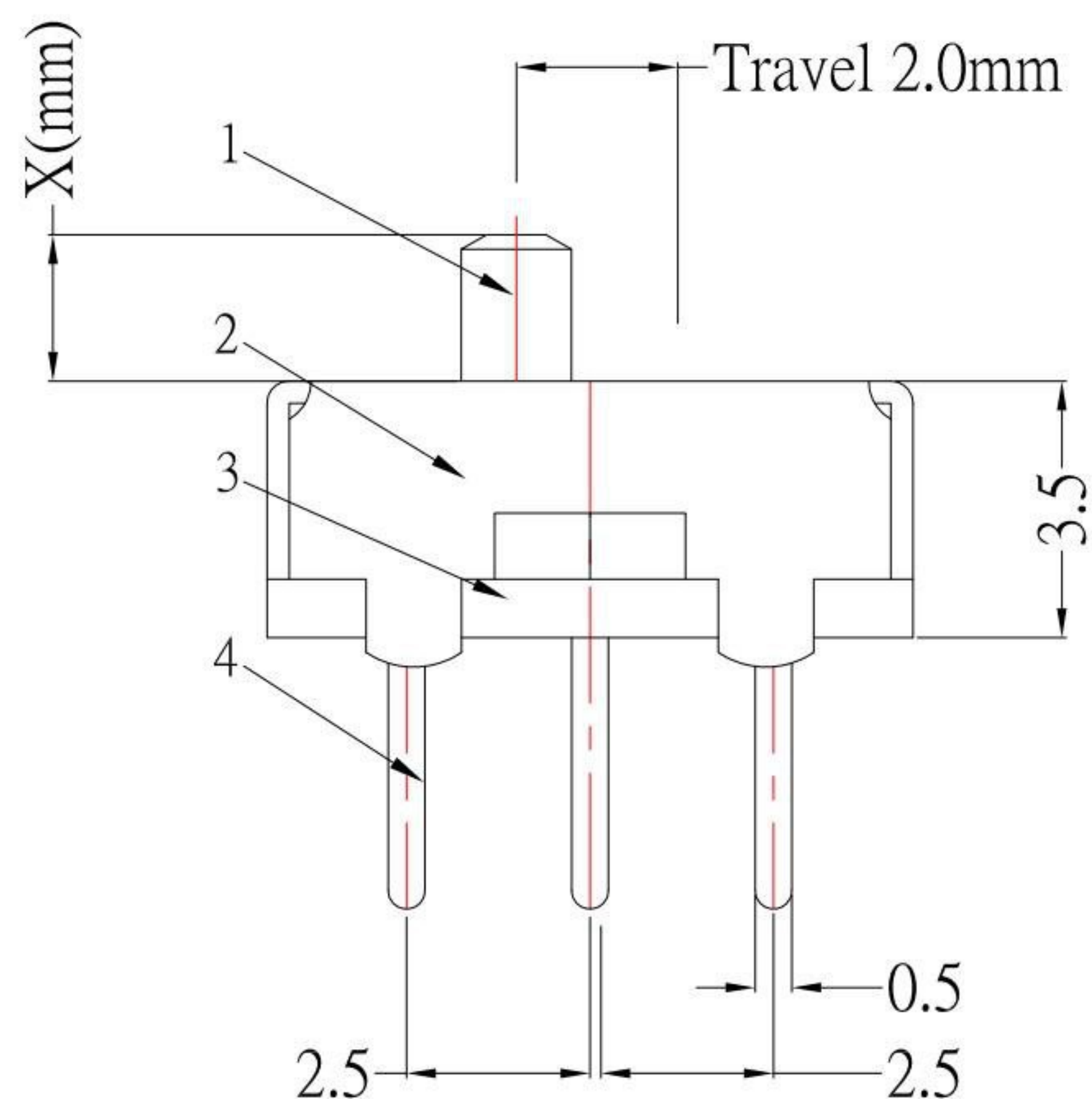
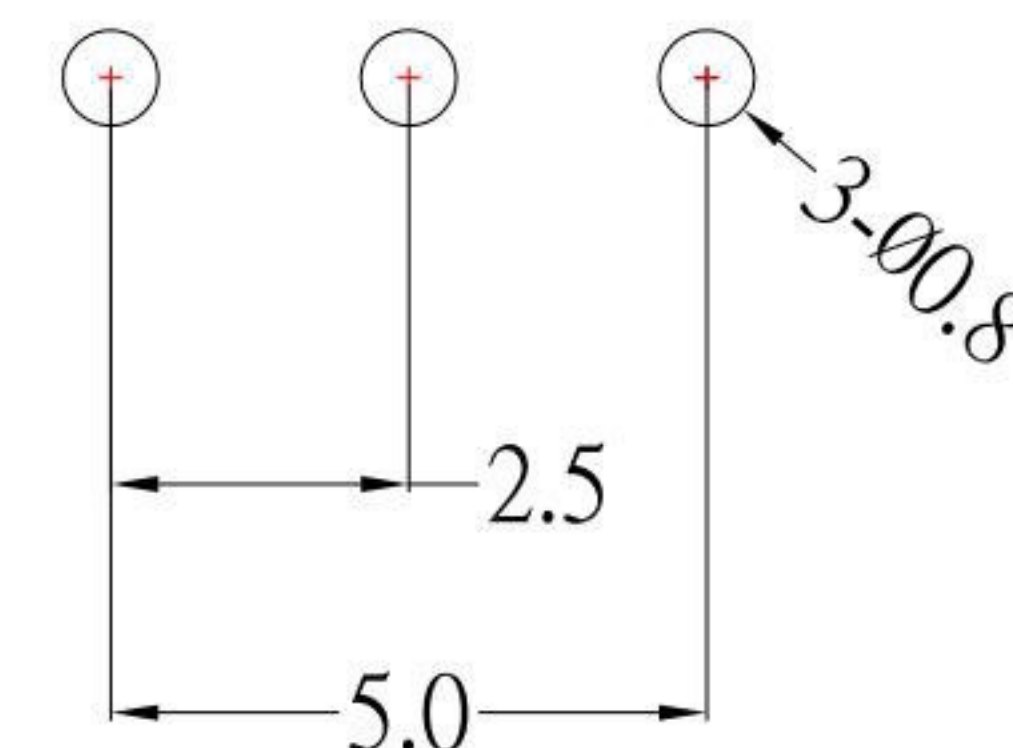
DIMENSIONS



SCHEMATIC



P.C.B MOUNTING PATTERN



Model No.	X(mm)
SS-12D01-G2	2mm
SS-12D01-G3	3mm
SS-12D01-G4	4mm
SS-12D01-G5	5mm
SS-12D01-G6	6mm
SS-12D01-G7	7mm
SS-12D01-G8	8mm
SS-12D01-G9	9mm

SPECIFICATIONS

Rating	0.3A 50V DC
FUNCTION	1P2T
Contact Resistance	200mΩ Max.
Insulation Resistance	100MΩ Min.
Operating Force	200gf ± 80gf
Operating Life	10,000 cycle

NO.	DESCRIPTION	QTY	MATERIAL	REMARK
5	CONTACT(CLIP)	1	BRASS	Ag-Plated
4	TERMINAL	3	BRASS	Ag-Plated
3	TERMINAL BASE	1	PHENOL IC RESIN	Natural
2	FRAME	1	SPCC	Ni-Plated
1	KNOB	1	POM	Black

6	更新圖面樣式	Jack	101515
5	更新MODLE	Jack	052915
4	新增SPEC	Jack	111914
3	更新3.9mm的尺寸為4.0mm	Jack	111414
2	新增3.9mm的尺寸	Jack	111214
1	更新尺寸及材質	Jack	031714
ITEM NO.	DESCRIPTION	DRAWN	DATE

KSD 科斯达电子科技有限公司
 SWITCH CONNECTOR KSD ELECTRONIC TECHNOLOGY Co., LTD
 全球 互聯零組件製造企業

TOLERANCE UNLESS OTHERWISE STATED:
 Up to 5 ±0.2
 Above 5 ~ 15 ±0.3
 Above 15 ~ 30 ±0.4
 Above 30 ~ 50 ±0.5
 Angle ±0.3°

3RD. ANGEL'S

UNITS MM

DRAWN BY:	DATE	MAT'L	TITLE	SWITCH
Jack Lu	10/15/15		MODLE	SLIDE SWITCH 1P2T 端子腳 L:4.8mm
CHECKED BY:	DATE	FINISH	DWG NO.	SS-12D01-Gx-S191
Jacky Chen	10/15/15		SHEET NO.	1 of 1
APPROVED BY:	DATE	SCALE	PART NO.	SS-12D01-Gx-S191
Tony Kao	10/15/15	1:1		