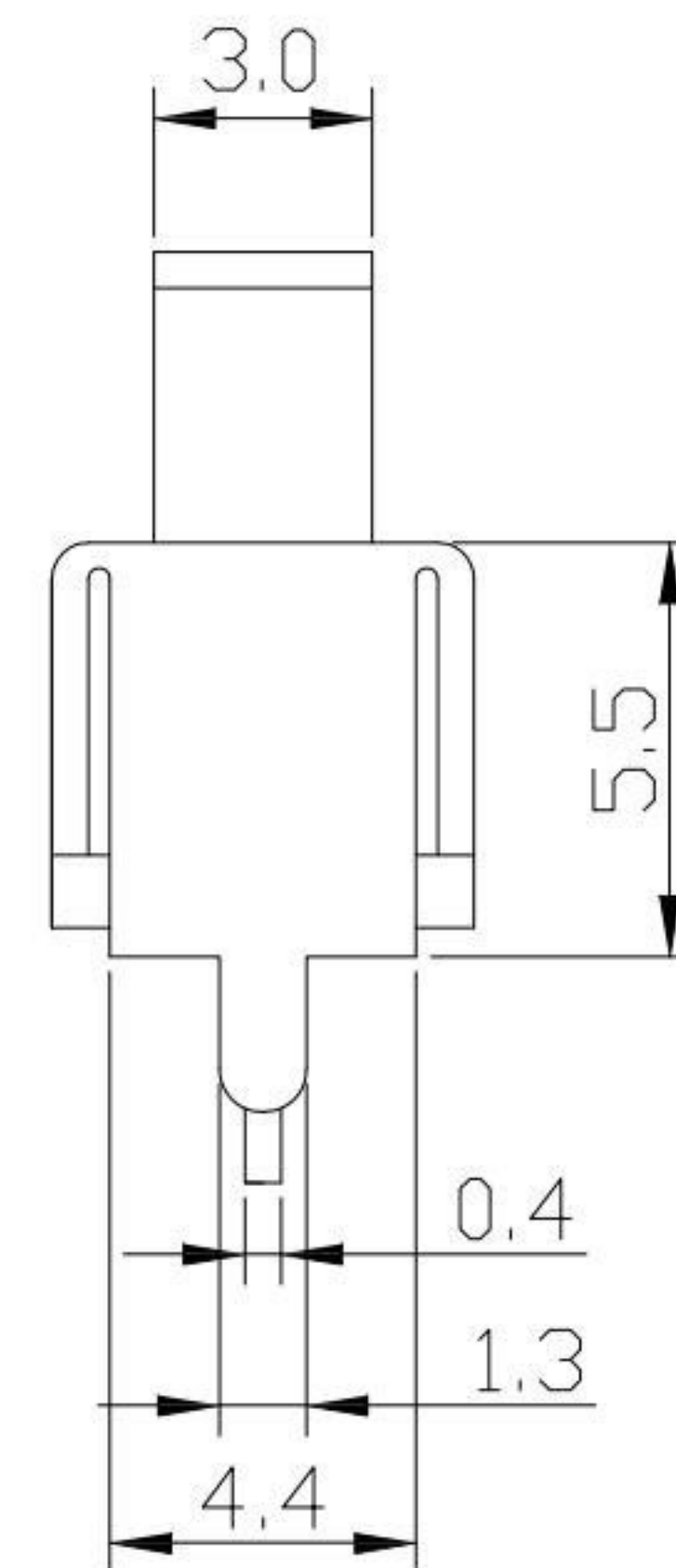
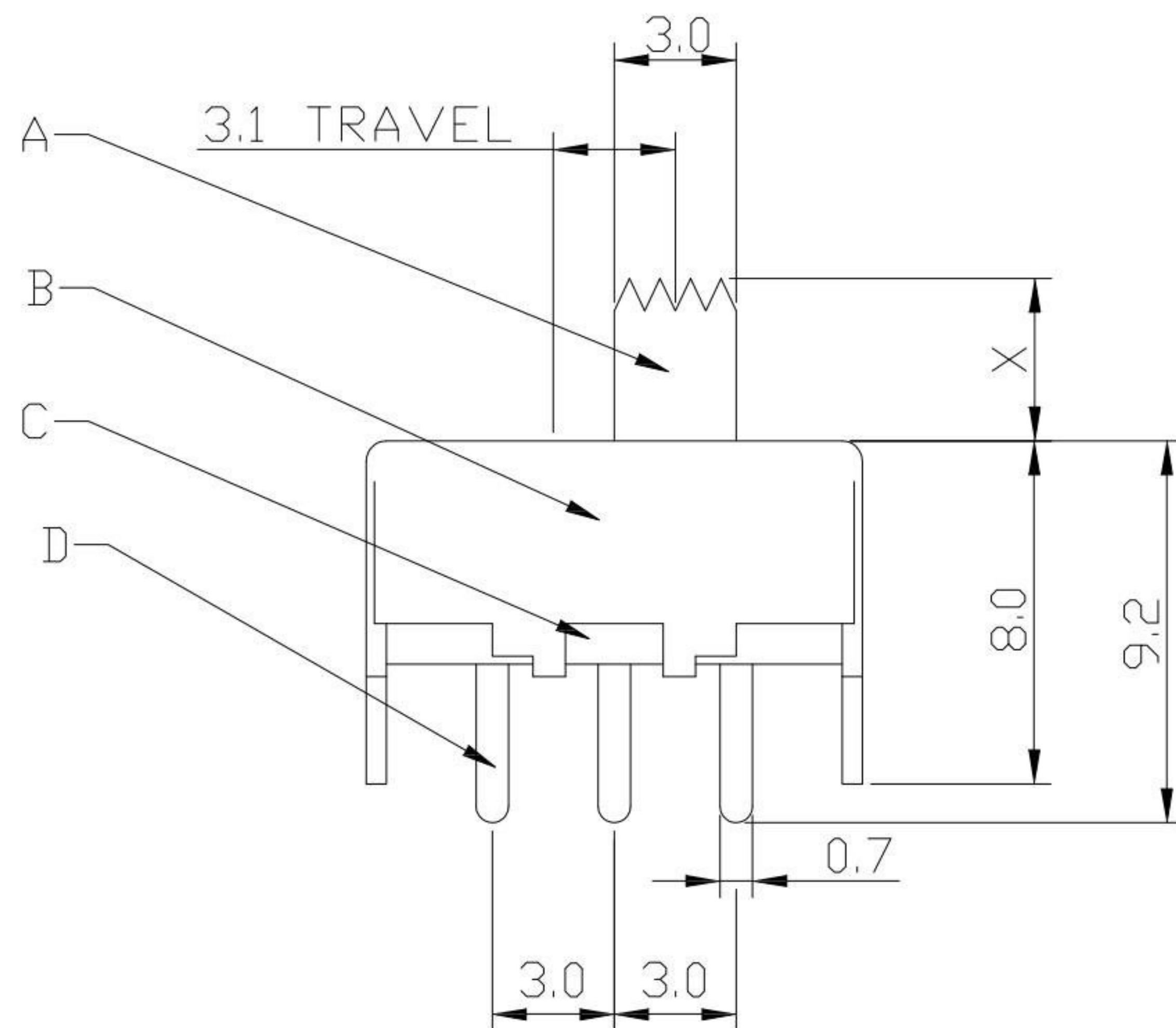


SCHEMATIC



Model No.	X(mm)
SS-12F45-G2	2mm
SS-12F45-G3	3mm
SS-12F45-G4	4mm
SS-12F45-G5	5mm
SS-12F45-G6	6mm
SS-12F45-G7	7mm
SS-12F45-G8	8mm
SS-12F45-G9	9mm

SPECIFICATIONS

Rating	DC 50V 0.5A
Circuit	1P - 2T
Contact Resistance	200mΩ Max.
Insulation Resistance	100MΩ Min.
Operating Force	180gf ± 80gf
Operating Life (cycles)	10,000

NO.	DESCRIPTION	QTY	MATERIAL	REMARK
F	CONTACT CLIP	1	BRASS	Ag-plated
E	SPRING	1	STEEL WIRE	
D	TERMINAL	3	BRASS	Ag-plated
C	BASE	1	PHENOLIC RESIN	Natural
B	FRAME	1	IRON STRIP	Ni-Plated
A	KNOB	1	POM	Black

KSD 科斯达电子科技有限公司
 SWITCH CONNECTOR KSD ELECTRONIC TECHNOLOGY Co., LTD
 全球 互 联 零 组 件 制 造 企 业

TOLERANCE UNLESS OTHERWISE STATED:
 Up to 5 ±0.2
 Above 5 ~ 15 ±0.3
 Above 15 ~ 30 ±0.4
 Above 30 ~ 50 ±0.5
 Angle ±0.3°

3RD. ANGEL'S

UNITS MM

DRAWN BY:	DATE	MAT'L	TITLE	SWITCH
Jack Lu	10/22/15			
CHECKED BY:	DATE	FINISH	MODLE	SLIDE SWITCH
Jacky Chen	10/22/15			
APPROVED BY:	DATE	SCALE	DWG NO.	SS-12F45-Gx-S191
Tony Kao	10/22/15	1 : 1		
		SHEET NO.	PART NO.	SS-12F45-Gx-S191
		1 of 1		

ITEM NO.	DESCRIPTION	DRAWN	DATE
1	新增SPEC	Jack	102215