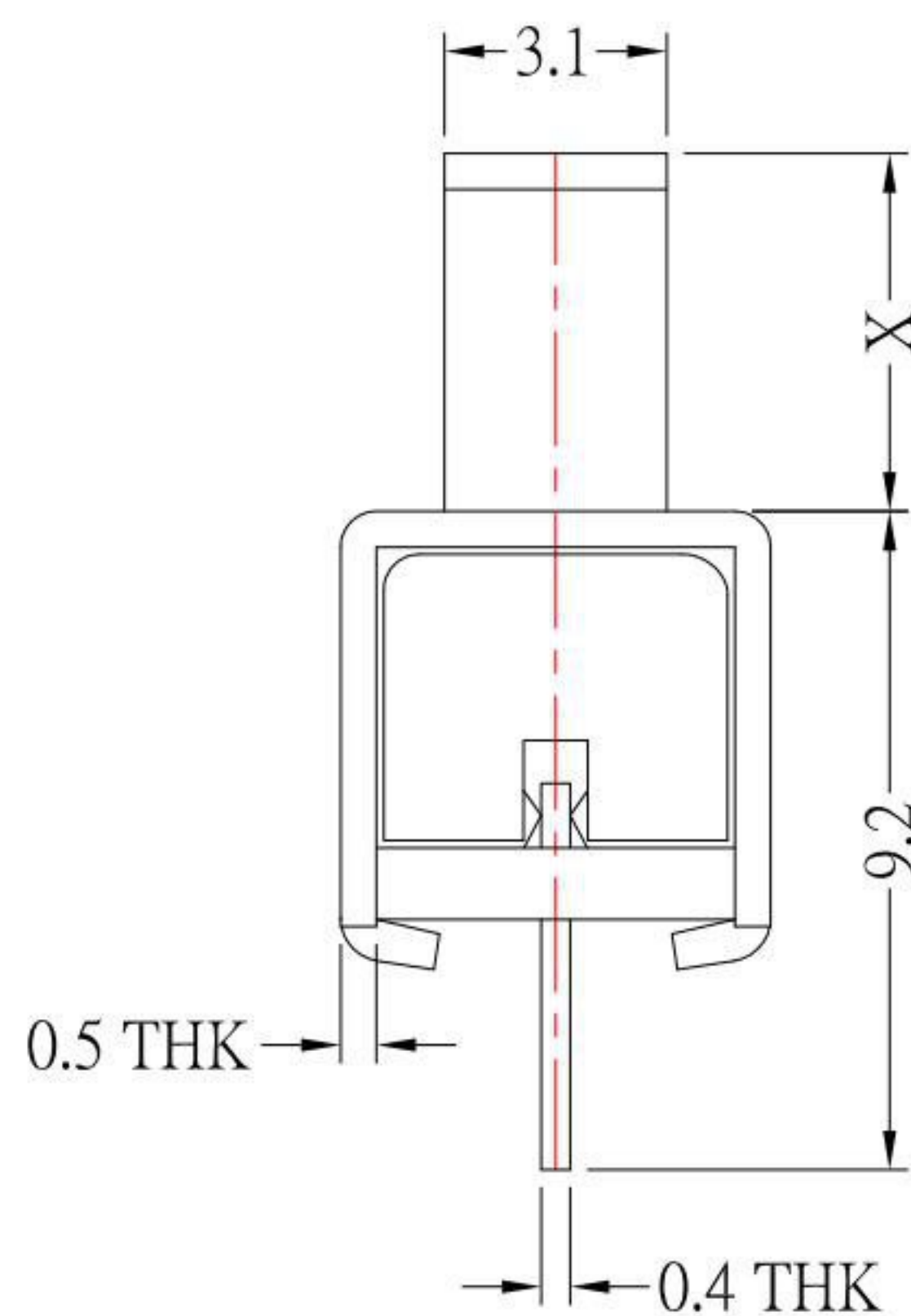
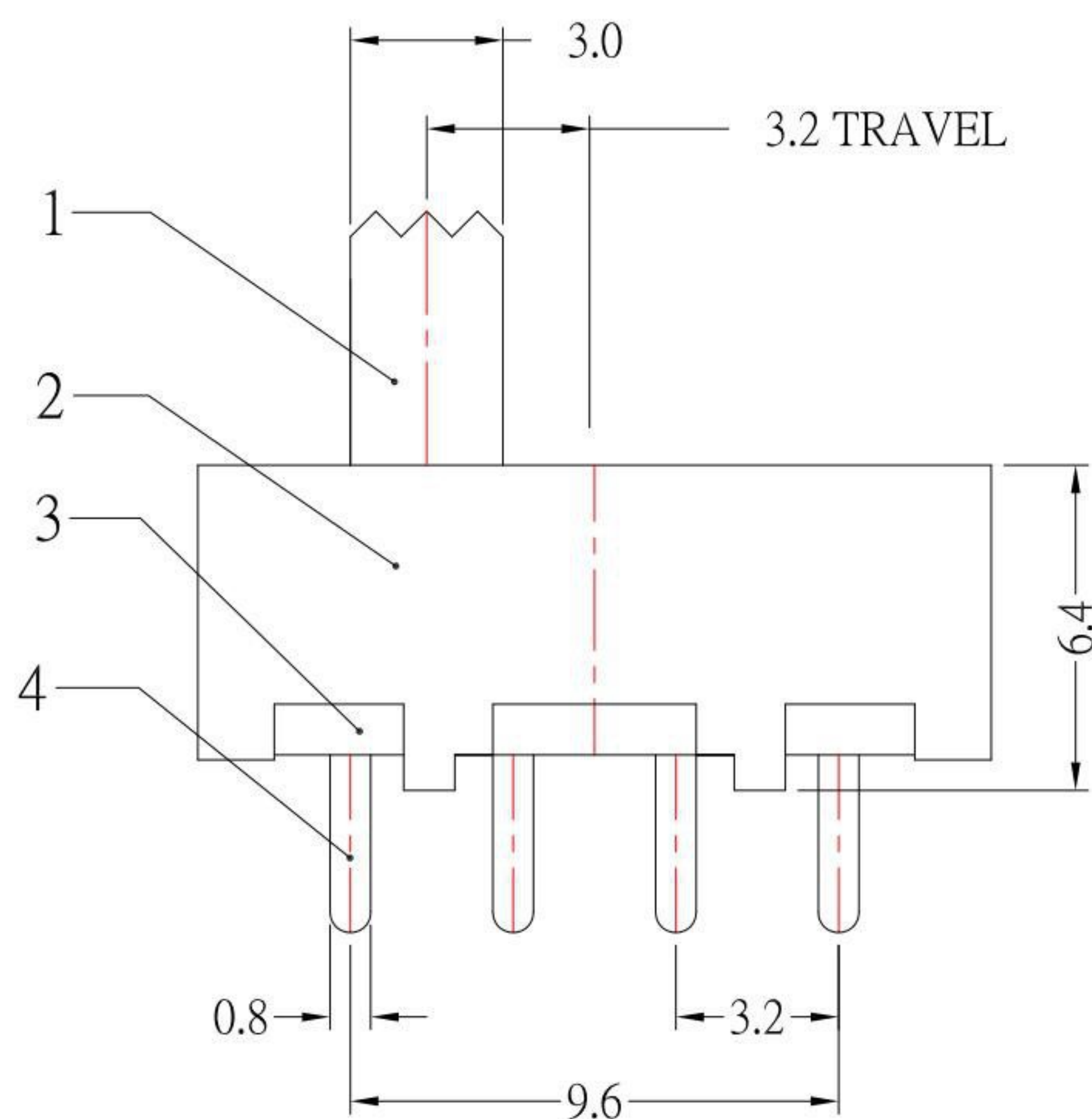


P.C.B LAYOUT
BOTTOM VIEW

SCHEMATIC (NON-SHORTING)



Model No.	X(mm)
SS-13F06-G2	2mm
SS-13F06-G3	3mm
SS-13F06-G4	4mm
SS-13F06-G5	5mm
SS-13F06-G6	6mm
SS-13F06-G7	7mm
SS-13F06-G8	8mm
SS-13F06-G9	9mm

SPECIFICATIONS

Rating	DC 50V 0.5A
Circuit	1P - 3T
Contact Resistance	200mΩ Max.
Insulation Resistance	100MΩ Min.
Operating Force	250gf ±100gf
Operating Life (cycles)	10,000

NO.	DESCRIPTION	QTY	MATERIAL	REMARK
7	STEEL BALL	1	STAINLESS	Natural
6	SPRING	1	STAINLESS	Natural
5	CONTACT CLIP	1	PHOSPHOR BRONZE	Ag-plated
4	TERMINAL	4	BRASS	Ag-plated
3	BASE	1	PHENOLIC RESIN	Natural
2	FRAME	1	SPCC	Ni-Plated
1	KNOB	1	POM	Black

ITEM NO.	DESCRIPTION	DRAWN	DATE
3	新增SPEC	Jack	112014
2	更新材質	Jack	040214
1	更新尺寸6.0改5.8	Jack	031714

KSD 科斯达电子科技有限公司
 SWITCH CONNECTOR 全球互联零组件制造企业
 KSD ELECTRONIC TECHNOLOGY Co., LTD

TOLERANCE UNLESS OTHERWISE STATED:
 Up to 5 ±0.2
 Above 5 ~ 15 ±0.3
 Above 15 ~ 30 ±0.4
 Above 30 ~ 50 ±0.5
 Angle ±0.3°

3RD. ANGEL'S

UNITS MM

DRAWN BY:	DATE	MAT'L	TITLE	SWITCH
Jack Lu	11/20/14		MODLE	SLIDE SWITCH
CHECKED BY:	DATE	FINISH	DWG NO.	SS-13F06-Gx-S191
Jacky Chen	11/20/14		PART NO.	SS-13F06-Gx-S191
APPROVED BY:	DATE	SCALE	1:1	
Tony Kao	11/20/14	SHEET NO.	1 of 1	

SIZE
A4
VER
R3