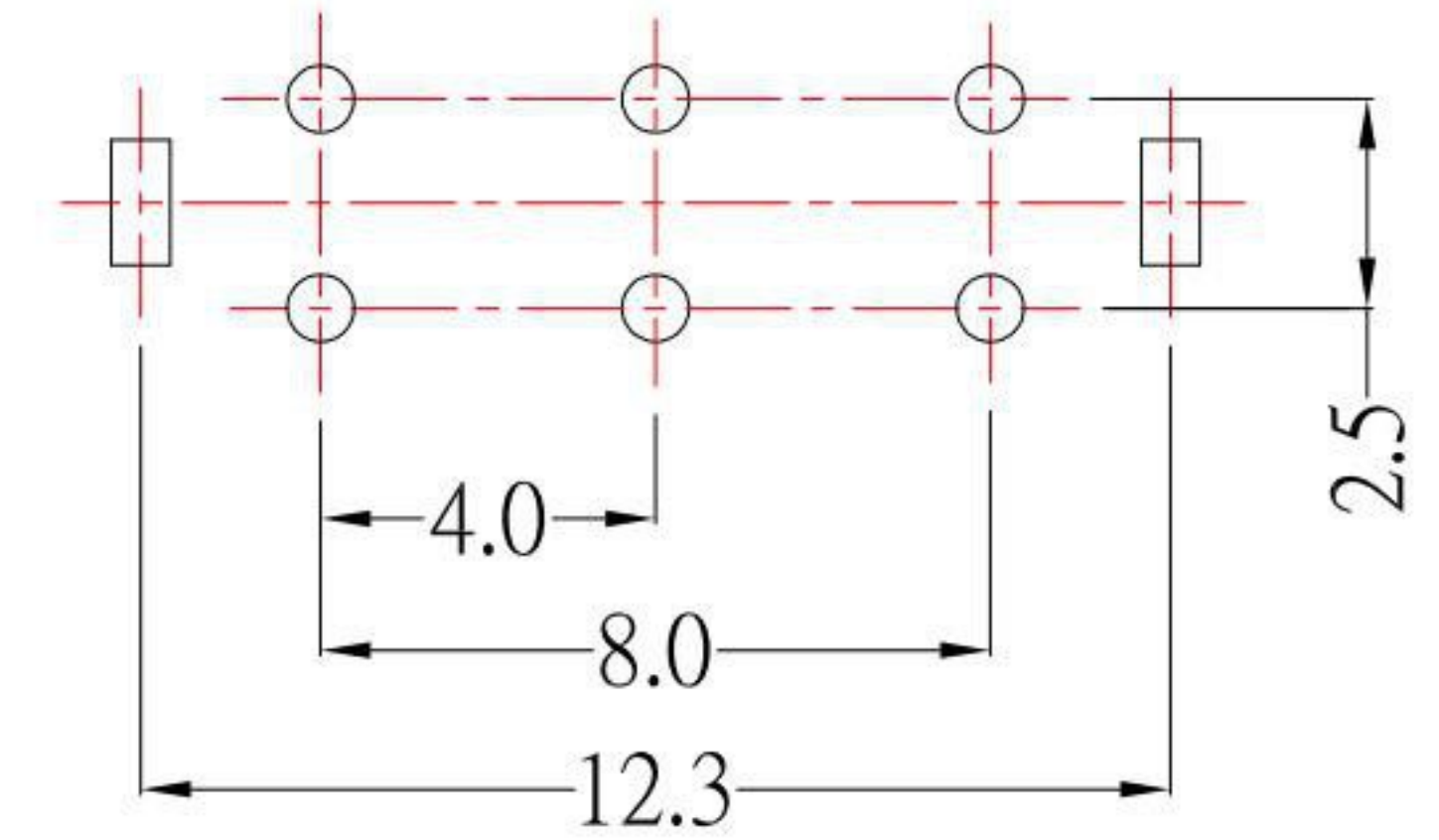
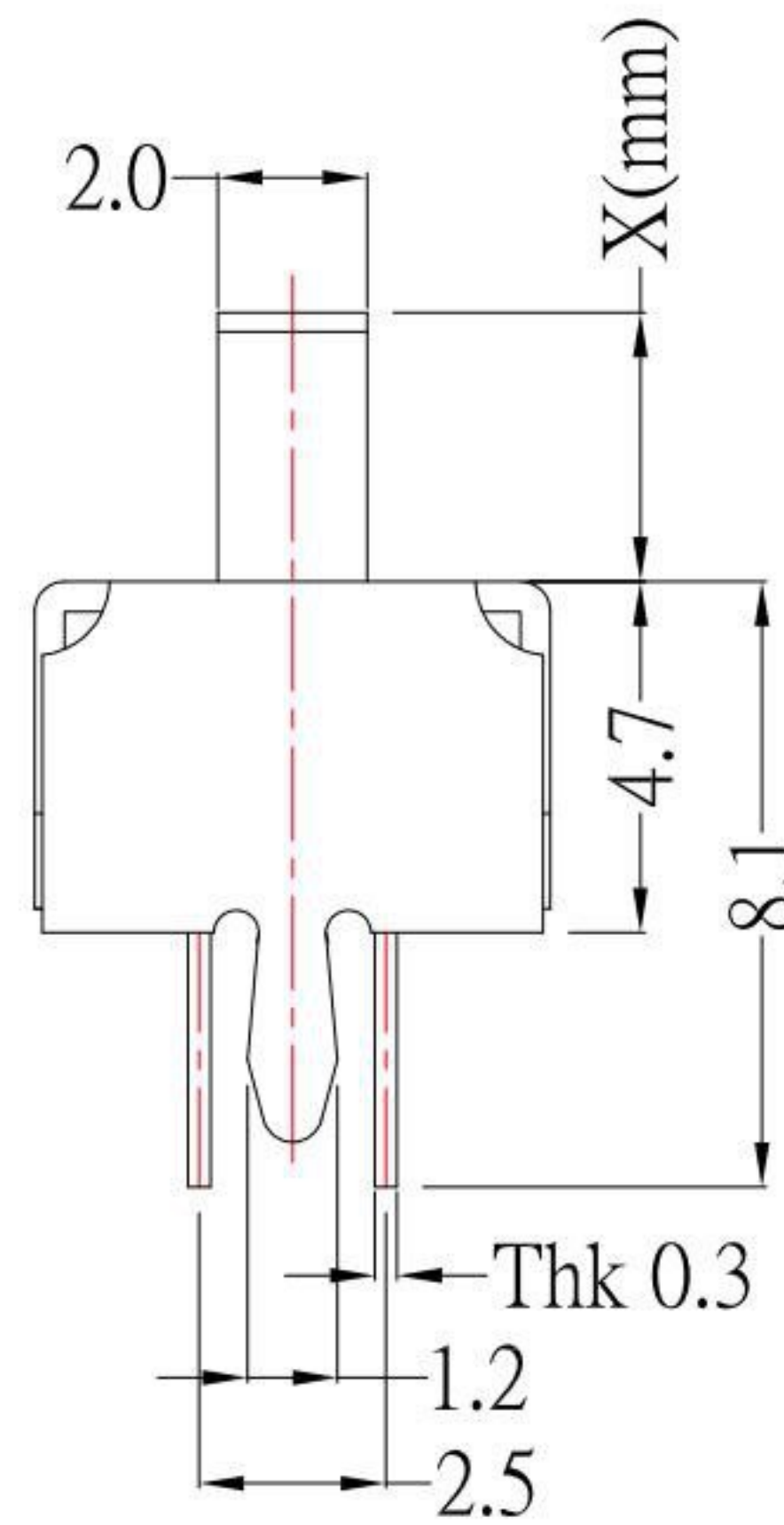
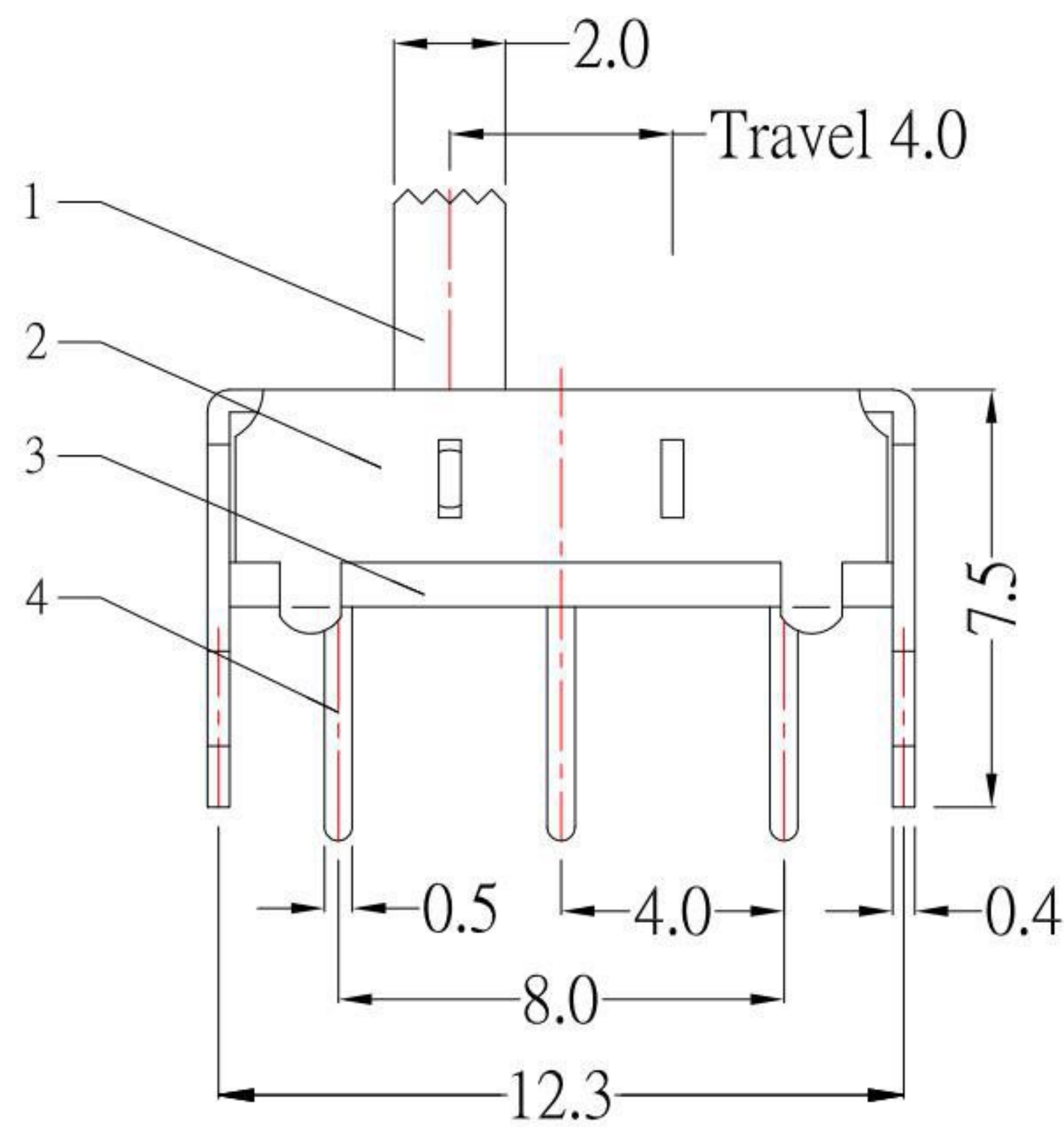


SCHEMATIC (NON-SHORTING)



P.C.B MOUNTING PATTERN (BOTTOM VIEW)



Model No.	X(mm)
SS-22H06-G2	2mm
SS-22H06-G3	3mm
SS-22H06-G4	4mm
SS-22H06-G5	5mm
SS-22H06-G6	6mm
SS-22H06-G7	7mm
SS-22H06-G8	8mm
SS-22H06-G9	9mm

SPECIFICATIONS

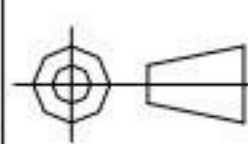
Rating	DC 50V 0.3A
Circuit	2P - 2T
Timing	Non - Shorting
Contact Resistance	200mΩ Max.
Insulation Resistance	100MΩ Min.
Operating Force	300 ± 100gf
Operating Life (cycles)	10,000

6	SPRING PLATE	STAINLESS STEEL	4	NATURAL
5	CONTACT CAP	PHOSPHOR BRONZE	2	AG-CLAD
4	TERMINAL	PHOSPHOR BRONZE	12	AG PLATED OVER NI PLATED
3	BASE	PHENOLIC RESIN	1	NATURAL
2	FRAME	STEEL	1	NI PLATED
1	KNOB	POM	1	BLACK
NO	PART NAME	MATERIAL	Q'TY	FINISHING

KSD 科斯达电子科技有限公司
 SWITCH CONNECTOR KSD ELECTRONIC TECHNOLOGY Co., LTD
 全球 互 联 零 组 件 制 造 企 业

TOLERANCE UNLESS OTHERWISE STATED:
 Up to 5 ±0.2
 Above 5 ~ 15 ±0.3
 Above 15 ~ 30 ±0.4
 Above 30 ~ 50 ±0.5
 Angle ±0.3°

3RD. ANGEL'S



UNITS MM

DRAWN BY:	DATE	MAT'L	TITLE	SWITCH
Jack Lu	10/22/15			
CHECKED BY:	DATE	FINISH	MODLE	SLIDE SWITCH
Jacky Chen	10/22/15			
APPROVED BY:	DATE	SCALE	DWG NO.	SS-22H06-Gx
Tony Kao	10/22/15	1 : 1		
		SHEET NO.	PART NO.	SS-22H06-Gx
		1 of 1		

SIZE A4
 VER R1

ITEM NO.	DESCRIPTION	DRAWN	DATE
1	新增SPEC	Jack	102215