

P.C.B LAND PATTERN

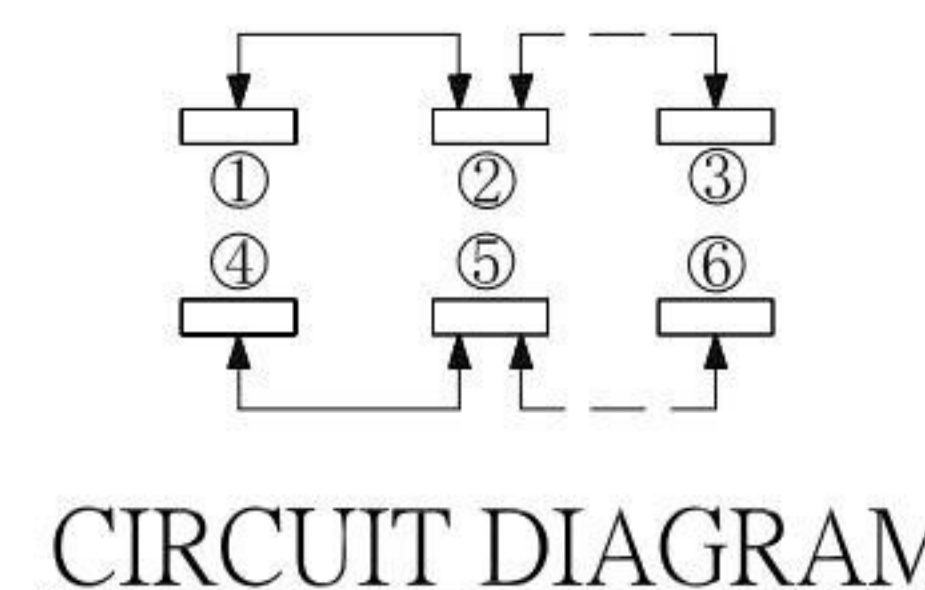
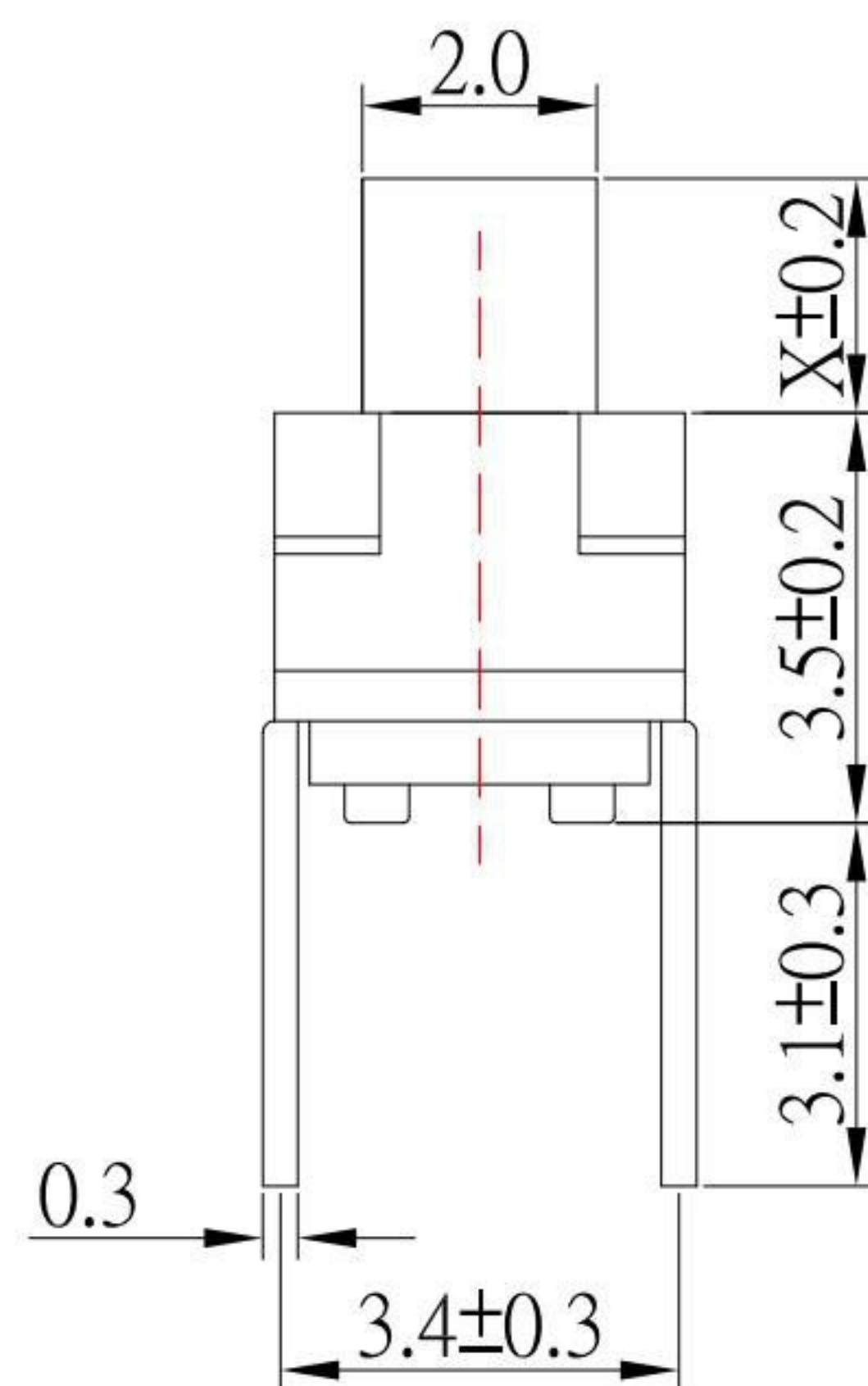
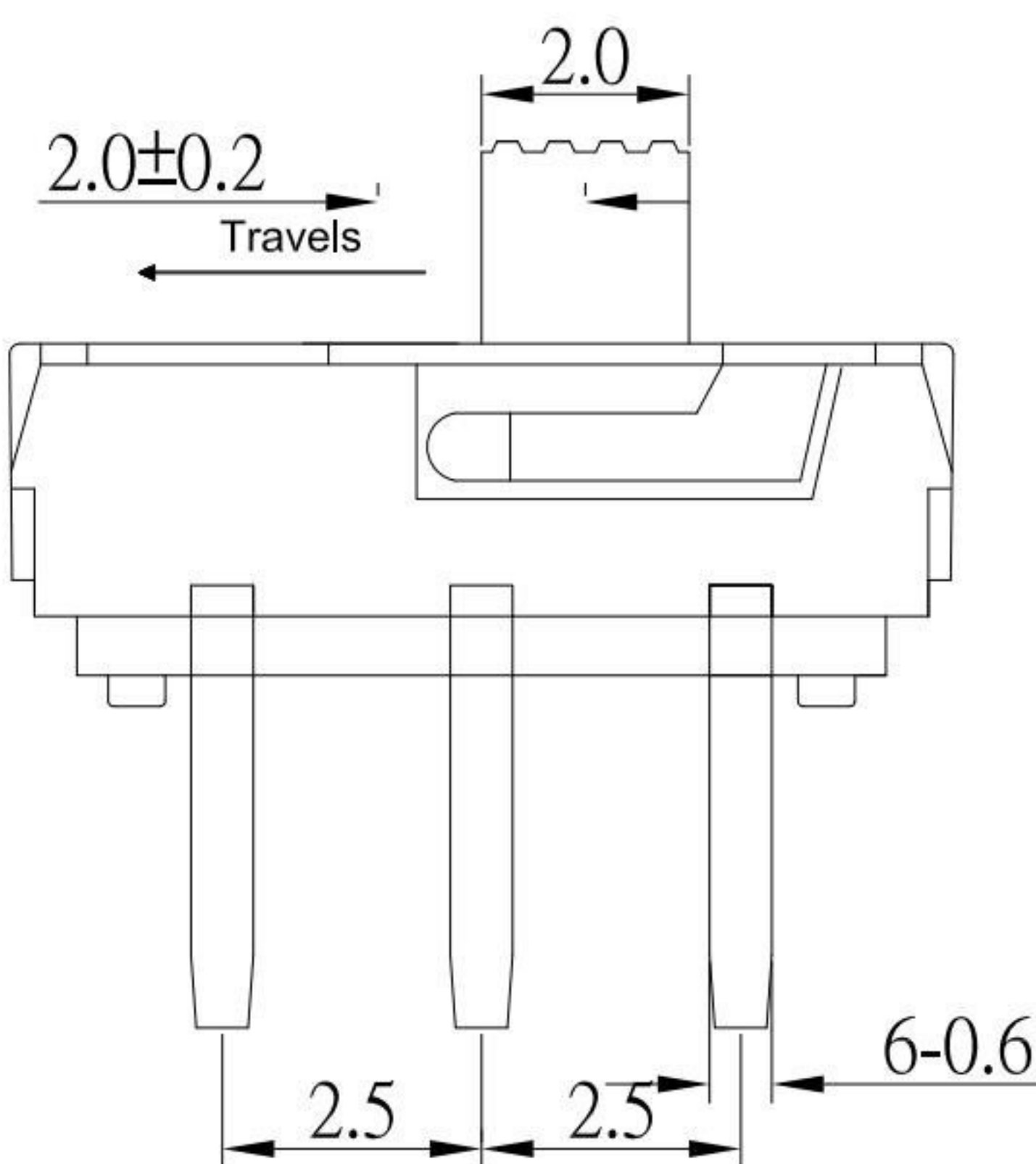
SS-B50x-x-S246

MODEL	X(mm)
SS-B50	2.0
SS-B50A	3.0
SS-B50C	4.0

SLIDER COLOR :

Black : B

White : W



CIRCUIT DIAGRAM

SPECIFICATIONS

Rating	0.3A 6V DC
Insulation Resistance	50MΩ Min.
Dielectric Withstanding Voltage	AC 250 V(50Hz)1min
Contact Resistance	100mΩ Max.
Operating Force	200 ± 50gf
Operating Life	10,000 cycles

NO.	DESCRIPTION	QTY	MATERIAL	PLATING
E	TERMINAL	6	PHOSPHOR BRONZE	Ag plated
D	CLIP	2	BECU	Ag plated
C	COVER	1	SUS	
B	CASE	1	PA6T	Black
A	SLIDER	1	PA46	Black

ITEM NO.	DESCRIPTION	DRAWN	DATE
4	更新圖面	Jack	121018
3	更新材質	Jack	061015
2	更新高度代碼	Jack	060515
1	新增高度選項	Jack	032514

KSD 科斯达电子科技有限公司
 SWITCH CONNECTOR KSD ELECTRONIC TECHNOLOGY Co., LTD
 全球 互聯零組件 制造企业

TOLERANCE UNLESS OTHERWISE STATED :

Up to 5	±0.2
Above 5 ~ 15	±0.3
Above 15 ~ 30	±0.4
Above 30 ~ 50	±0.5
Angle	±0.3°

3RD. ANGEL'S

UNITS MM

DRAWN BY:	DATE	MAT'L	TITLE	SWITCH
Jack Lu	12/10/18		MODLE	SLIDE SWICTH
CHECKED BY:	DATE	FINISH	DWG NO.	SS-B50x-x-S246
Jacky Chen	12/10/18		PART NO.	SS-B50x-x-S246
APPROVED BY:	DATE	SCALE	SHEET NO.	1 of 1
Tony Kao	12/10/18	1 : 1		

ITEM NO.	DESCRIPTION	DRAWN	DATE
4	更新圖面	Jack	121018
3	更新材質	Jack	061015
2	更新高度代碼	Jack	060515
1	新增高度選項	Jack	032514