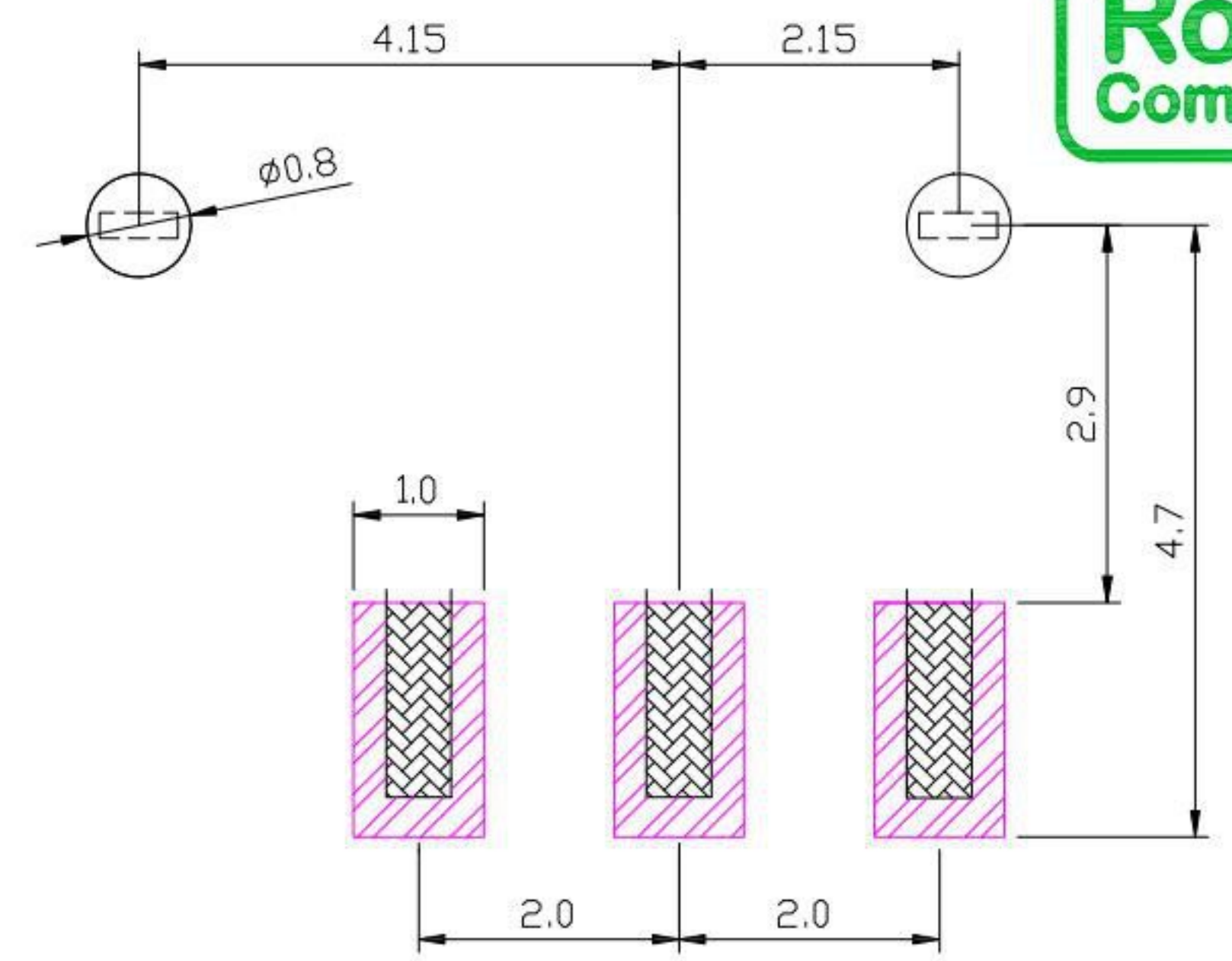


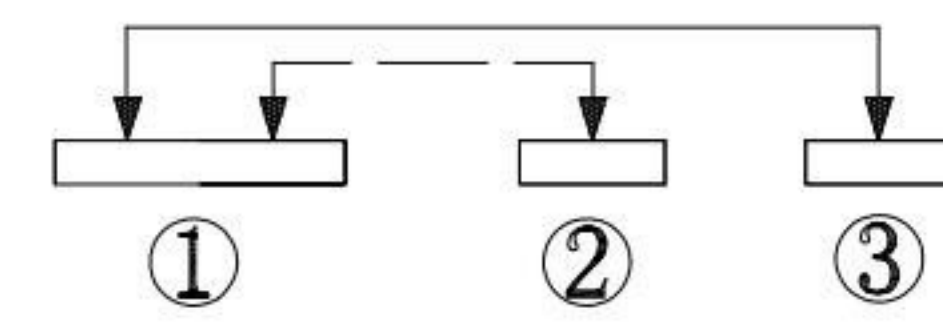
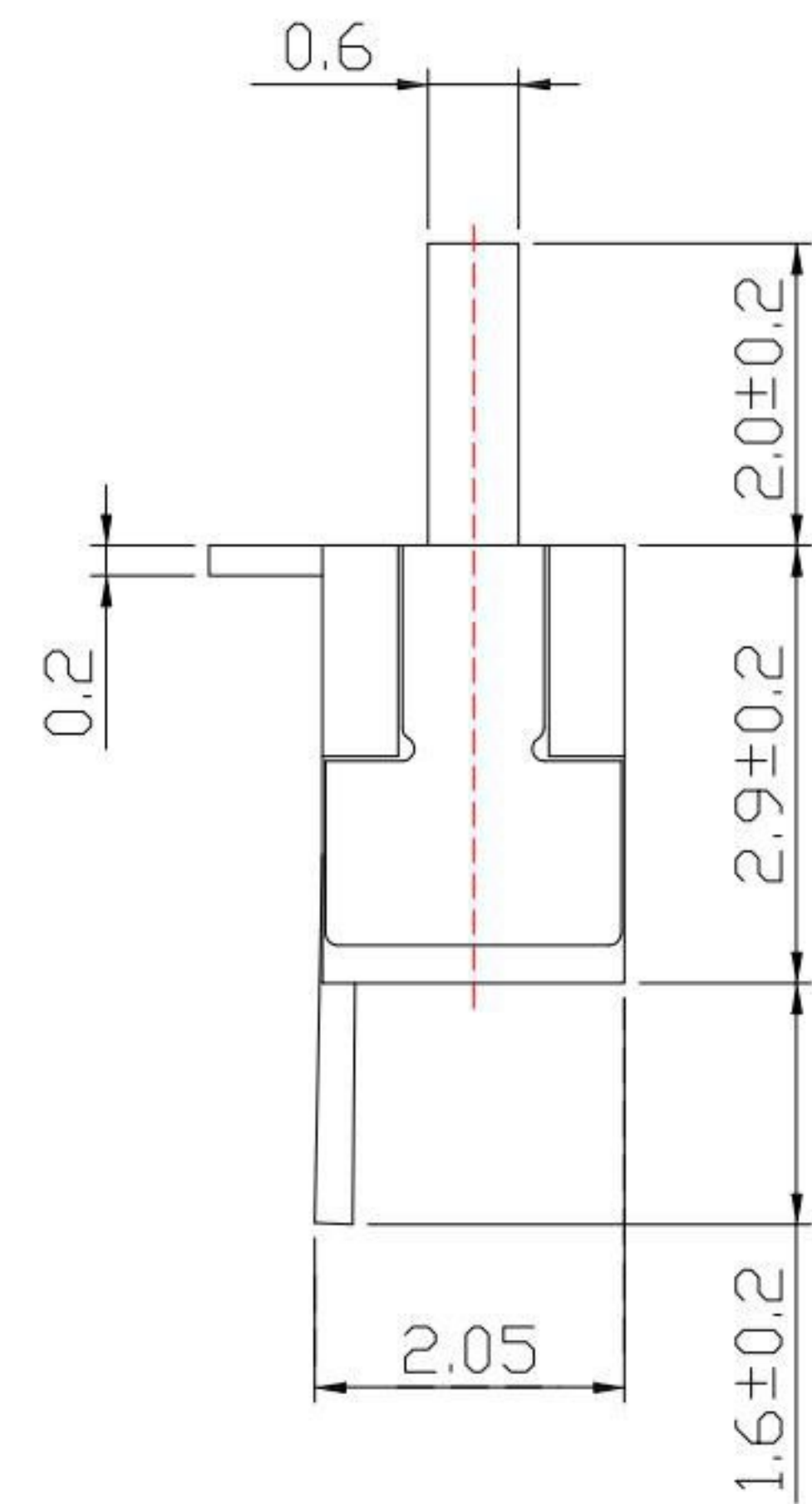
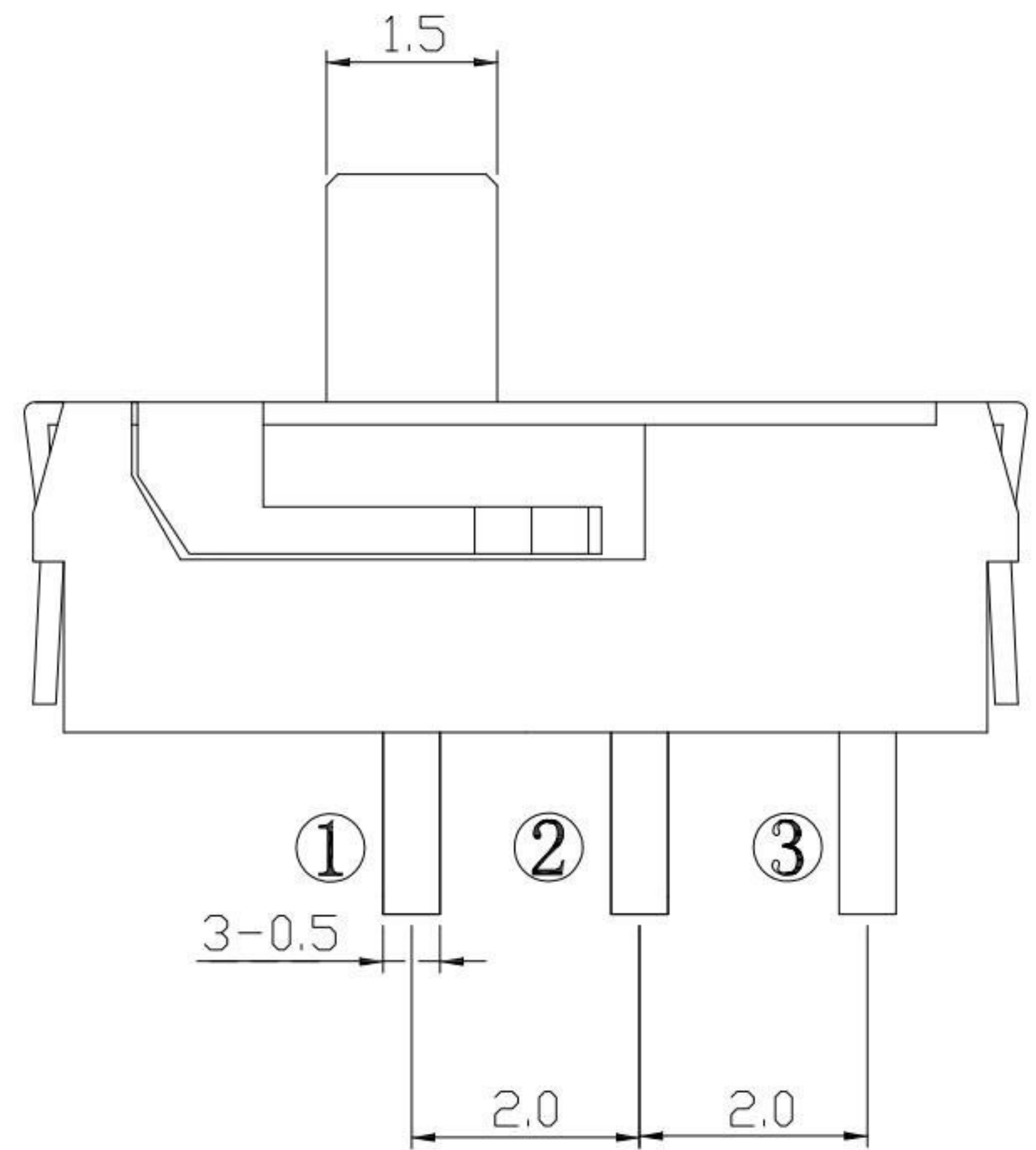
# SS-B70-x-S246

SLIDER COLOR :

- Black : B
- White : W



P.C.B LAND PATTERN



CIRCUIT DIAGRAM

## SPECIFICATIONS

Rating	0.3A 6V DC
Insulation Resistance	50MΩ Min.
Dielectric Withstanding Voltage	AC 250 V(50Hz)1min
Contact Resistance	100mΩ Max.
Operating Force	120 ± 50gf
Operating Life	10,000 cycles

NO.	DESCRIPTION	QTY	MATERIAL	PLATING
E	TERMINAL	3	PHOSPHOR BRONZE	Ag plated
D	CLIP	1	PHOSPHOR BRONZE	Ag plated
C	COVER	1	STAINLESS STEEL	
B	CASE	1	PA6T	Black
A	SLIDER	1	PPA	

9	更新CIRCUIT DIAGRAM	Jack	011020	12	更新Operating Force:120±50gf	Jack	051321
8	更新CIRCUIT DIAGRAM	Jack	010920	11	更新材質	Jack	031621
7	更新為A0版	Jack	080417	10	更新圖面	Jack	022521

**KSD** 科斯达电子科技有限公司  
 SWITCH CONNECTOR KSD ELECTRONIC TECHNOLOGY Co., LTD  
 全球 互聯零組件 制造企业

TOLERANCE UNLESS OTHERWISE STATED :  
 Up to 5 ±0.2  
 Above 5 ~ 15 ±0.3  
 Above 15 ~ 30 ±0.4  
 Above 30 ~ 50 ±0.5  
 Angle ±0.3°

3RD. ANGEL'S

UNITS MM

DRAWN BY:	DATE	MAT'L	TITLE	SWITCH
Jack Lu	05/13/21		MODLE	SLIDE SWICTH
CHECKED BY:	DATE	FINISH	DWG NO.	SS-B70-x-S246
Jacky Chen	05/13/21		PART NO.	SS-B70-x-S246
APPROVED BY:	DATE	SCALE	1 : 1	
Tony Kao	05/13/21	SHEET NO.	1 of 1	

ITEM NO.	DESCRIPTION	DRAWN	DATE
9	更新CIRCUIT DIAGRAM	Jack	011020
8	更新CIRCUIT DIAGRAM	Jack	010920
7	更新為A0版	Jack	080417
6	新增PIN編號	Jack	030816
5	更新顏色選項	Jack	101415
4	更新圖面	Jack	102114
3	更新材質及SPEC	Jack	110613
2	更新材質	Jack	103113
1	更新圖面視圖位置	Jack	102313