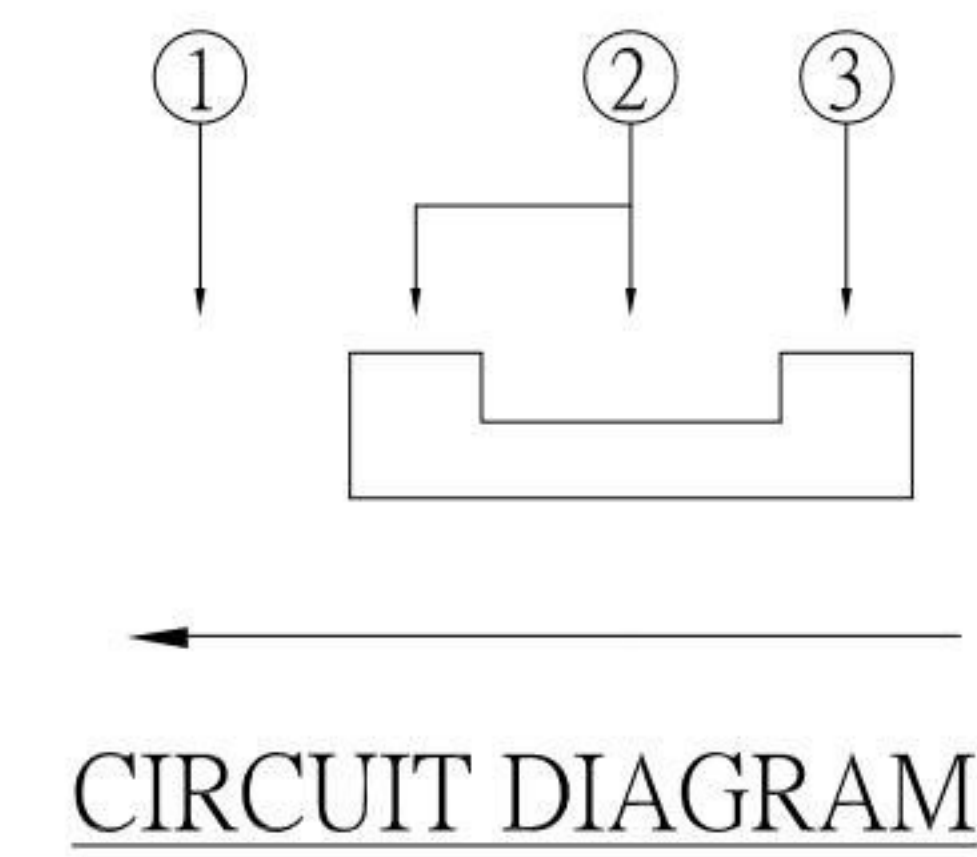
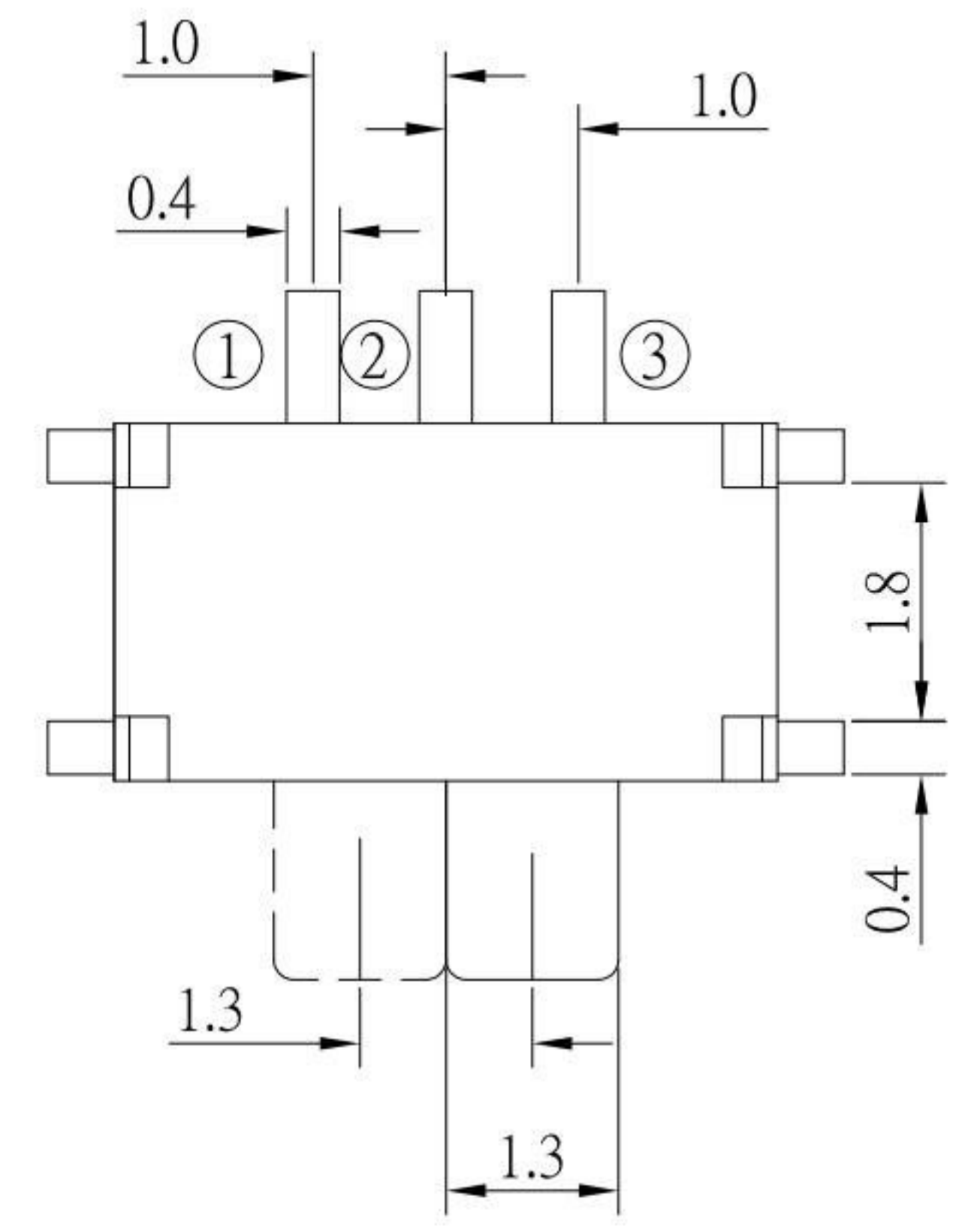


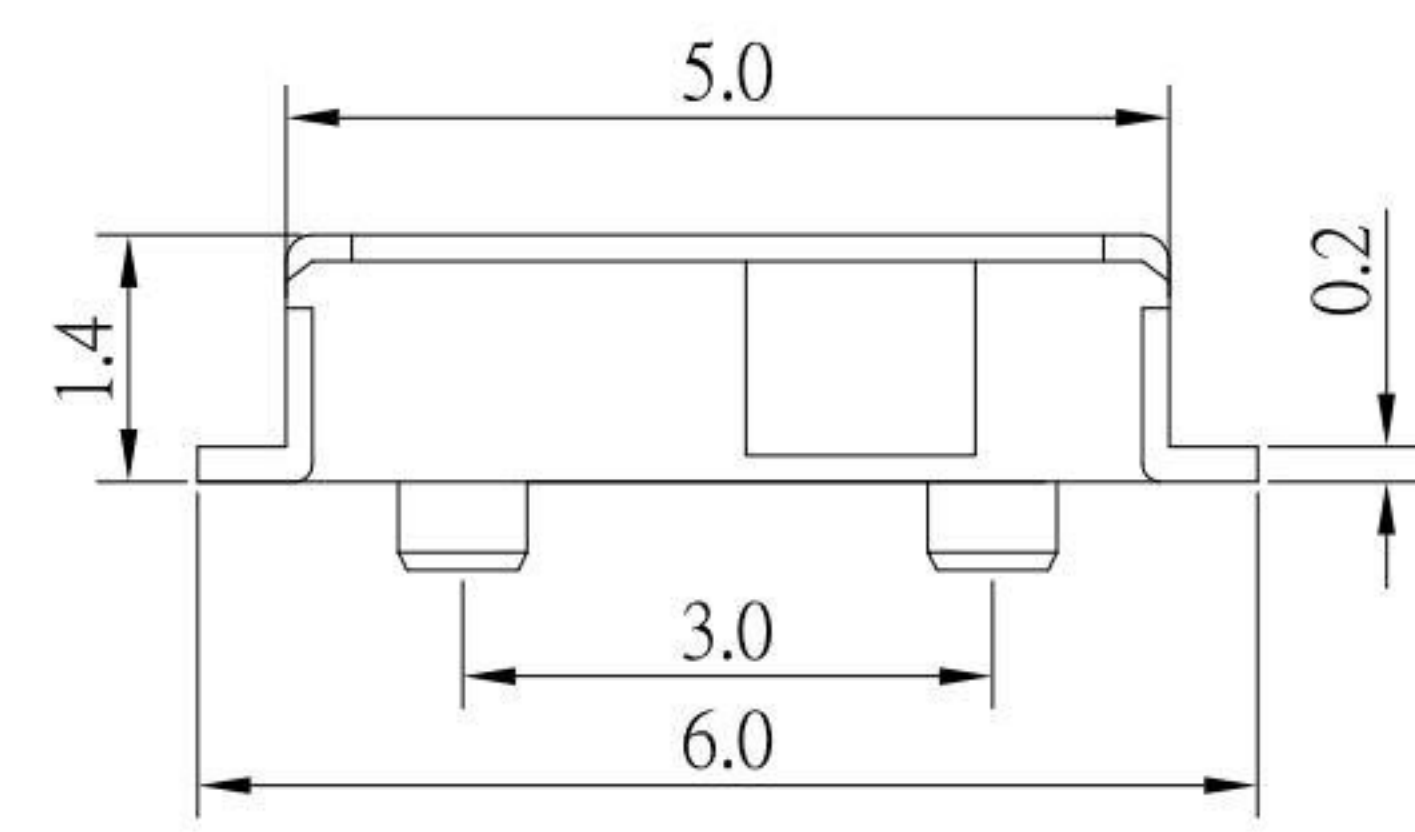
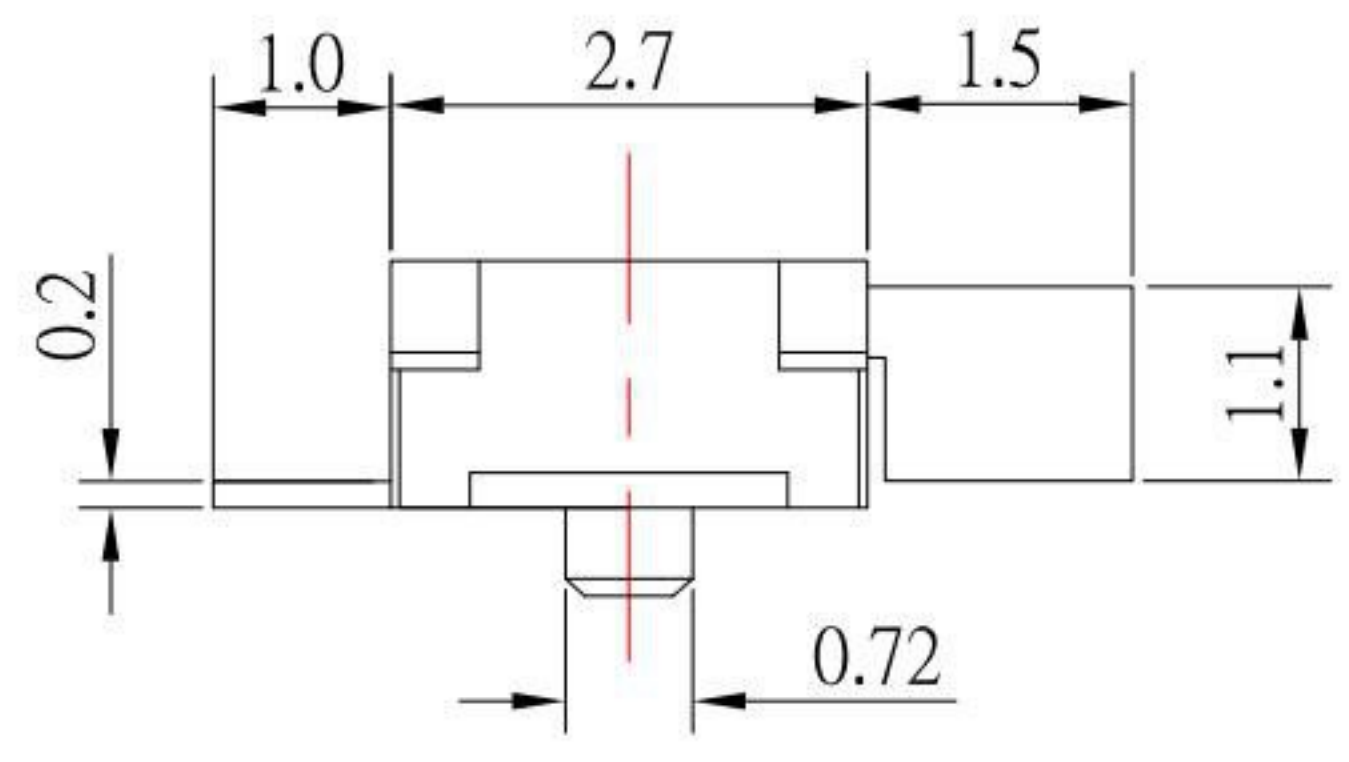
P.C.B LAND PATTERN



CIRCUIT DIAGRAM

SPECIFICATIONS

| | |
|---------------------------------|--------------------|
| Rating | 0.3A 4V DC |
| Insulation Resistance | 50MΩ Min. |
| Dielectric Withstanding Voltage | AC 250 V(50Hz)1min |
| Contact Resistance | 100mΩ Max. |
| Operating Force | 140 ± 50gf |
| Operating Life | 10,000 cycles |



| NO. | DESCRIPTION | QTY | MATERIAL | PLATING |
|-----|-------------|-----|-----------------|-----------|
| E | TERMINAL | 1 | PHOSPHOR BRONZE | Ag plated |
| D | CLIP | 1 | SUS | |
| C | COVER | 1 | BRASS | Ag plated |
| B | CASE | 1 | PA6T | Black |
| A | SLIDER | 1 | PPA | White |

KSD 科斯达电子科技有限公司
 SWITCH CONNECTOR KSD ELECTRONIC TECHNOLOGY Co., LTD
 全球 互聯零組件製造企業

TOLERANCE UNLESS OTHERWISE STATED:
 Up to 5 ±0.2
 Above 5 ~ 15 ±0.3
 Above 15 ~ 30 ±0.4
 Above 30 ~ 50 ±0.5
 Angle ±0.3°

3RD. ANGEL'S

UNITS MM

| | | | | |
|--------------|----------|-----------|----------|------------------|
| DRAWN BY: | DATE | MAT'L | TITLE | SWITCH |
| Jack Lu | 10/21/21 | | MODLE | SMT SLIDE SWICTH |
| CHECKED BY: | DATE | FINISH | DWG NO. | SS-B92AP-W-S246 |
| Jacky Chen | 10/21/21 | | PART NO. | SS-B92AP-W-S246 |
| APPROVED BY: | DATE | SCALE | | |
| Tony Kao | 10/21/21 | 1:1 | | |
| | | SHEET NO. | 1 of 1 | |

| ITEM NO. | DESCRIPTION | DRAWN | DATE |
|----------|------------------|-------|--------|
| 3 | 新增COVER鍍層 | Jack | 102121 |
| 2 | 更新SPEC和材質及更新為A0版 | Jack | 030216 |
| 1 | 更新Rating | Jack | 022516 |

SIZE A4
 VER A1