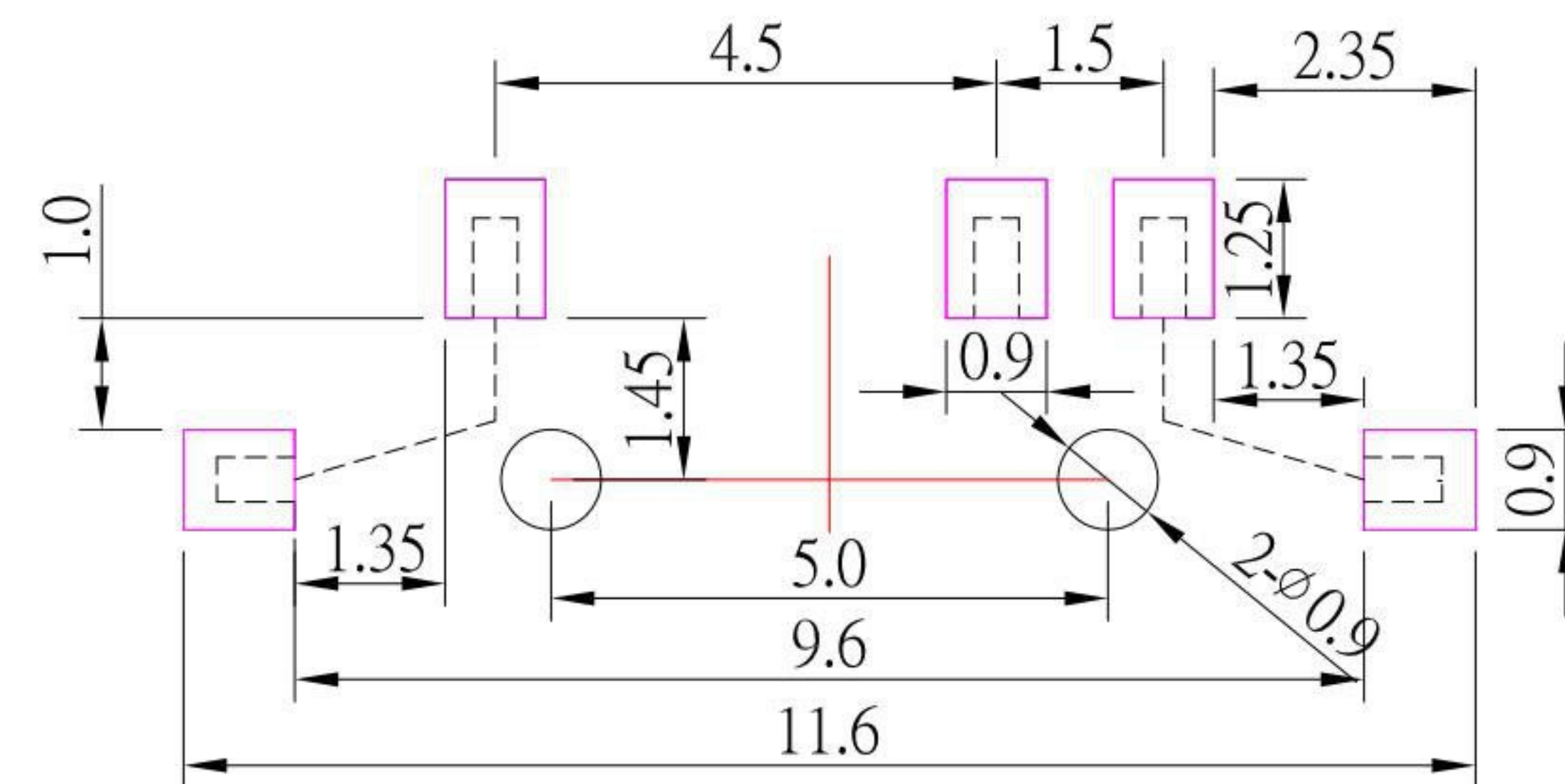
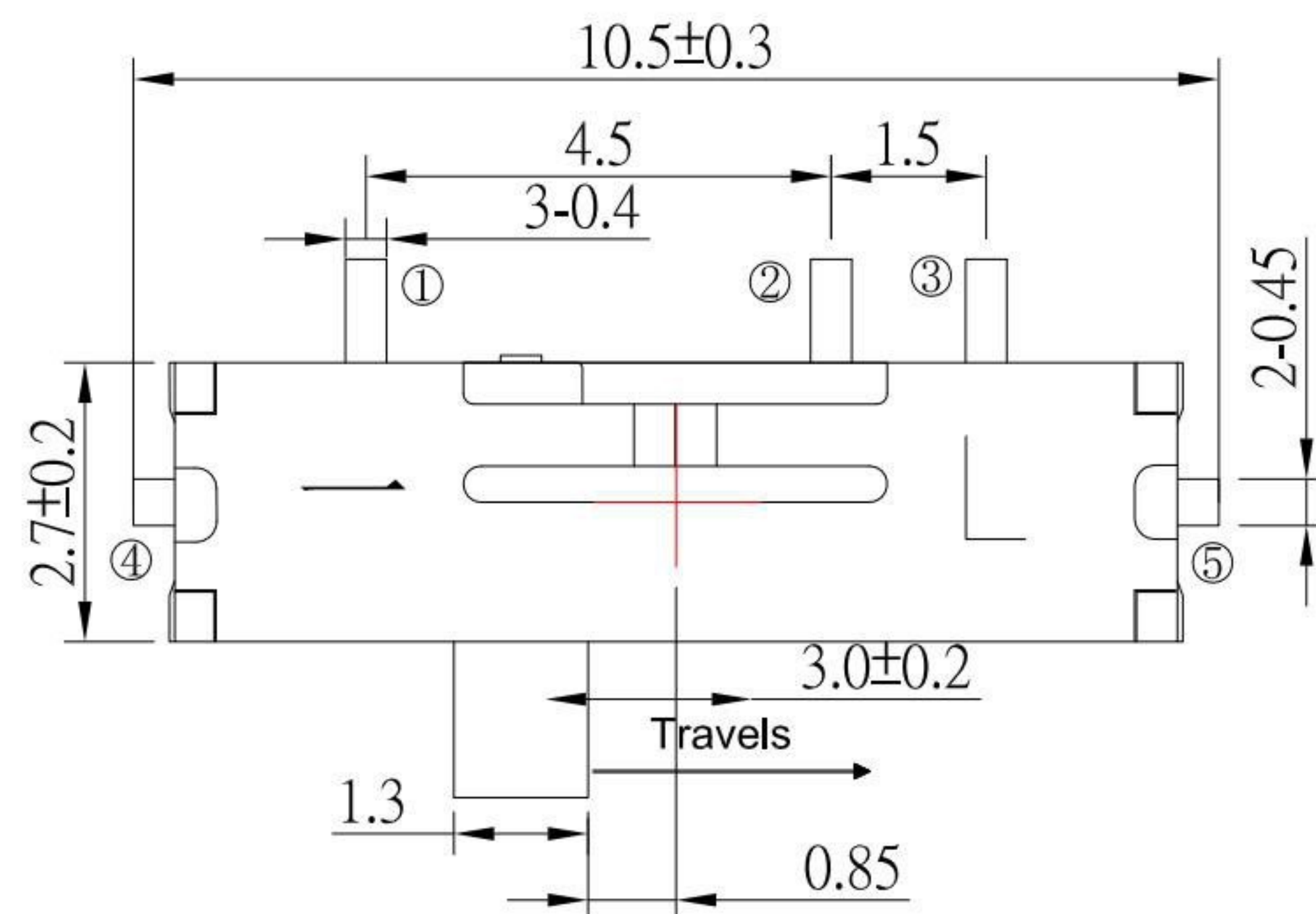




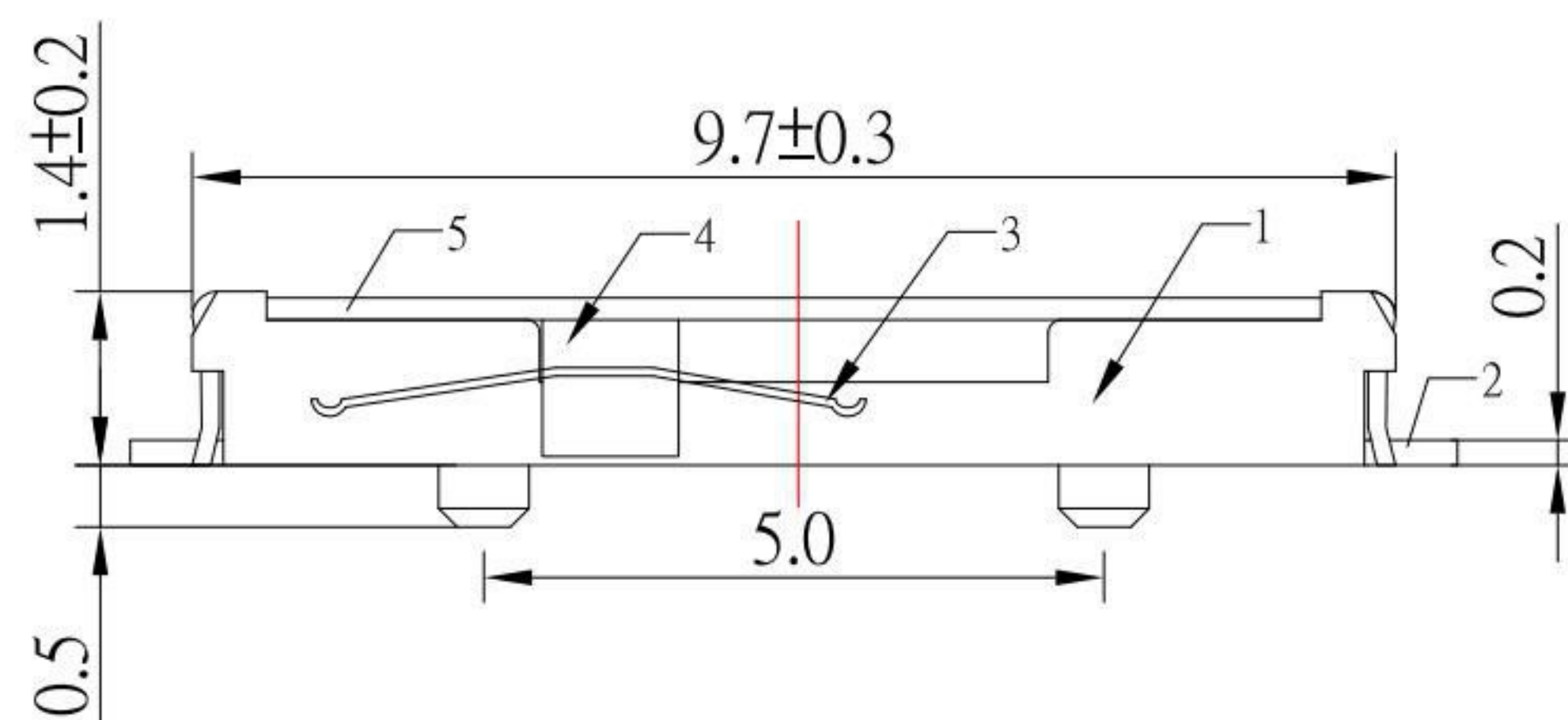
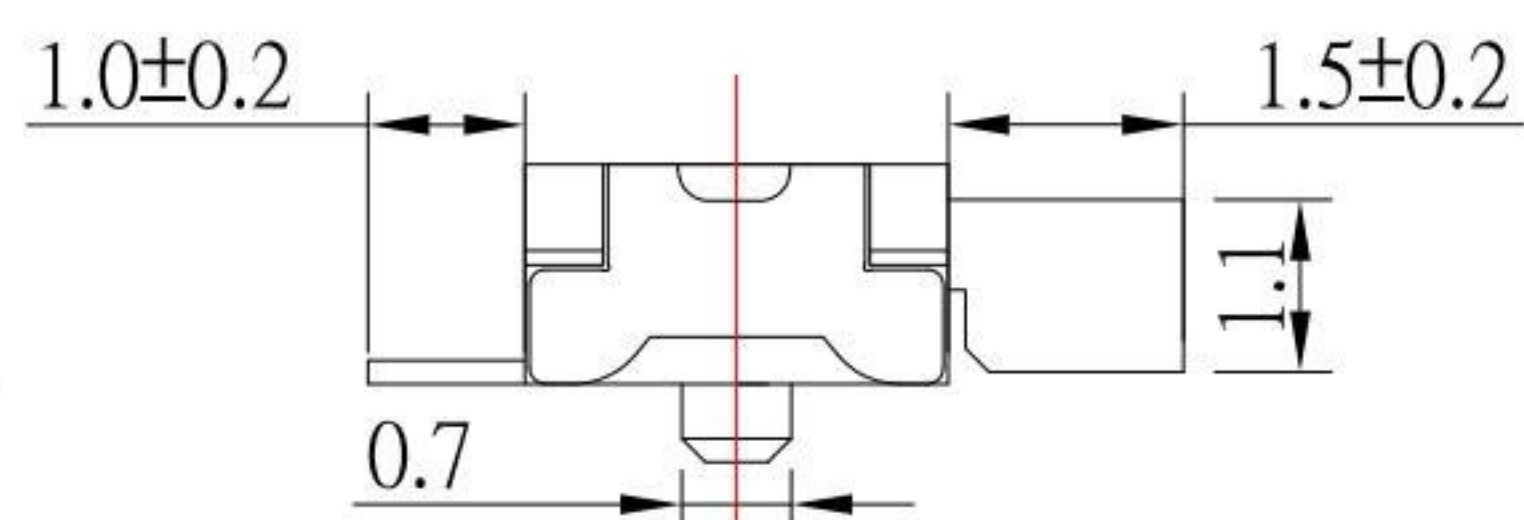
SS-C11AP1-x-S246

SLIDER COLOR :

Black : B
White : W

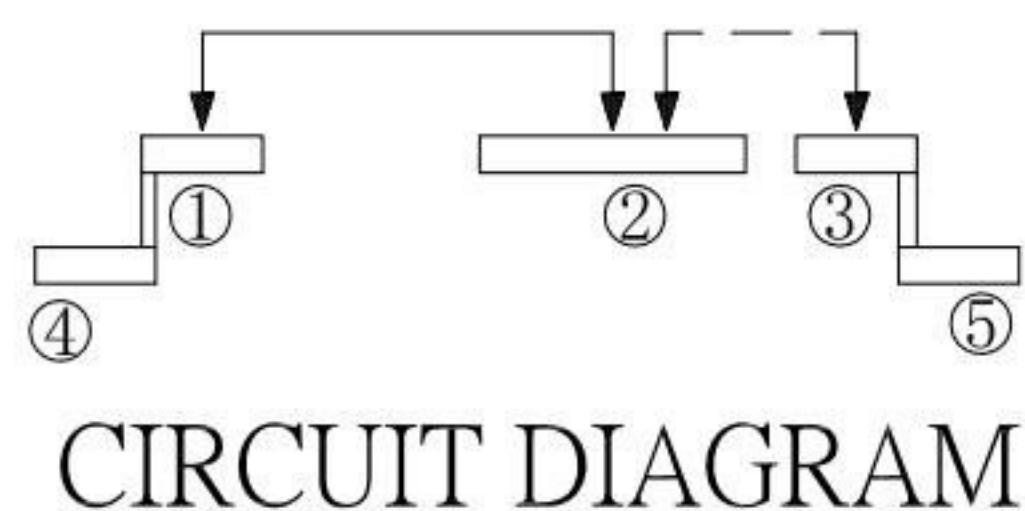


P.C.B LAND PATTERN



SPECIFICATIONS

Rating	DC 12V , 100mA
Contact Resistance	100mΩ Max
Insulation Resistance	100MΩ Min
Operating Force	150 ±50gf
Life	10,000 cycles



NO.	DESCRIPTION	QTY	MATERIAL	PLATING
E	TERMINAL	3	PHOSPHOR BRONZE	Ag plated
D	CLIP	1	PHOSPHOR BRONZE	Ag plated
C	COVER	1	SUS	
B	CASE	1	LCP(Black)	
A	SLIDER	1	PA46	

9	更新樣式	Jack	012121
8	新增尺寸	Jack	080620
7	更新樣式	Jack	060320
6	更新圖面	Jack	040120
5	更新樣式	Jack	083019
4	更新材質	Jack	061119
3	更新CIRCUIT DIAGRAM	Jack	082418
2	新增pcb layout尺寸	Jack	081418
1	更新Operating Force	Jack	110217
ITEM NO.	DESCRIPTION	DRAWN	DATE

KSD 科斯达电子科技有限公司
 SWITCH CONNECTOR KSD ELECTRONIC TECHNOLOGY Co., LTD
 全球 互聯零組件製造企業

TOLERANCE UNLESS OTHERWISE STATED :
 Up to 5 ±0.2
 Above 5 ~ 15 ±0.3
 Above 15 ~ 30 ±0.4
 Above 30 ~ 50 ±0.5
 Angle ±0.3°

3RD. ANGEL'S
 UNITS MM

DRAWN BY:	DATE	MAT'L	TITLE	SWITCH
Jack Lu	03/15/22		MODLE	SLIDE SWITCH 2 段式, 行程 3.0mm /磷銅
CHECKED BY:	DATE	FINISH	DWG NO.	SS-C11AP1-x-S246
Jacky Chen	03/15/22		PART NO.	SS-C11AP1-x-S246
APPROVED BY:	DATE	SCALE	SHEET NO.	1 of 1
Tony Kao	03/15/22	1 : 1		