

SUA-110E21x-x-S316

SHELL :	COLOR :
Blank : Brass	Black: B
I : SPCC	White : W

SPECIFICATIONS

Electrical:

- Contact Resistance: 30 mΩ Max
- Dielectric Withstanding Voltage: 500 V AC
- Insulation Resistance: 1,000 MΩ Min

Mechanical:

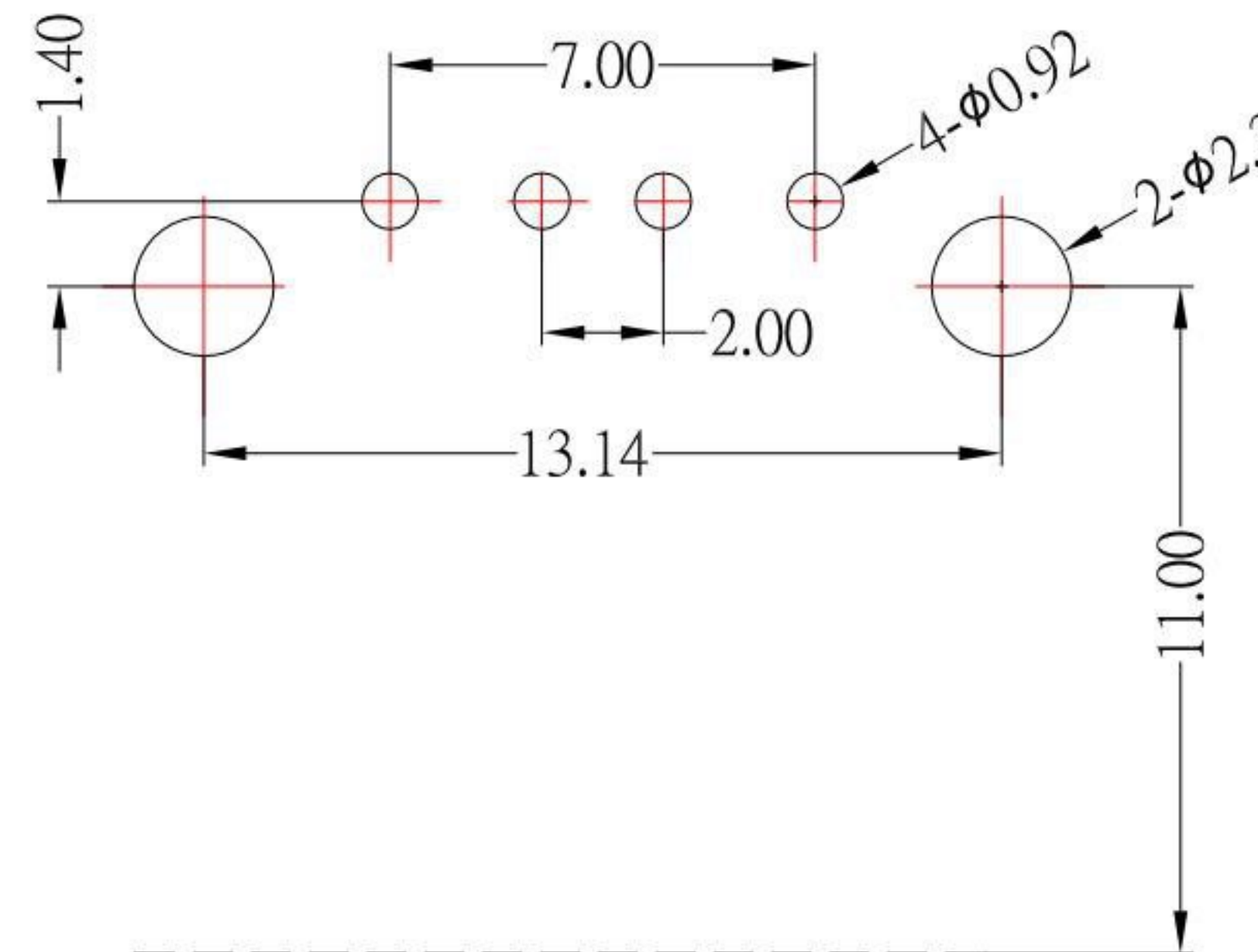
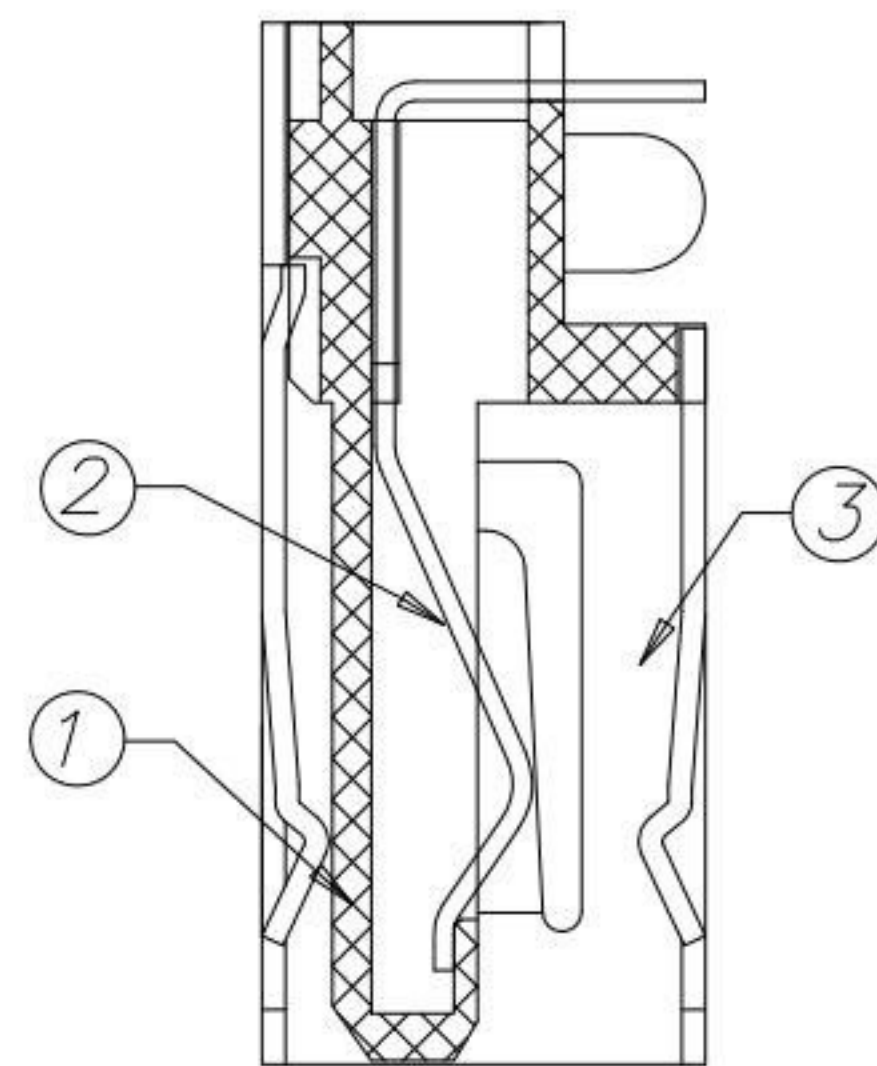
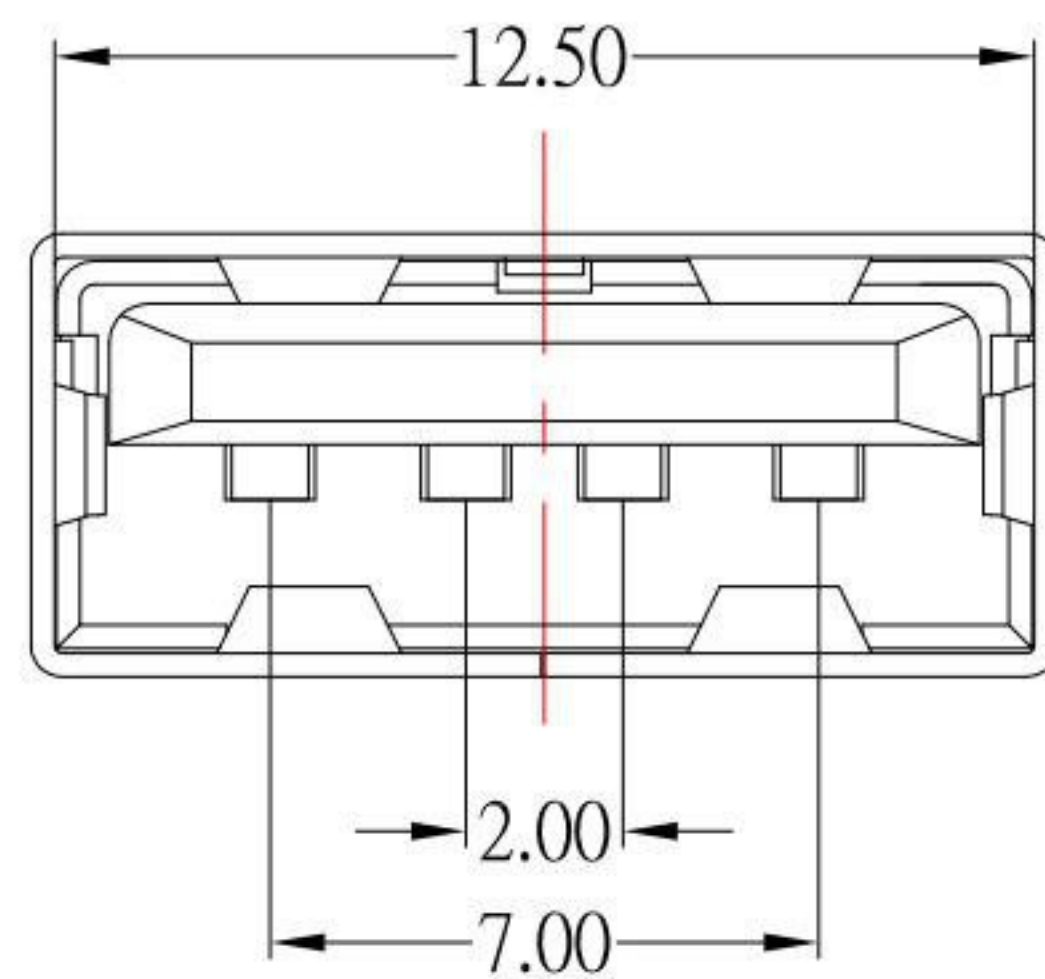
- Connector Mate and Unmate Force
 - Mate force: 3.57Kgf(Max)
 - Unmate force: 1.02Kgf (Min)

Material:

- Housing: PBT
- Contact: Phosphor Bronze
- Shell: Brass

Finish:

- Contact: Plated Gold in Mating Area ;
Tin Plated on Solder Balls
Nickel under plated overall
- Shell: Nickel under Plated surface layer



P.C.B LAYOUT MOUNTING PATTERN

KSD 科斯达电子科技有限公司
 SWITCH CONNECTOR KSD ELECTRONIC TECHNOLOGY Co., LTD
 全球 互联网 零组件 制造企业

TOLERANCE UNLESS OTHERWISE STATED :	Up to 5 ±0.2	3RD. ANGEL'S	UNITS	MM
	Above 5 ~ 15 ±0.3			
	Above 15 ~ 30 ±0.4			
	Above 30 ~ 50 ±0.5			
	Angle ±0.3°			

DRAWN BY:	DATE	MAT'L	TITLE	CONNECTOR
Jack Lu	08/28/20		MODLE	USB AF 沉板 板上高 H3.8MM DIP 脚
CHECKED BY:	DATE	FINISH	DWG NO.	SUA-110E21x-x-S316
Jacky Chen	08/28/20		PART NO.	SUA-110E21x-x-S316
APPROVED BY:	DATE	SCALE	1 : 1	
Tony Kao	08/28/20	SHEET NO.	1 of 1	

1	更新圖面	Jack	082820
ITEM NO.	DESCRIPTION	DRAWN	DATE