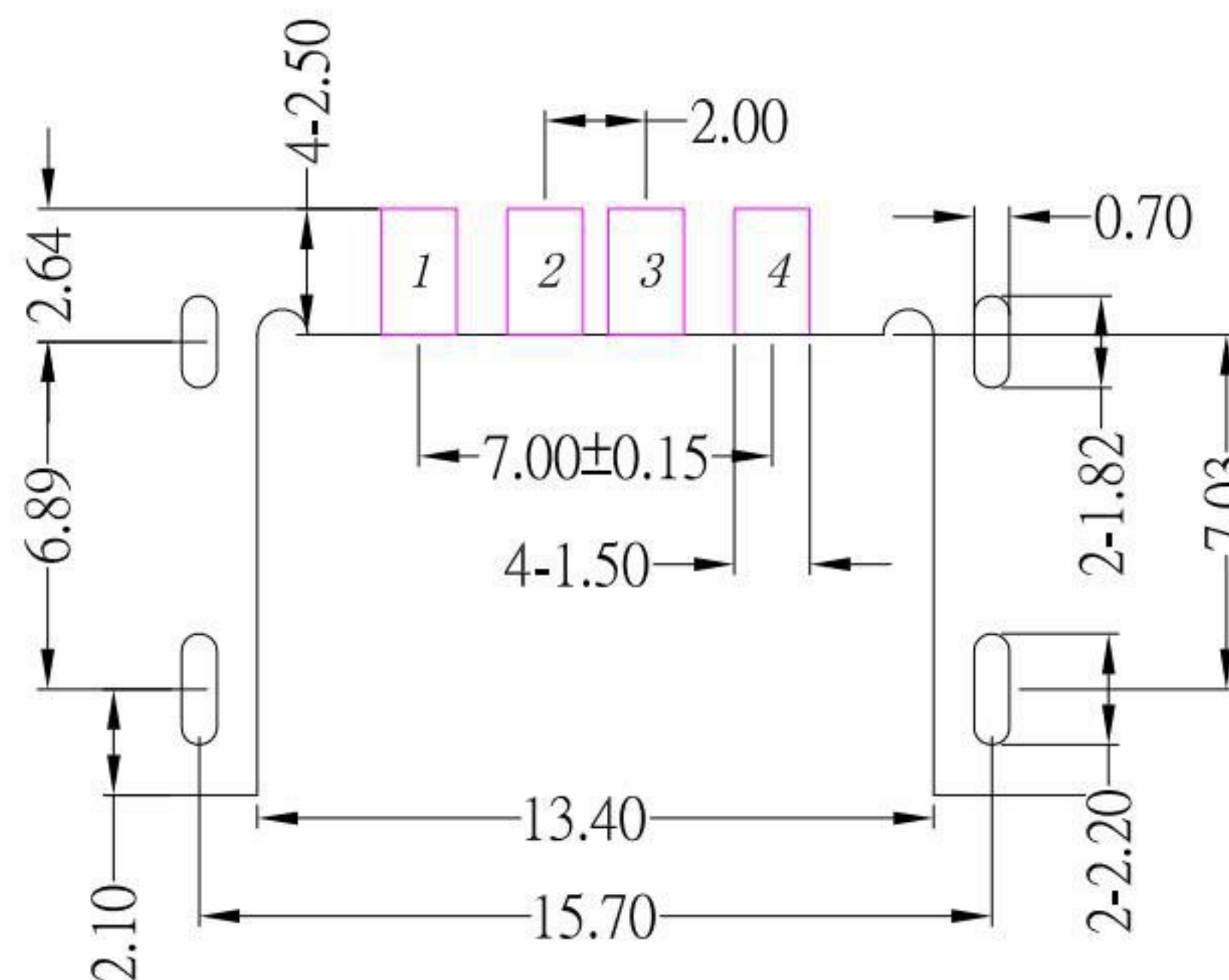
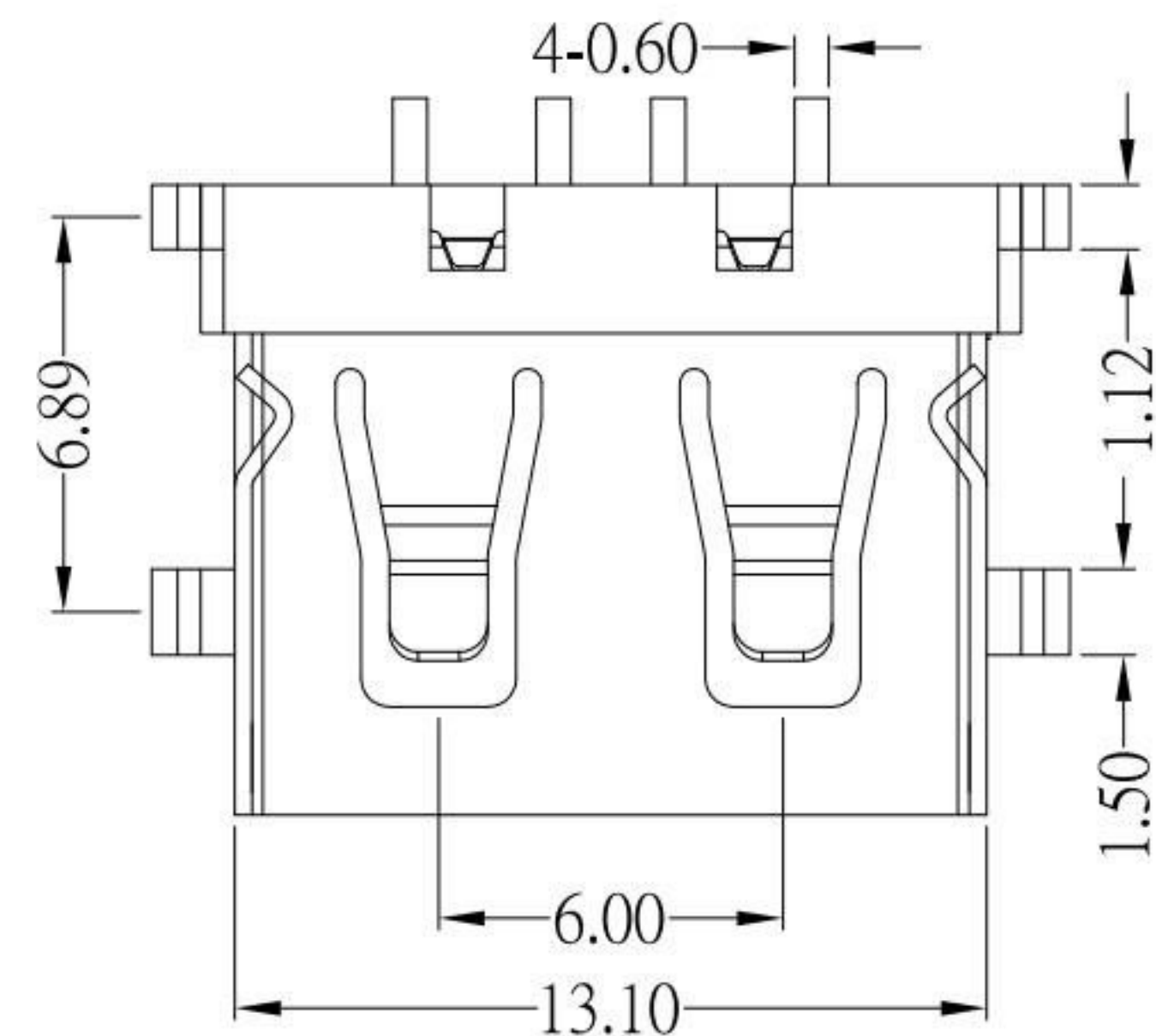


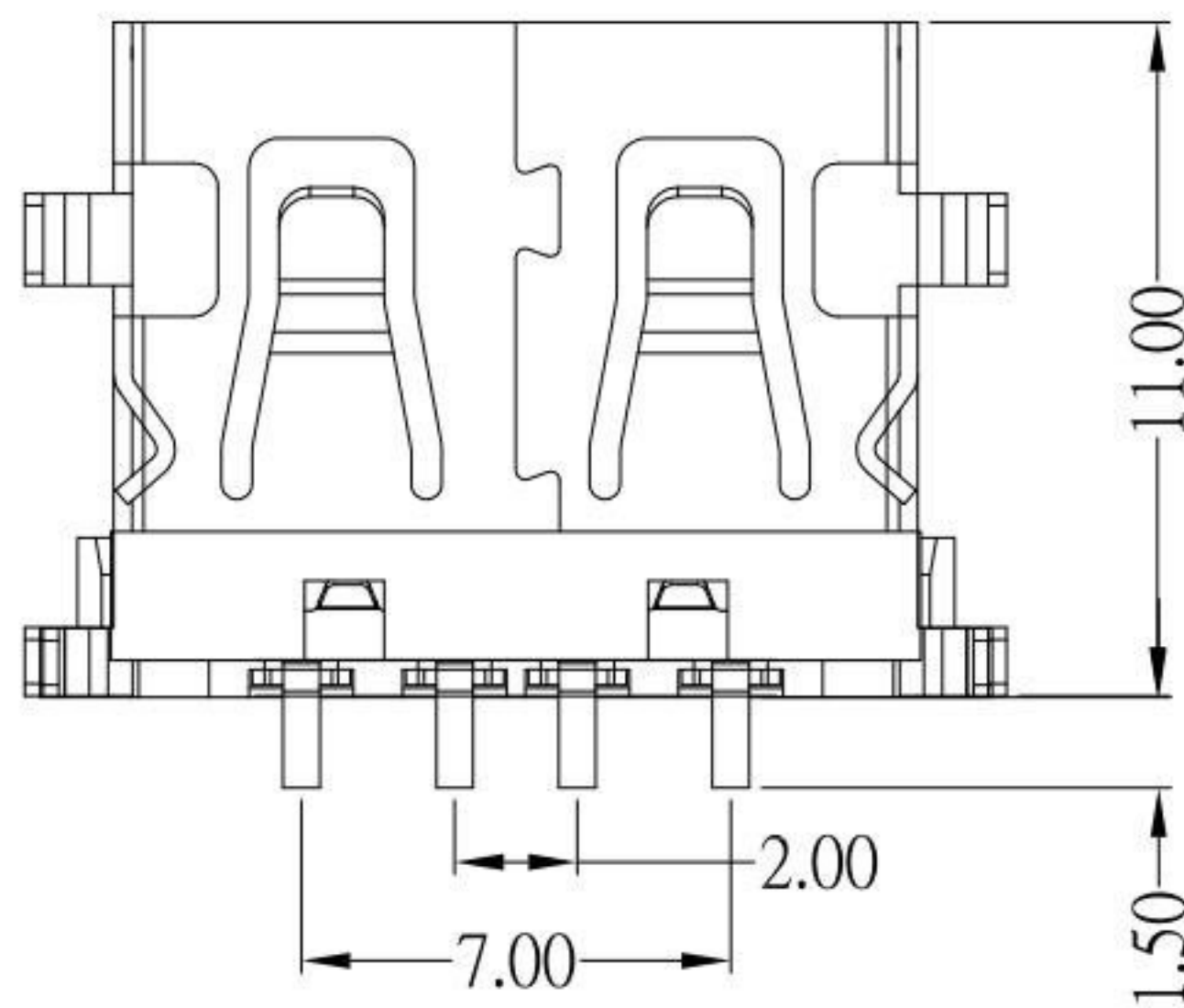
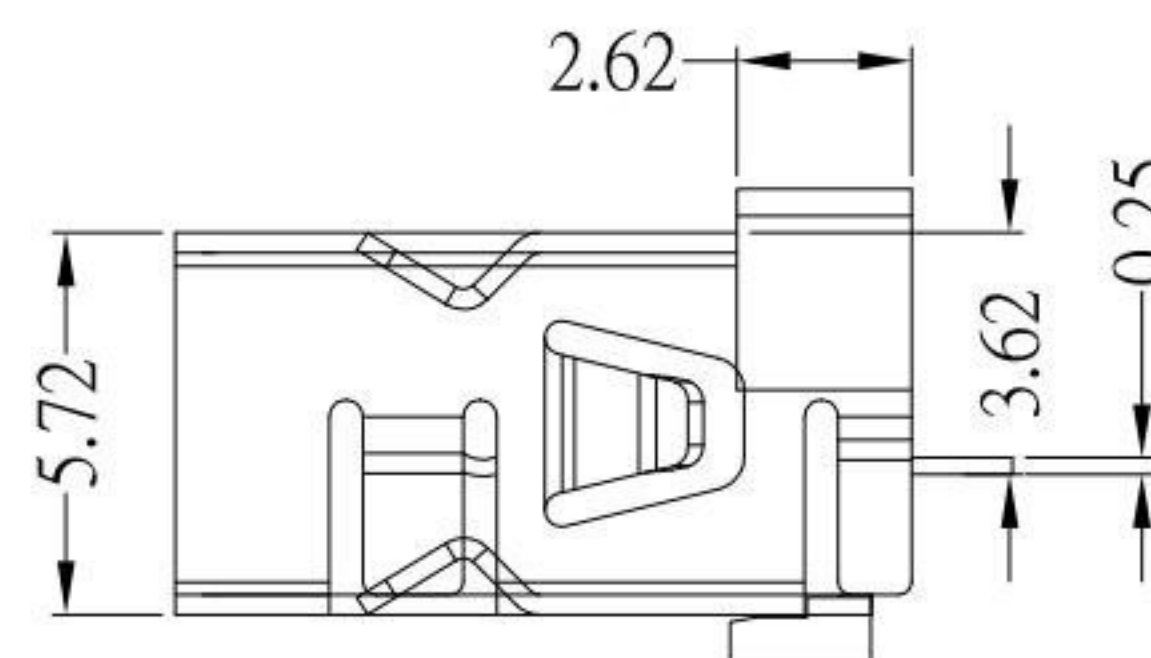
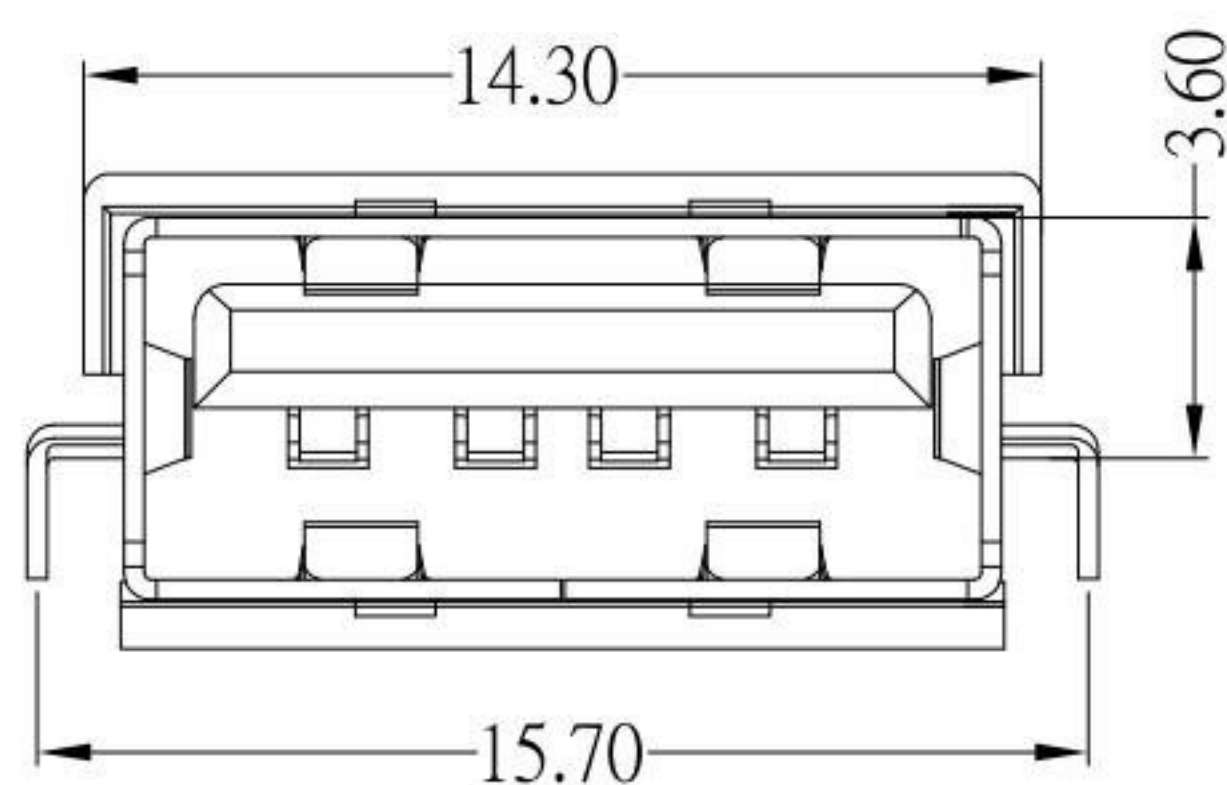


SUA-110E28-x-S236

Color :
 White : W
 Black : B



RECOMMENDED PCB LAYOUT



SPECIFICATIONS

Electrical:

- 1.Voltage Current Rating: 2.0 A, 30VDC
- 2.Contact Resistance: 30 mΩ Max
- 3.Insulation Resistance: 1,000 MΩ Min
- 4.Dielectric Withstanding Voltage: 500 V AC

Material:

- 1.Housing: Thermoplastic
- 2.Contact: Phosphor Bronze
- 3.Shell: Copper Alloy

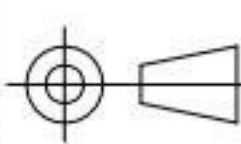
Finish:

- 1.Contact: Plated Gold in Mating Area ;
Tin Plated on Solder Balls ;
Nickel under plated overall
- 2.Shell: Nickel under Plated surface layer

KSD 科斯达电子科技有限公司
 SWITCH CONNECTOR KSD ELECTRONIC TECHNOLOGY Co., LTD
 全球 互联零组件制造企业

TOLERANCE UNLESS OTHERWISE STATED :
 Up to 5 ±0.2
 Above 5 ~ 15 ±0.3
 Above 15 ~ 30 ±0.4
 Above 30 ~ 50 ±0.5
 Angle ±0.3°

3RD. ANGEL'S



UNITS MM

DRAWN BY: Jack Lu
 DATE: 06/17/20
 CHECKED BY: Jacky Chen
 DATE: 06/17/20
 APPROVED BY: Tony Kao
 DATE: 06/17/20

MAT'L		TITLE	CONNECTOR
FINISH		MODLE	USB AF SMT 沉板正向 H3.60mm無捲邊
SCALE	1 : 1	DWG NO.	SUA-110E28-x-S236
SHEET NO.	1 of 1	PART NO.	SUA-110E28-x-S236
		SIZE	A4
		VER	R

ITEM NO.	DESCRIPTION	DRAWN	DATE