



# SUA-110E8-30x-S242

鍍層厚度:

Blank	: 1u"
2	: 15u"
3	: 30u"

## NOTE:

### 1.MATERIAL:

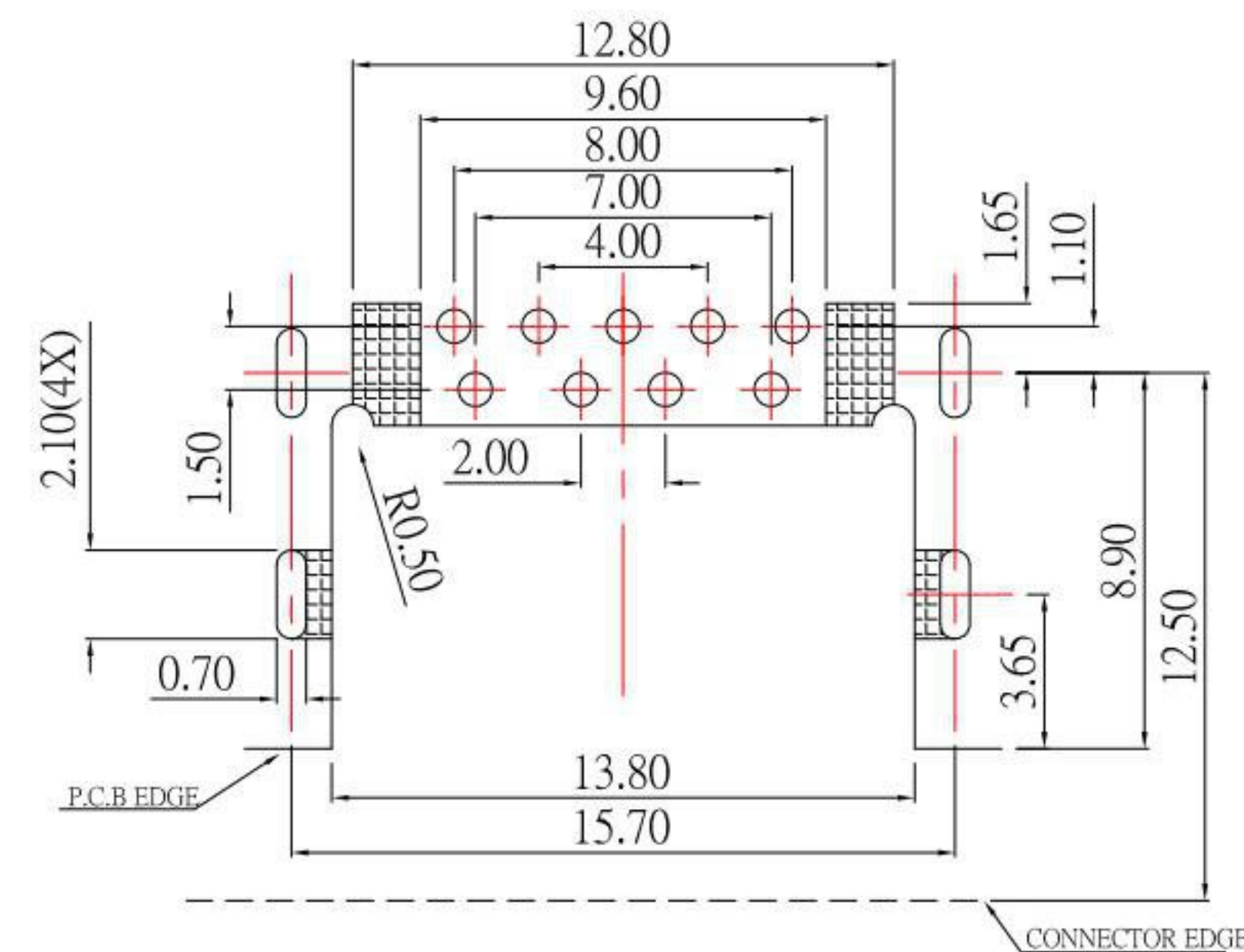
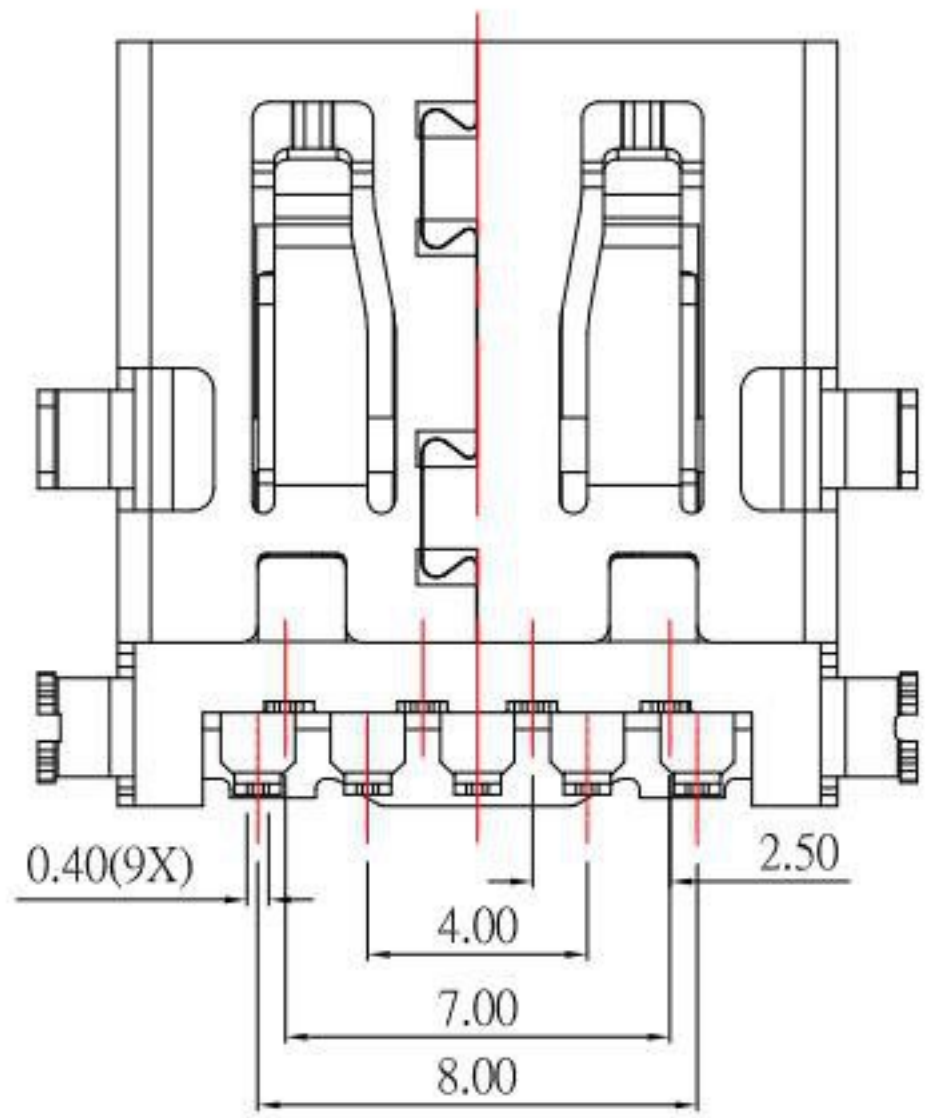
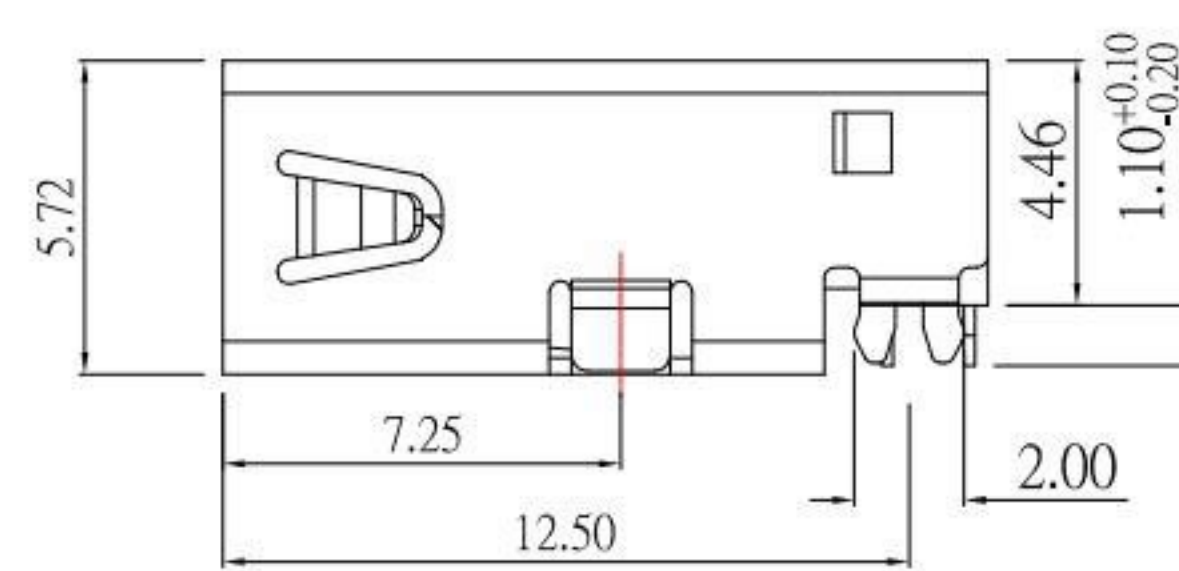
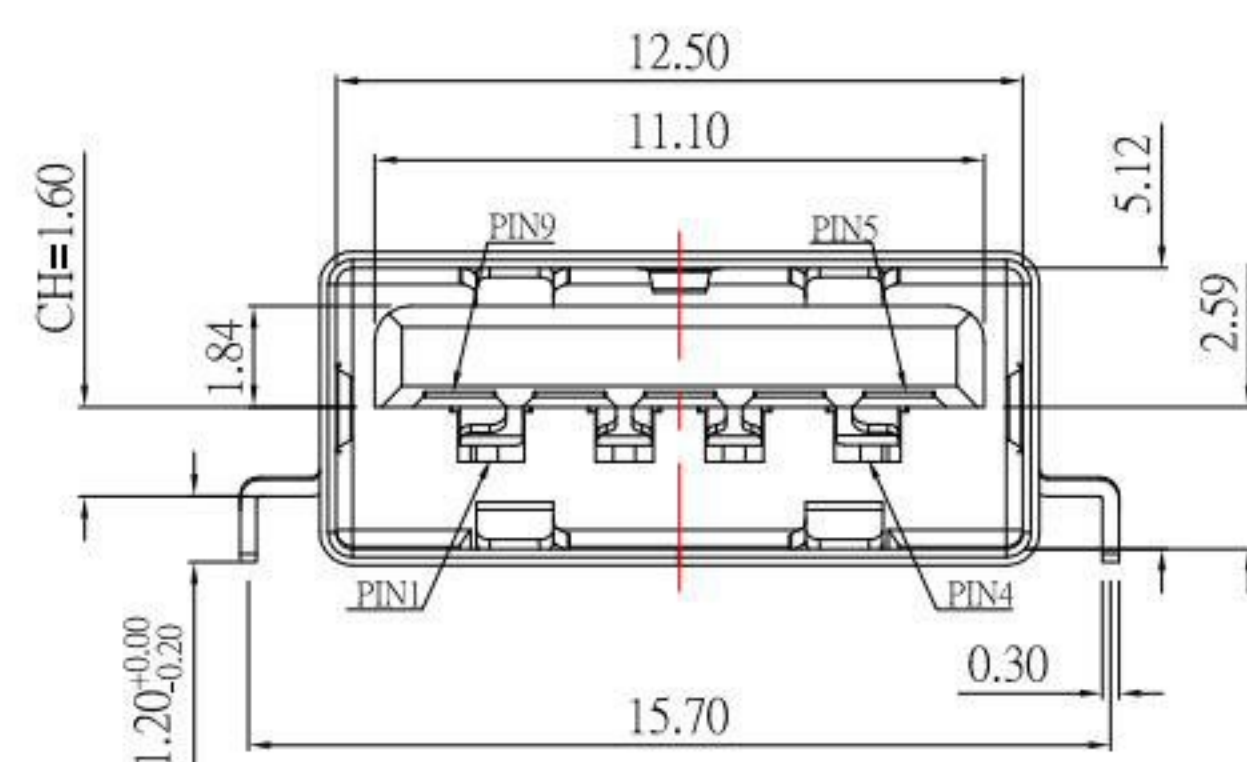
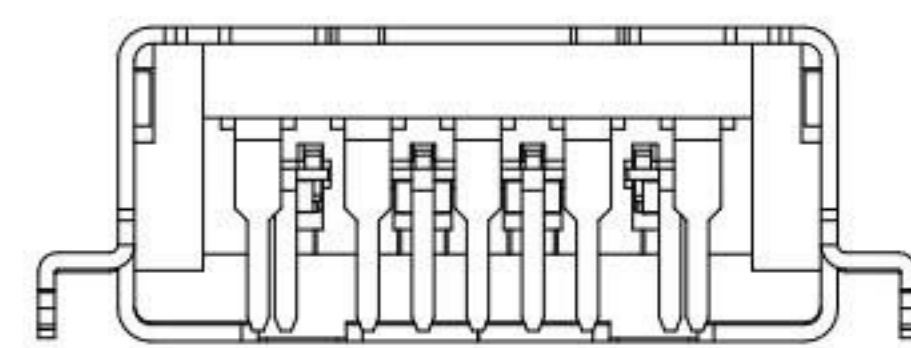
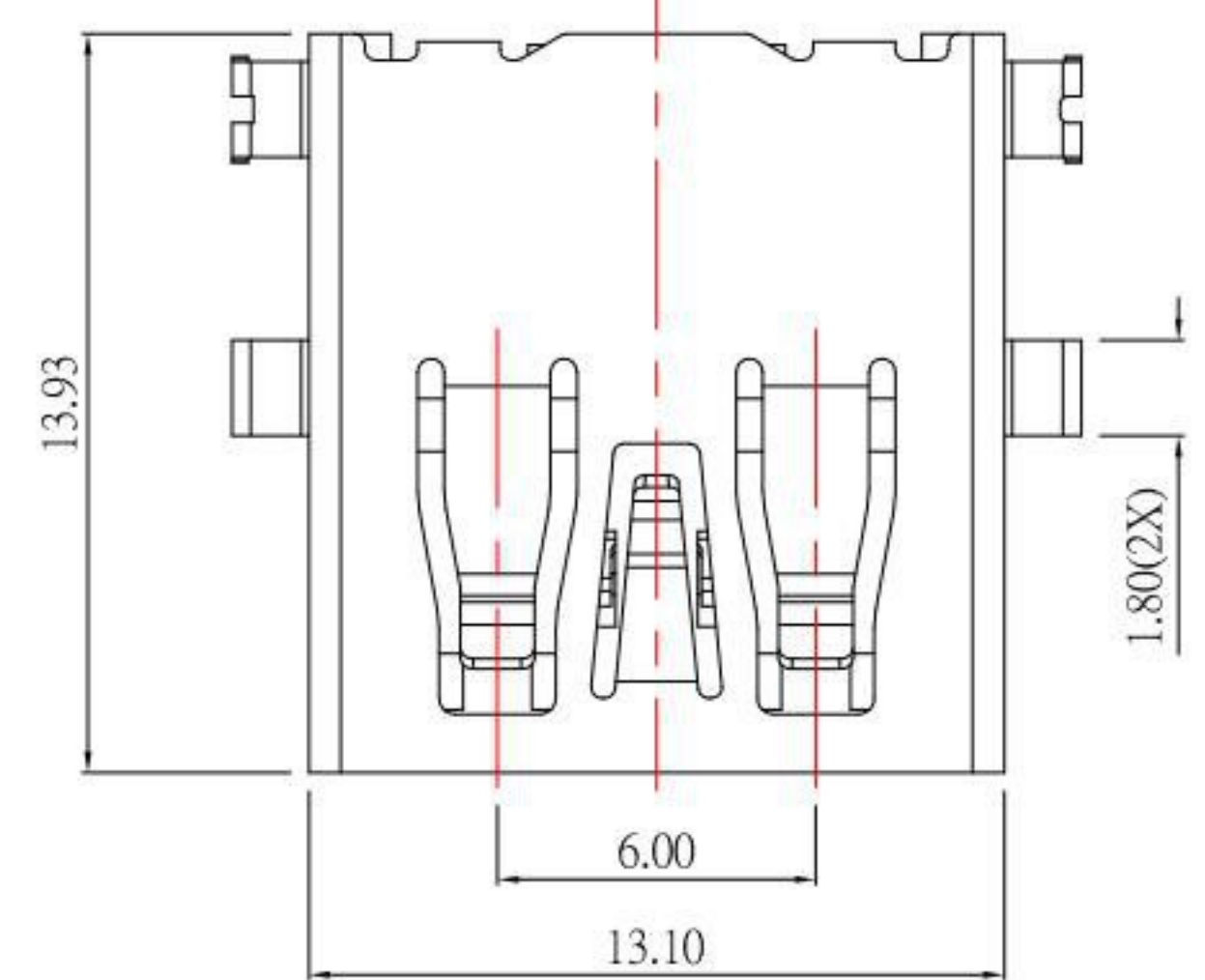
- 1.1 Housing: PBT,(UL94V-0)
- 1.2 Contact: Copper Alloy
- 1.3 Shell: SUS

### 2.Finish:

- 2.1 Contact: Plated Gold in Mating Area ;  
Tin Plated on Solder Balls ;  
Nickel under plated overall
- 2.2 Shell: Nickel under Plated surface layer

### 3.SPECIFICATION:

- 3.1 Current Rate: 1.5 A
- 3.2 insulator Resistance:100MΩ Min
- 3.3 Dielectric Strength: 500V AC
- 3.4 Contact Resistance: 30mΩ Max
- 3.5 Operation Temperature: -55°C ~ +85°C
- 3.6 Insertion Force: 35 N
- 3.7 Extraction Force: 10 N



RECOMMENDED PCB LAYOUT (TOP VIEW)

**KSD** 科斯达电子科技有限公司  
 SWITCH CONNECTOR 全球互联网组件制造企业  
 KSD ELECTRONIC TECHNOLOGY Co., LTD

TOLERANCE UNLESS OTHERWISE STATED:	Up to 5 ±0.2	5 ~ 15 ±0.3	15 ~ 30 ±0.4	30 ~ 50 ±0.5	Angle ±0.3
	3RD. ANGEL'S	UNITS	MM		

DRAWN BY:	DATE	MAT'L	TITLE	CONNECTOR
Jack Lu	08/16/18			
CHECKED BY:	DATE	FINISH	MODLE	USB 3.0 A/F 沉板H:4.46 DIP, 無捲邊
Jacky Chen	08/16/18			
APPROVED BY:	DATE	SCALE	DWG NO.	SUA-110E8-30x-S242
Tony Kao	08/16/18	1:1		
		SHEET NO.	PART NO.	SUA-110E8-30x-S242
		1 of 1		
				SIZE A4
				VER R

ITEM NO.	DESCRIPTION	DRAWN	DATE