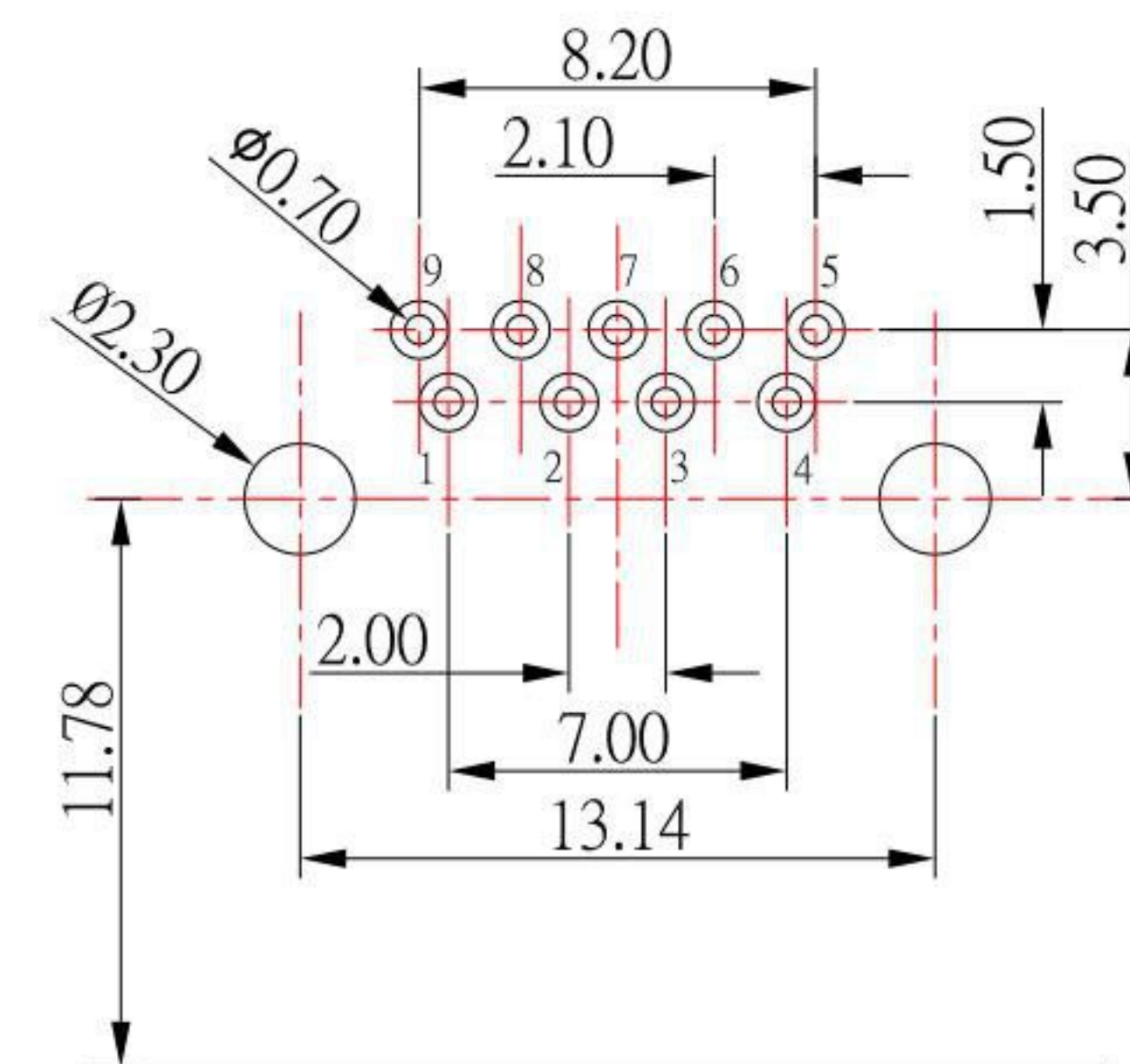
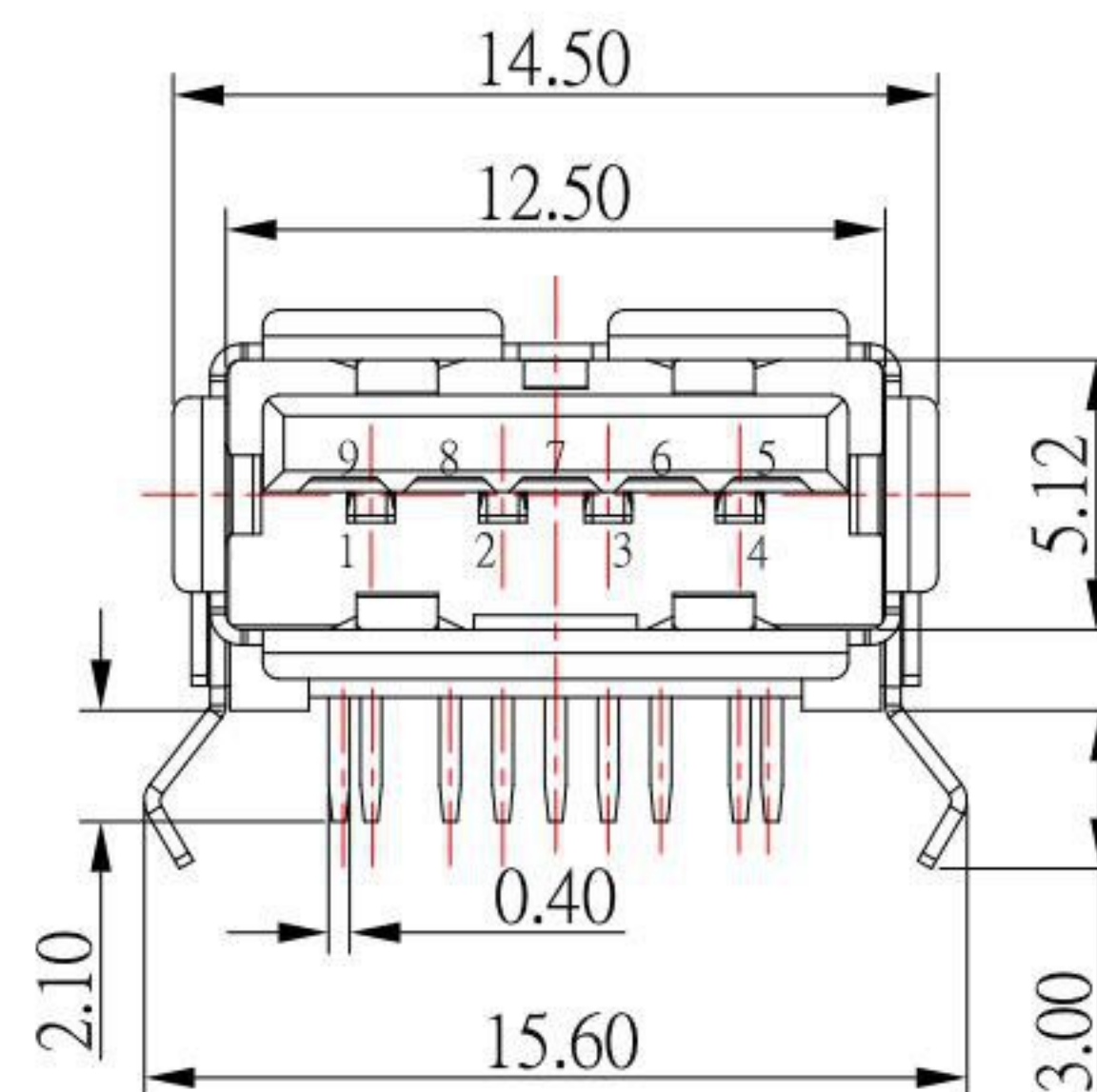
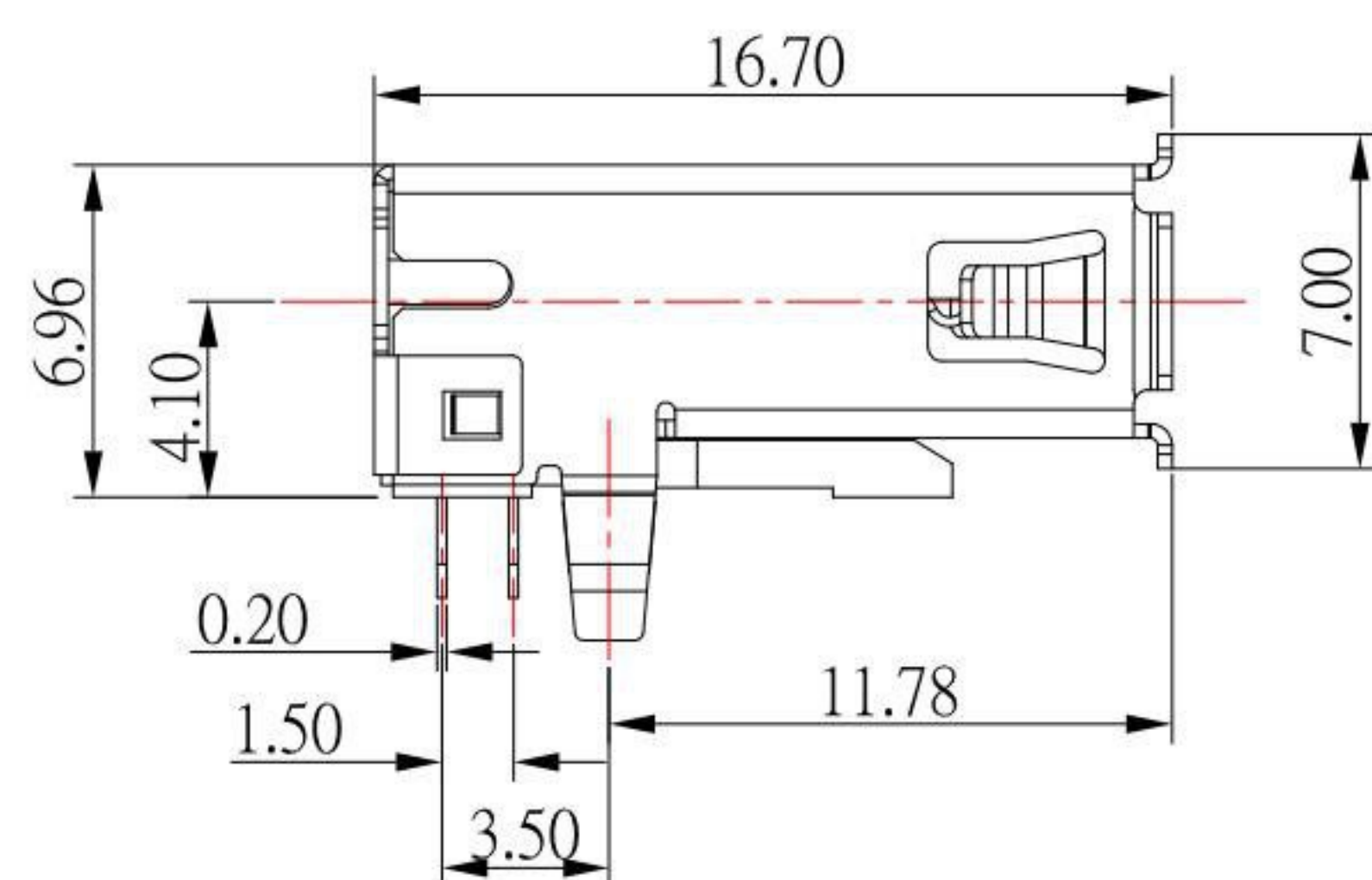
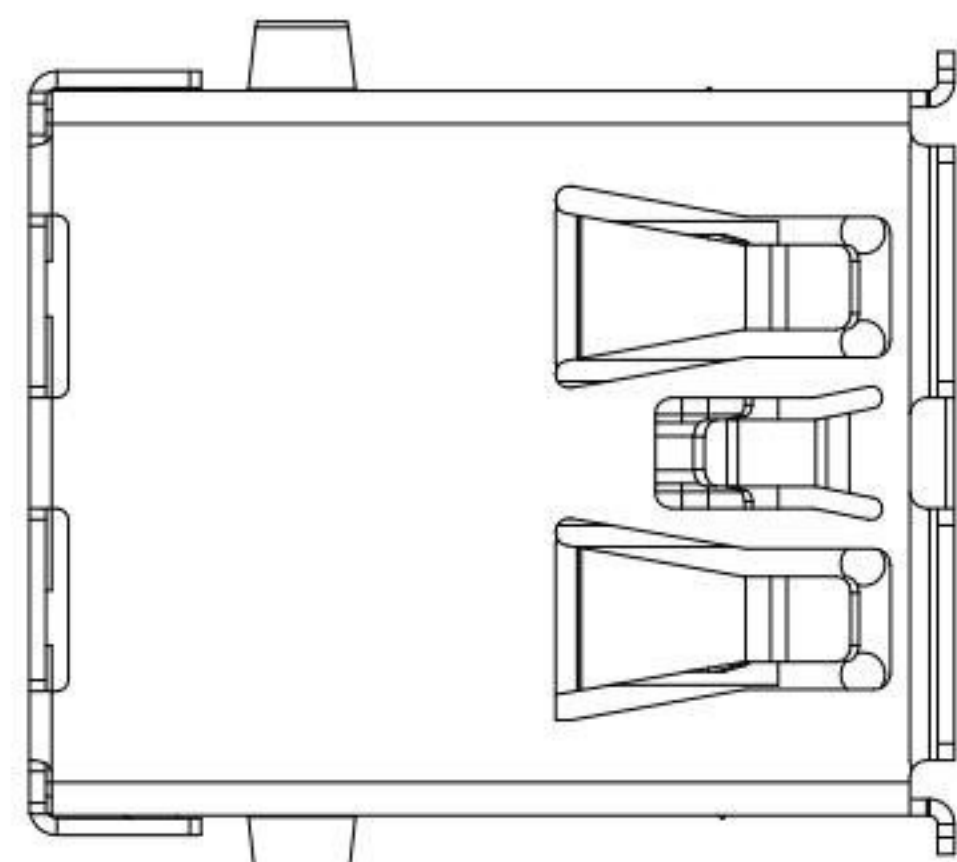




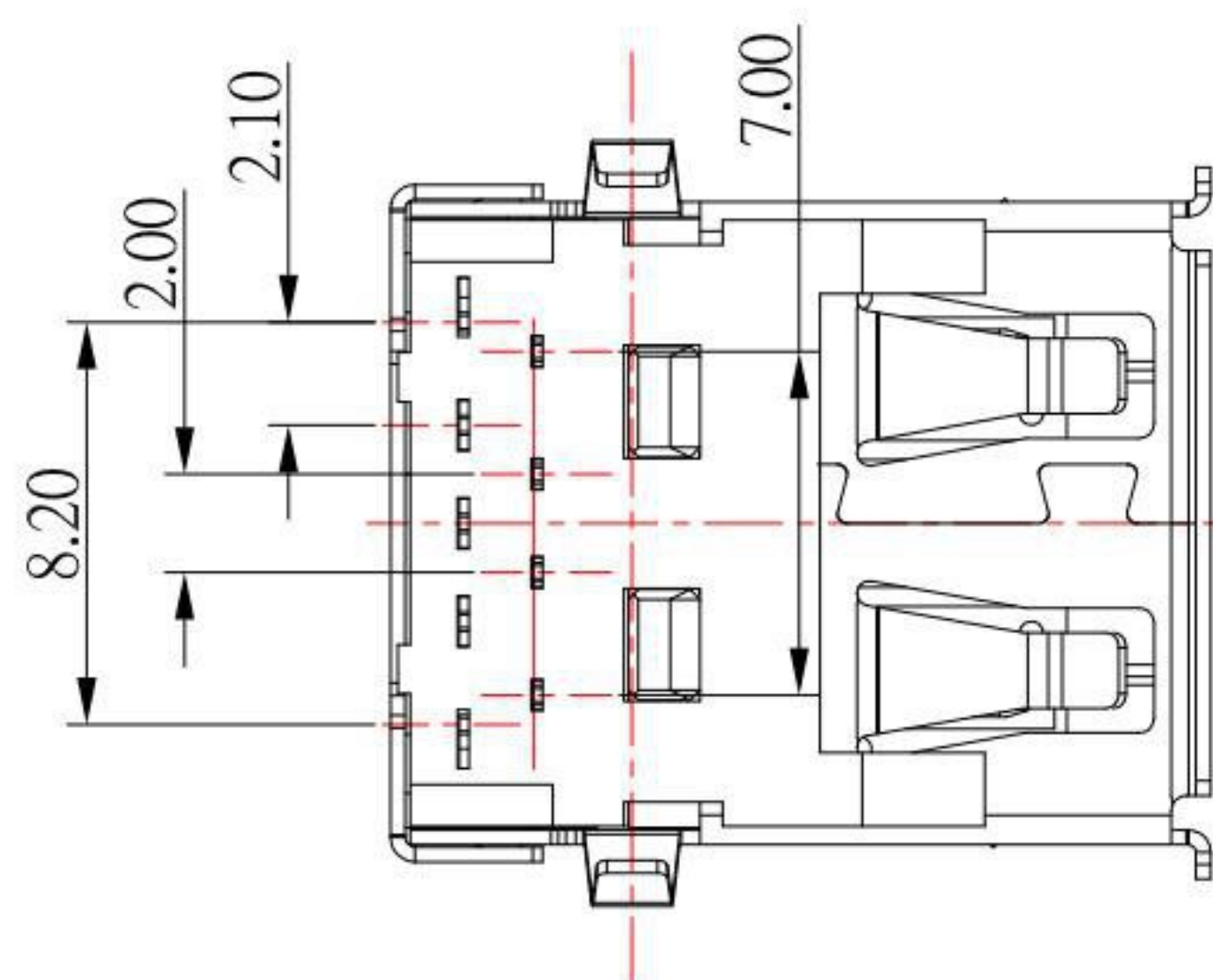
SUA-110H-30x-S277

鍍層厚度:

Blank	: 1u"
2	: 15u"
3	: 30u"



RECOMMENDED PCBA LAYOUT



SPECIFICATIONS:

1. ELECTRICAL CHARACTERISTICS:

- 1.1 CONTACT CURRENT RATING: 1.5 A
- 1.1 CONTACT RESISTANCE: 30mΩ MAX
- 1.2 DIELECTRIC WITHSTANDING VOLTAGE: 100 V
- 1.3 INSULATION RESISTANCE: 100 MΩ MIN
- 1.4 OPERATING TEMPERATURE: -40°C ~ 85°C

2. MATERIAL:

- 2.1 HOUSING: PBT, UL 94V-0
- 2.2 CONTACT: PHOSPHOR BRONZE
- 2.3 SHELL: BRASS

3. PLATING:

- 3.1 CONTACT: PLATED GOLD IN MATING AREA ;
TIN PLATED ON SOLDER BALLS ;
NICKEL UNDER PLATED OVERALL
- 3.2 SHELL: NICKEL UNDER PLATED SURFACE LAYER

KSD 科斯达电子科技有限公司
 SWITCH CONNECTOR KSD ELECTRONIC TECHNOLOGY Co., LTD
 全球 互联零组件制造企业

TOLERANCE UNLESS OTHERWISE STATED:	Up to 5 ±0.2	3RD. ANGEL'S	UNITS	MM
	Above 5 ~ 15 ±0.3			
	Above 15 ~ 30 ±0.4			
	Above 30 ~ 50 ±0.5			
	Angle ±0.3°			

DRAWN BY:	DATE	MAT'L	TITLE	CONNECTOR
Jack Lu	03/31/15			
CHECKED BY:	DATE	FINISH	MODLE	USB AF 3.0 90度DIP 彎腳
Jacky Chen	03/31/15			
APPROVED BY:	DATE	SCALE	DWG NO.	SUA-110H-30x-S277
Tony Kao	03/31/15	1 : 1		
		SHEET NO.	PART NO.	SUA-110H-30x-S277
		1 of 1		
				SIZE A4
				VER R1