



SUA-110H10x-x-S175

SHELL MATERIAL :

Blank : BRASS
I : SPCC

Color
White : W
Black : B

SPECIFICATIONS

Electrical:

- 1.Current Rating: 1.5A / contact terminal
- 2.Voltage Rating: 30V DC
- 3.Contact Resistance: 30 mΩ Max
- 4.Dielectric Withstanding Voltage: 500 V AC AT Sec Level
- 5.Insulation Resistance: 1,000 MΩ Min

Mechanical:

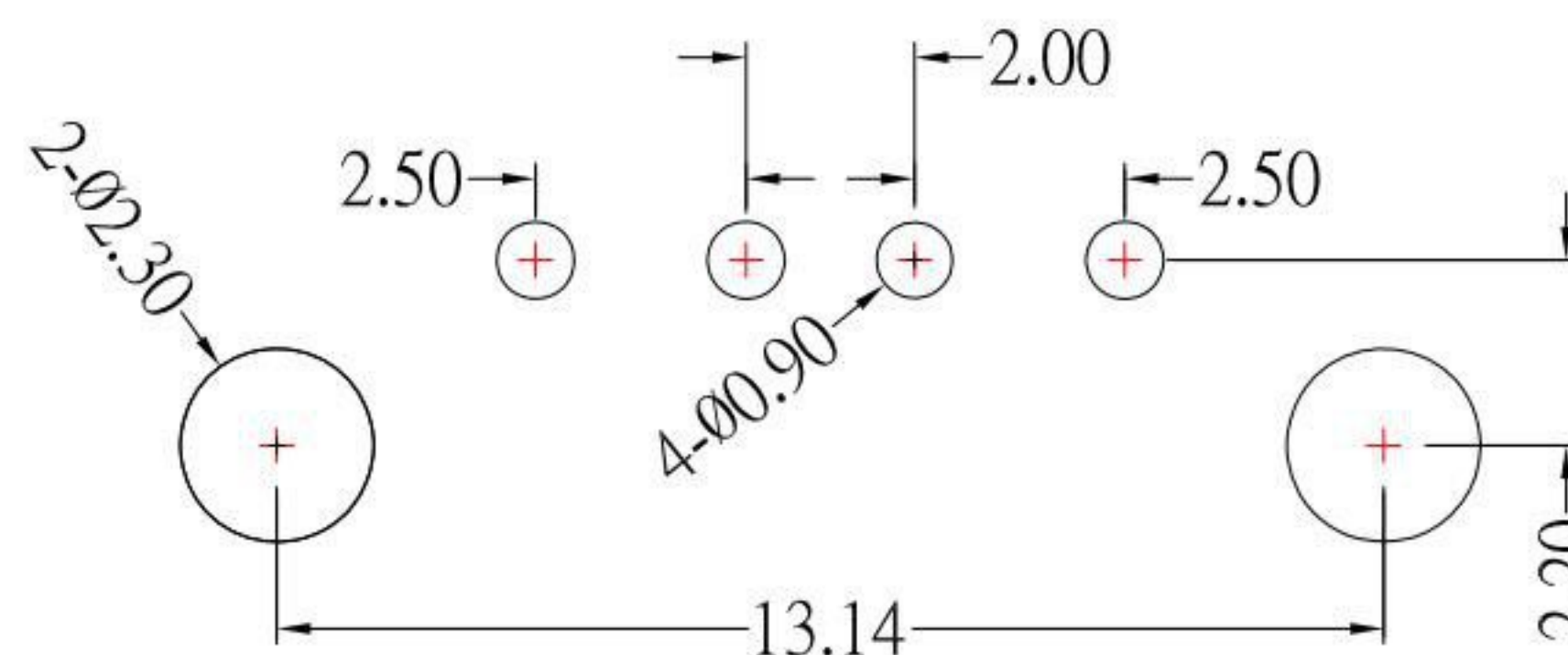
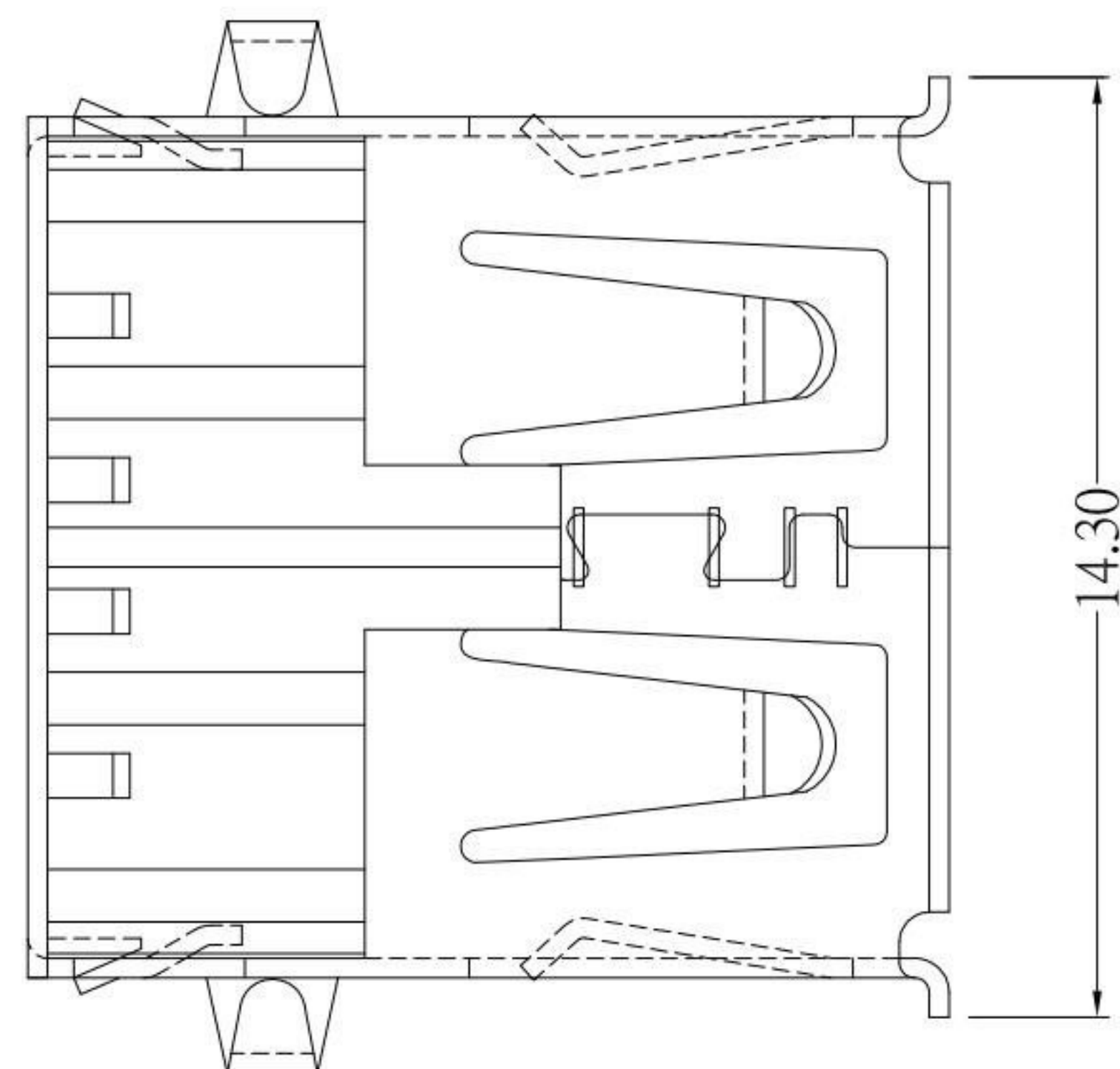
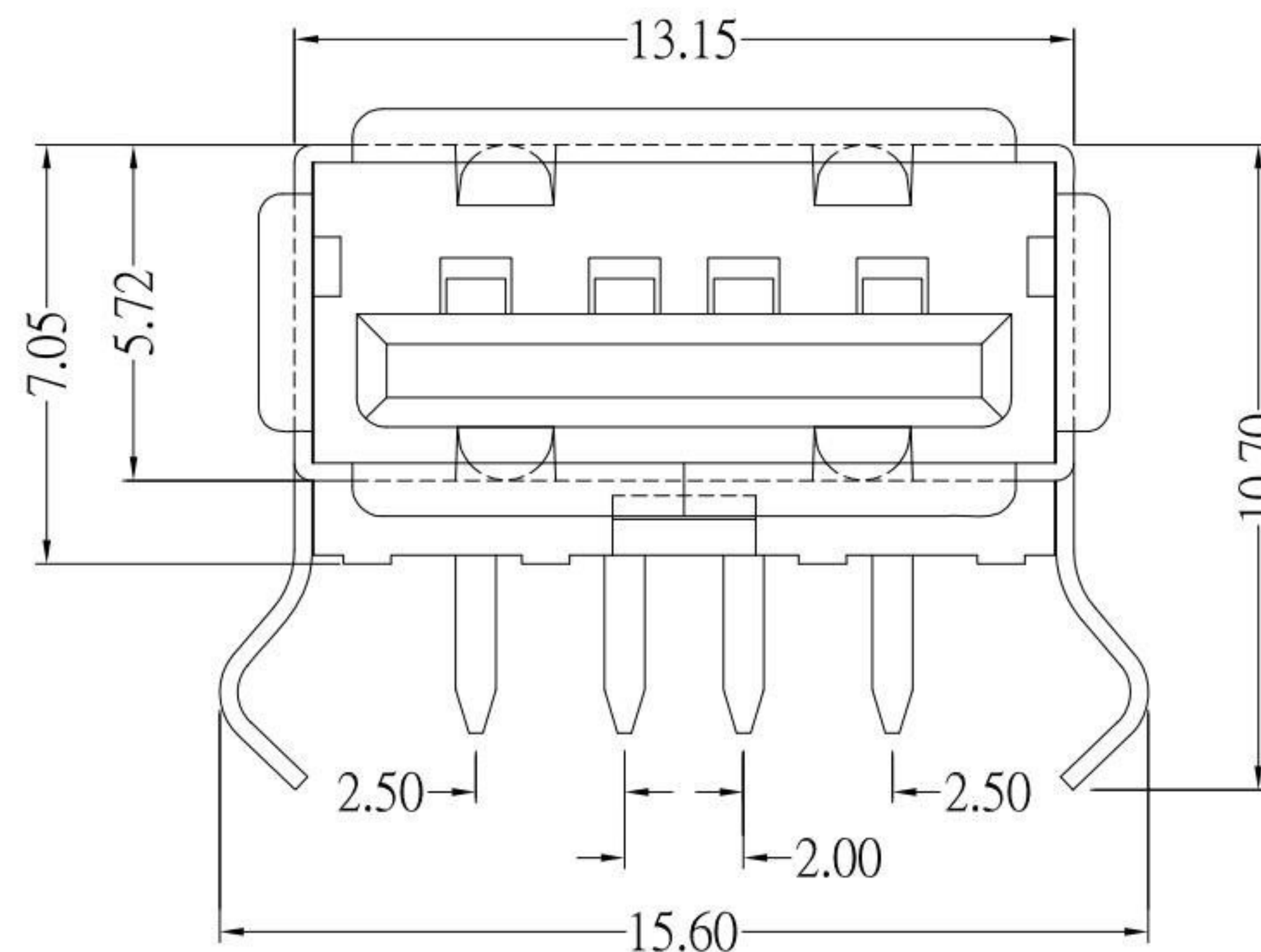
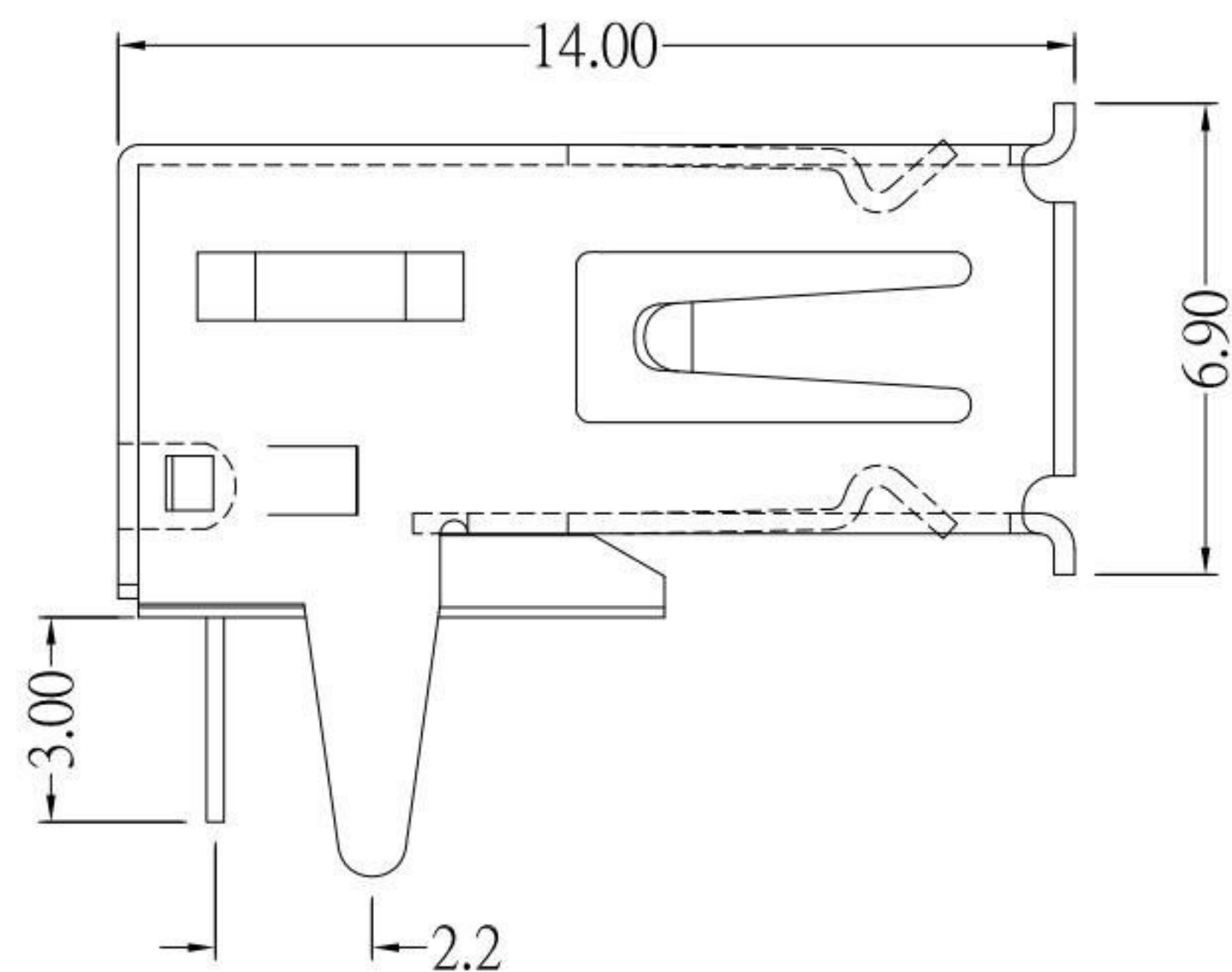
- 1.Connector Mate and Unmate Force
Mate force: 3.57 kgf (Max)
Unmate force: 1.02 kgf (Min)
- 2.Terminal Retention: 1.2 kgf (Min)

Material:

- 1.Housing: PBT
- 2.Contact: Brass
- 3.Shell: Brass / SPCC

Finish:

- 1.Contact: Plated Gold in Mating Area ;
Tin Plated on Solder Balls
Nickel under plated overall
- 2.Shell: Nickel under Plated surface layer



P.C.B LAYOUT MOUNTING PATTERN

KSD 科斯达电子科技有限公司
 SWITCH CONNECTOR KSD ELECTRONIC TECHNOLOGY Co., LTD
 全球 互联零组件制造企业

TOLERANCE UNLESS OTHERWISE STATED :	Up to 5 ±0.2	3RD. ANGEL'S	UNITS	MM
	Above 5 ~ 15 ±0.3			
	Above 15 ~ 30 ±0.4			
	Above 30 ~ 50 ±0.5			
	Angle ±0.3°			

DRAWN BY:	DATE
Jack Lu	09/30/15
CHECKED BY:	DATE
Jacky Chen	09/30/15
APPROVED BY:	DATE
Tony Kao	09/30/15

MAT'L	TITLE	CONNECTOR
FINISH	MODLE	USB AF DIP 膠芯反向
SCALE	DWG NO.	SUA-110H10x-x-S175
SHEET NO.	PART NO.	SUA-110H10x-x-S175
	SIZE	A4
	VER	R1

1	新增外殼選項	Jack	093015
ITEM NO.	DESCRIPTION	DRAWN	DATE