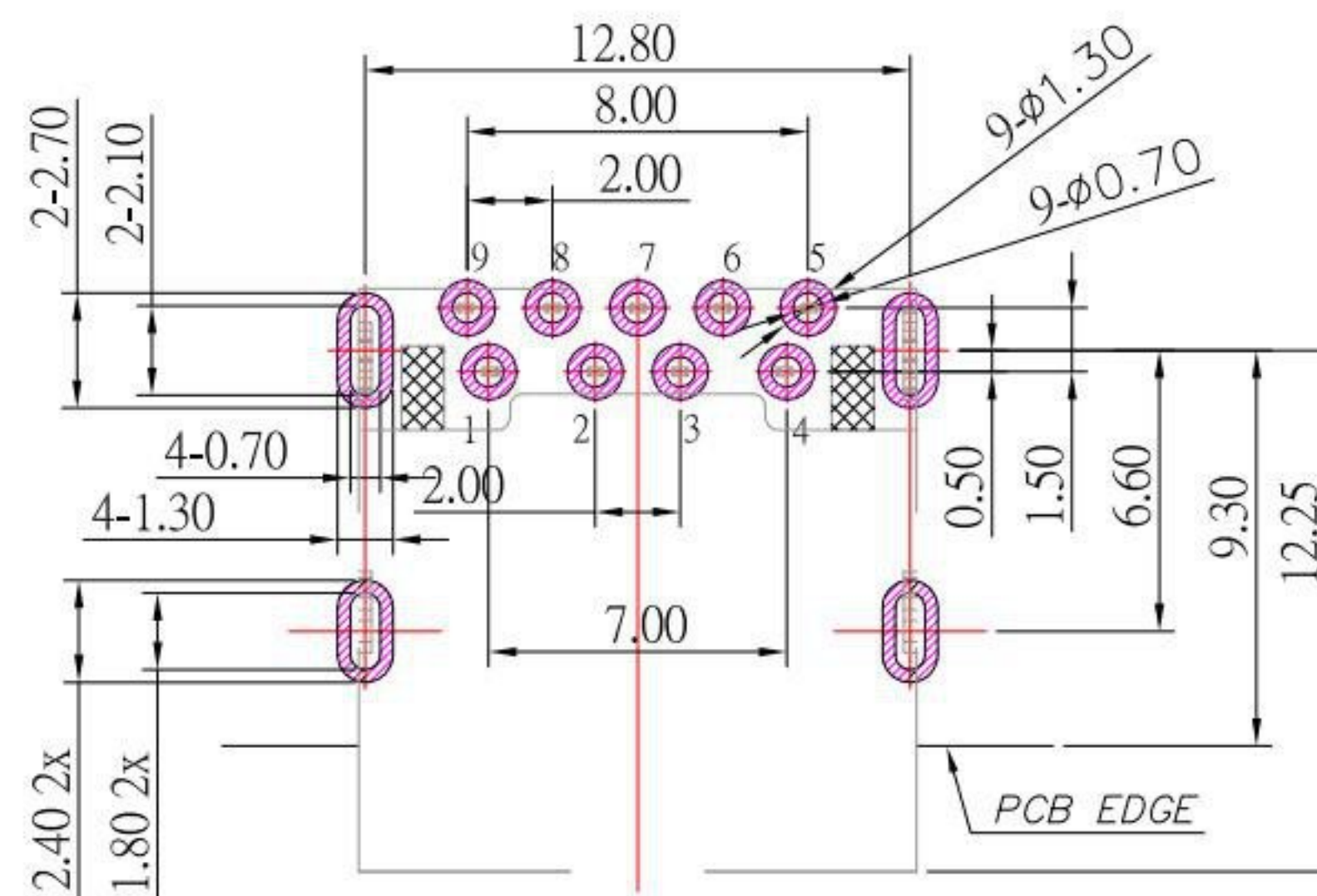
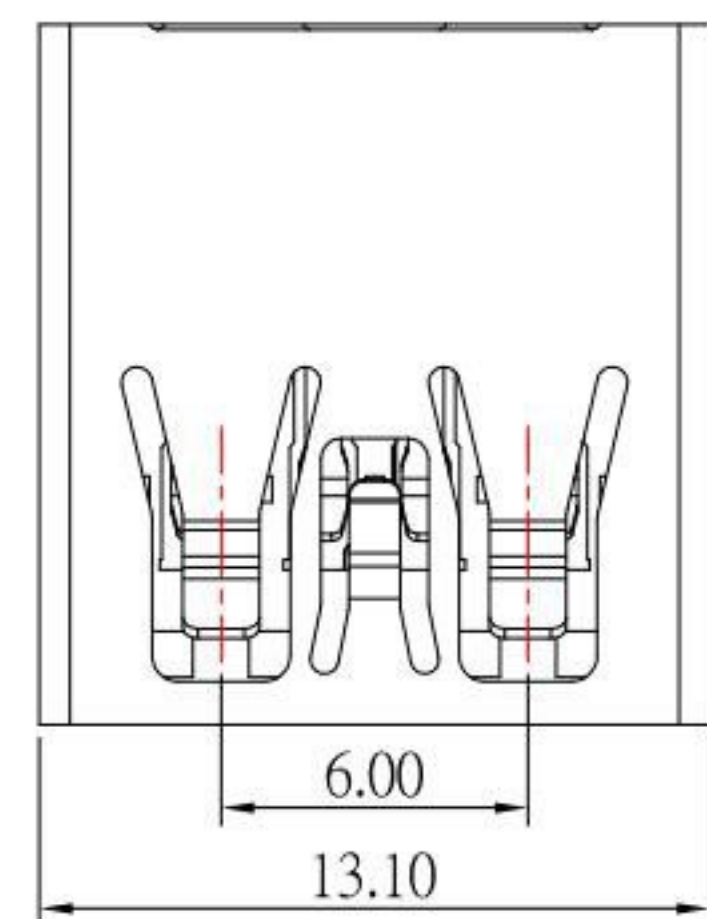




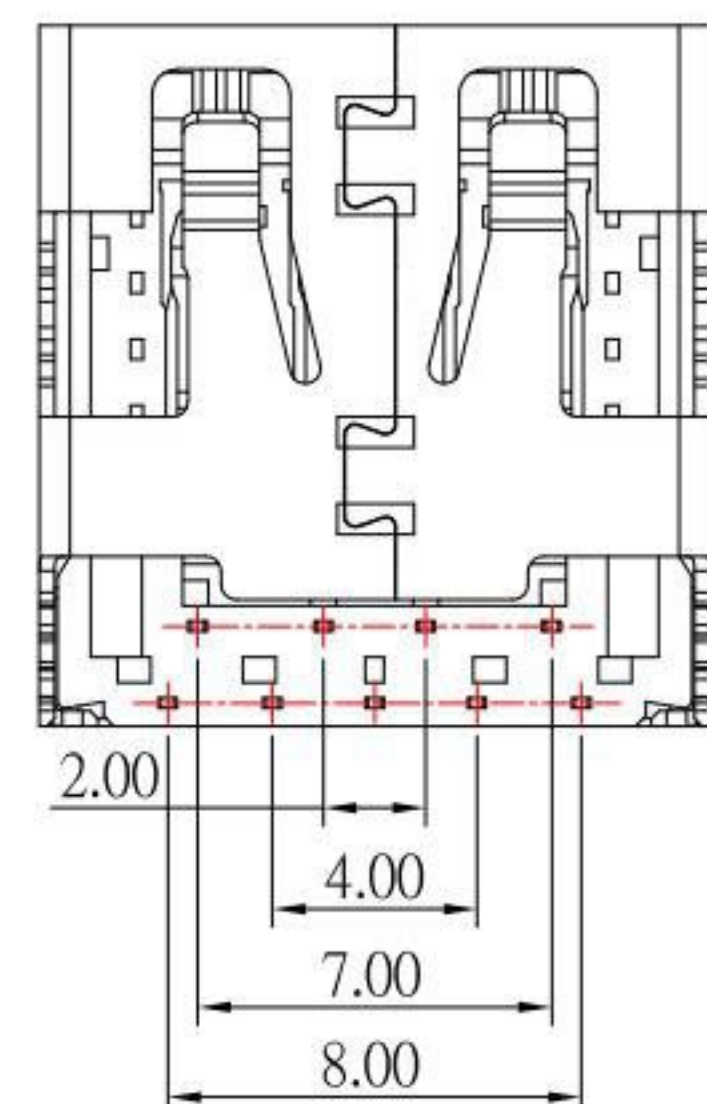
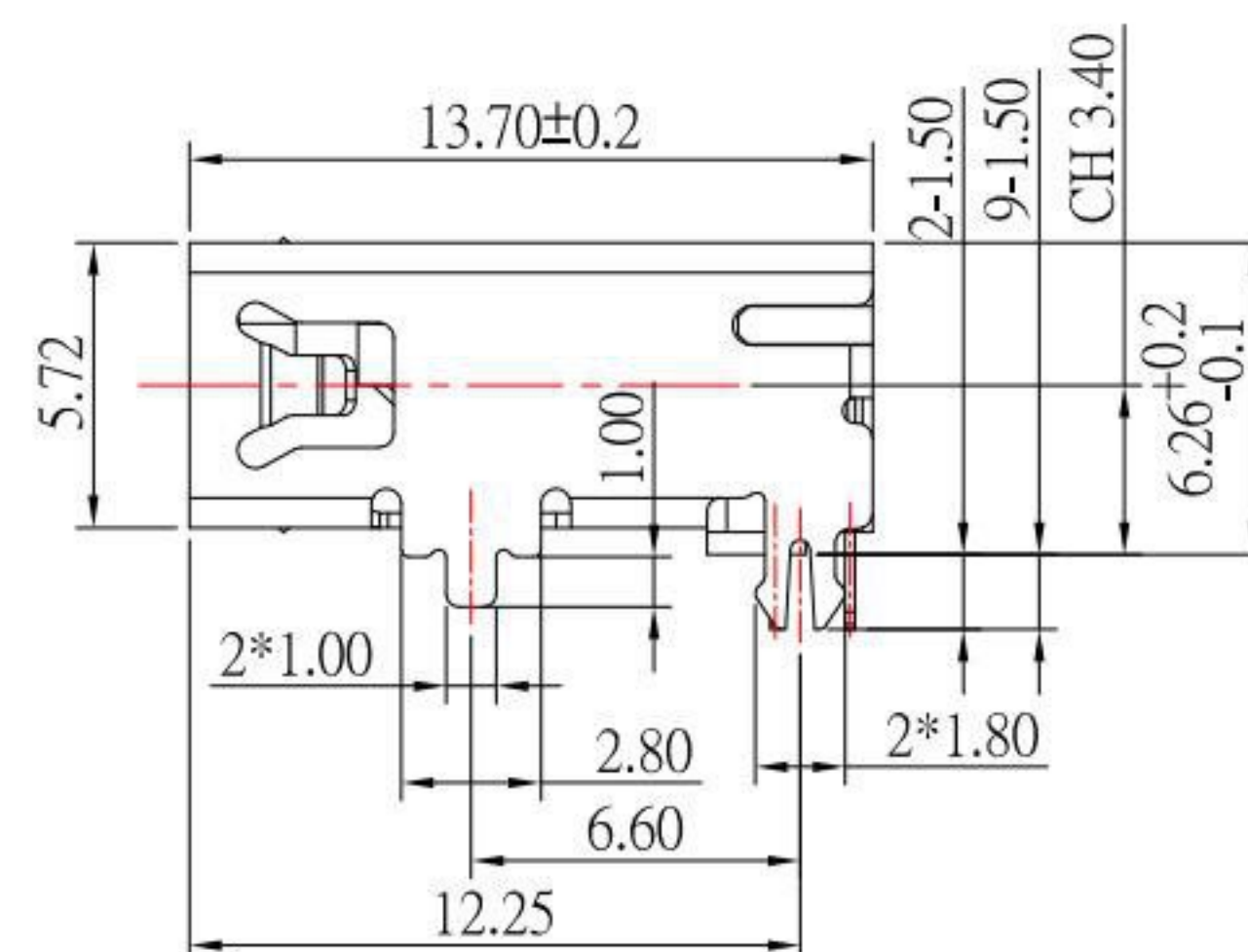
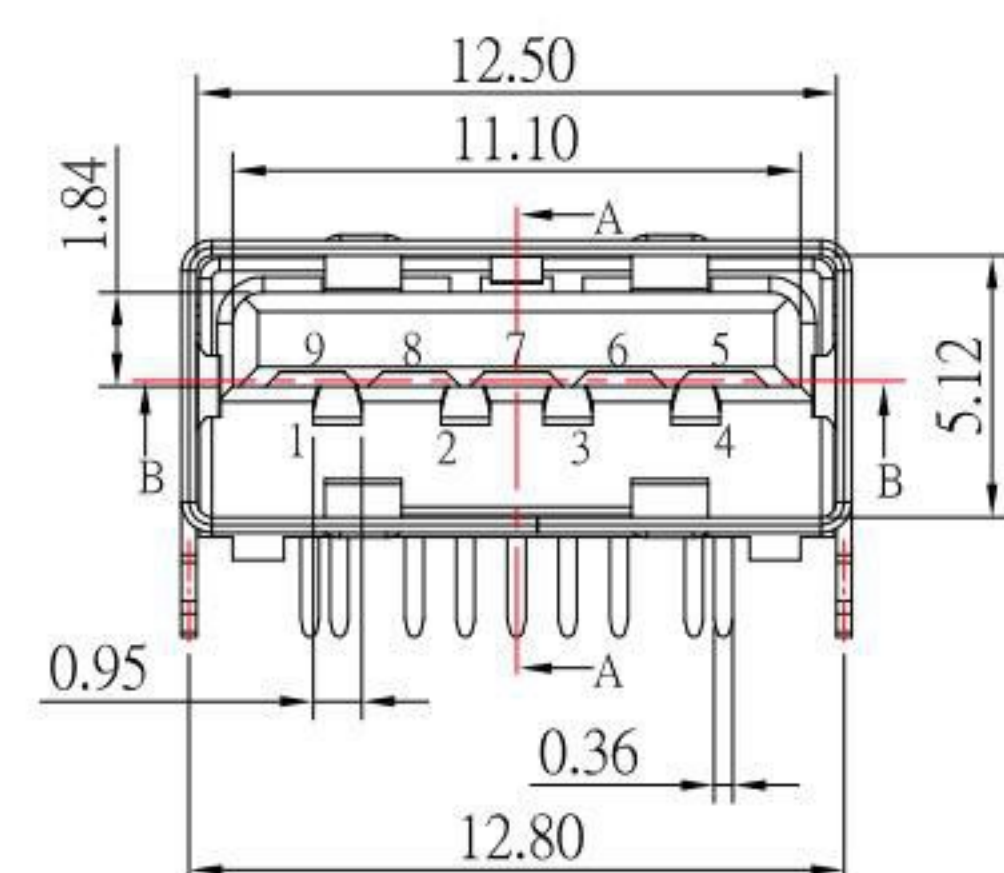
SUA-110H12A-30x-S277

鍍層厚度:

| | |
|-------|--------|
| Blank | : 1u" |
| 2 | : 15u" |
| 3 | : 30u" |



RECOMMENDED PCB LAYOUT



| Pin # | SIGNAL NAME | DESCRIPTION | MATING SEQUENCE |
|-------|-------------|--|-----------------|
| 1 | VBUS | POWER | SECOND |
| 2 | D- | USB 2.0 DIFFERENTIAL PAIR | THIRD |
| 3 | D+ | | |
| 4 | GND | GROUND FOR POWER RETURN | SECOND |
| 5 | StdA_SSRX- | SUPERSPEED RECEIVER DIFFERENTIAL PAIR | LAST |
| 6 | StdA_SSRX+ | | |
| 7 | GND_DRAIN | GROUND FOR SIGNAL RETURN | |
| 8 | StdA_SSTX- | SUPERSPEED TRANSMITTER DIFFERENTIAL PAIR | |
| 9 | StdA_SSTX+ | | |
| Shell | Shield | CONNECTOR METAL SHELL | FRIST |

SPECIFICATIONS

Electrical:

- 1.Rating: 1.5A
- 2.Contact Resistance: 30 mΩ Max
- 3.Insulation Resistance: 100 MΩ Min
- 4.Dielectric Withstanding Voltage: 100V AC
- 5.Insertion Force: 35N
- 6.Extraction Force: 10N

Material:

- 1.Housing: High Temperature PLastic
- 2.Contact: Copper Alloy
- 3.Shell: SUS

Finish:

- 1.Contact: Plated Gold in Mating Area ;
Tin Plated on Solder Balls
Nickel under plated overall
- 2.Shell: Nickel under Plated surface layer

KSD 科斯达电子科技有限公司
SWITCH CONNECTOR KSD ELECTRONIC TECHNOLOGY Co., LTD
全球 互联零组件制造企业

| | | | | | |
|------------------------------------|--------------|-------------|--------------|--------------|-------------|
| TOLERANCE UNLESS OTHERWISE STATED: | Up to 5 ±0.2 | 5 ~ 15 ±0.3 | 15 ~ 30 ±0.4 | 30 ~ 50 ±0.5 | Angle ±0.3° |
| | 3RD. ANGEL'S | UNITS | MM | | |

| | | | | |
|--------------|----------|-----------|----------|--|
| DRAWN BY: | DATE | MAT'L | TITLE | CONNECTOR |
| Jack Lu | 12/05/19 | | | |
| CHECKED BY: | DATE | FINISH | MODLE | USB AF 3.0 脚距6.6 H6.26mm L13.7 端子脚长1.5 |
| Jacky Chen | 12/05/19 | | | |
| APPROVED BY: | DATE | SCALE | DWG NO. | SUA-110H12A-30x-S277 |
| Tony Kao | 12/05/19 | 1 : 1 | | |
| | | SHEET NO. | PART NO. | SUA-110H12A-30x-S277 |
| | | 1 of 1 | | |

| ITEM NO. | DESCRIPTION | DRAWN | DATE |
|----------|-------------|-------|------|
| | | | |