

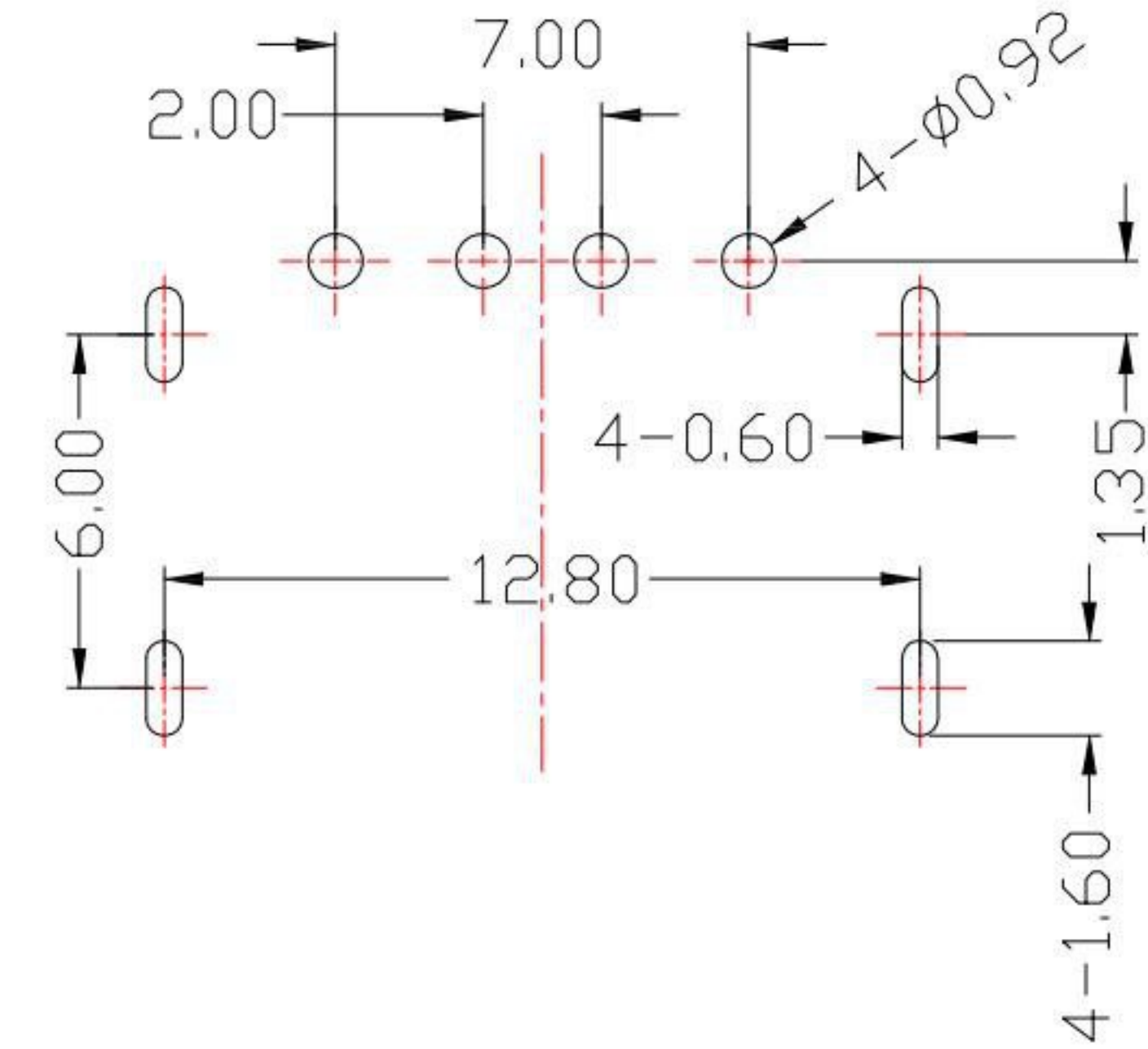
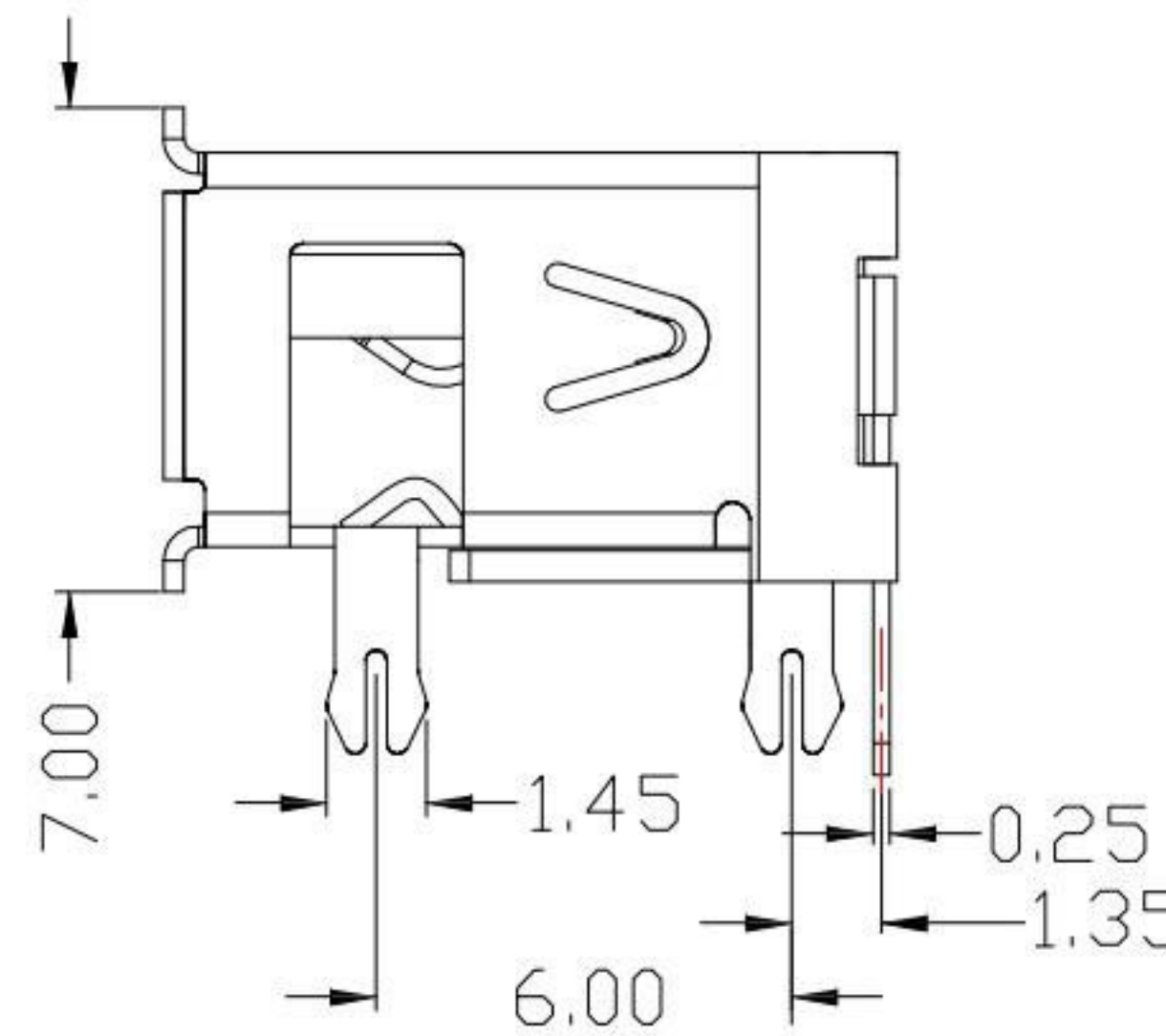
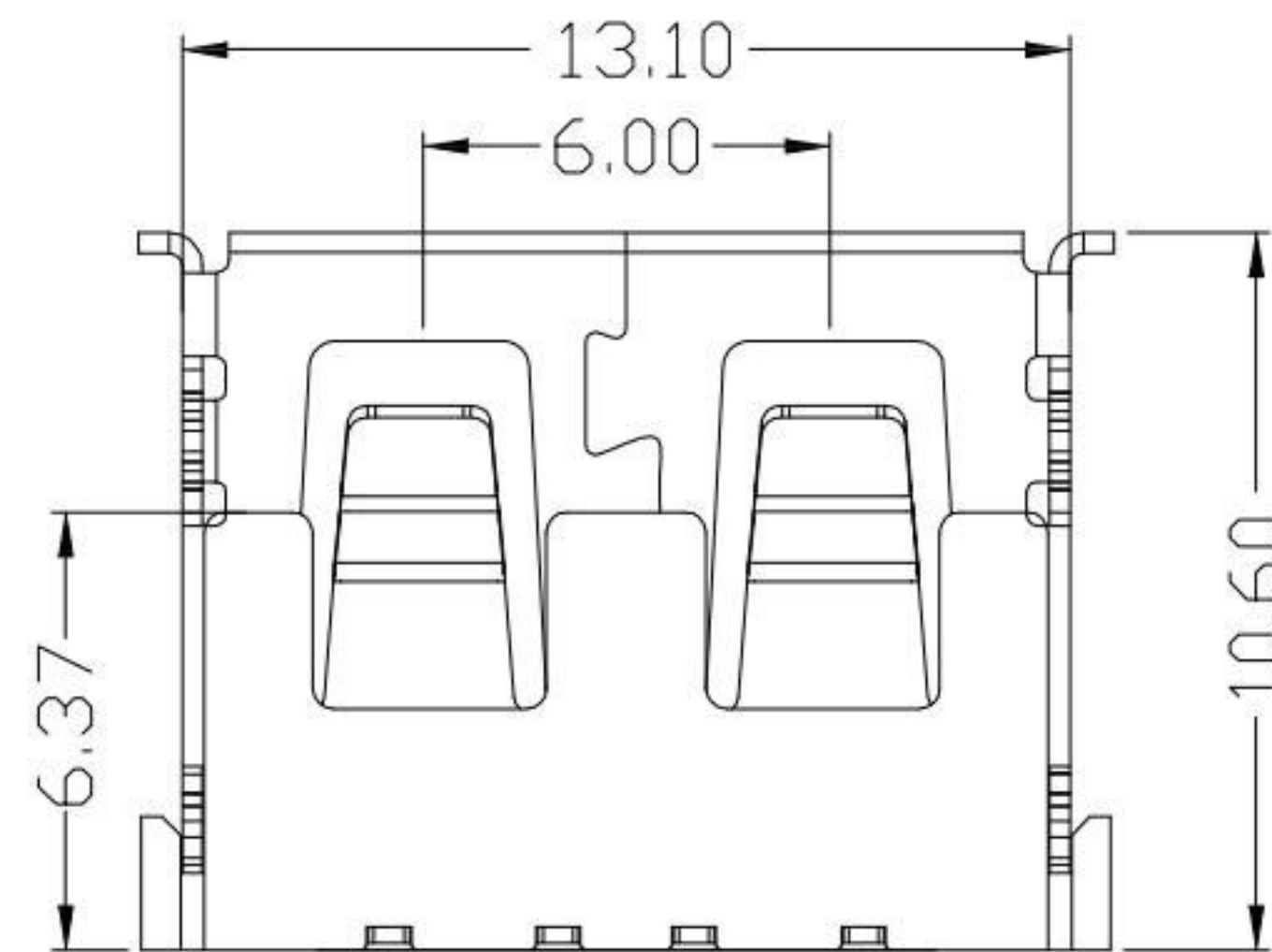
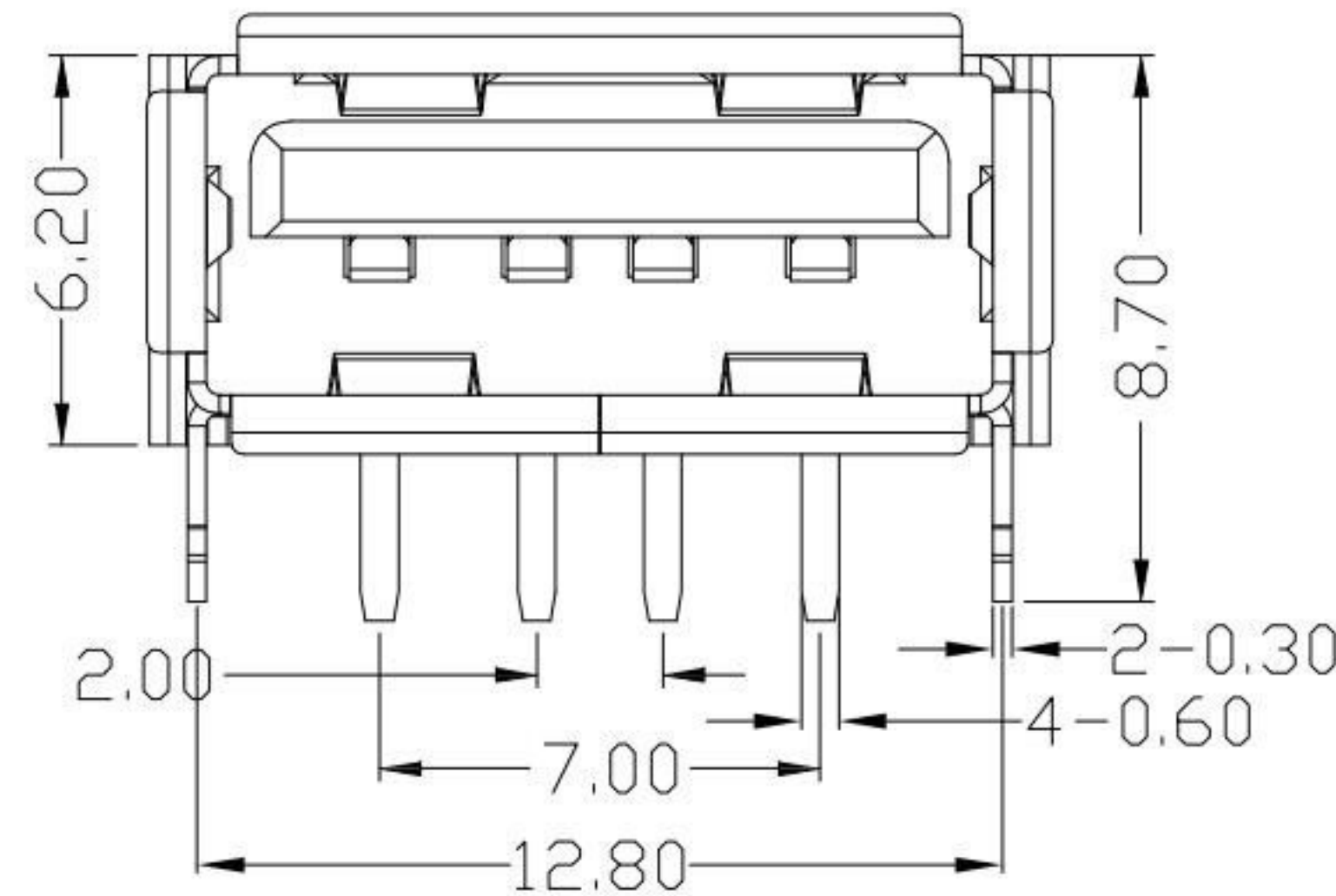
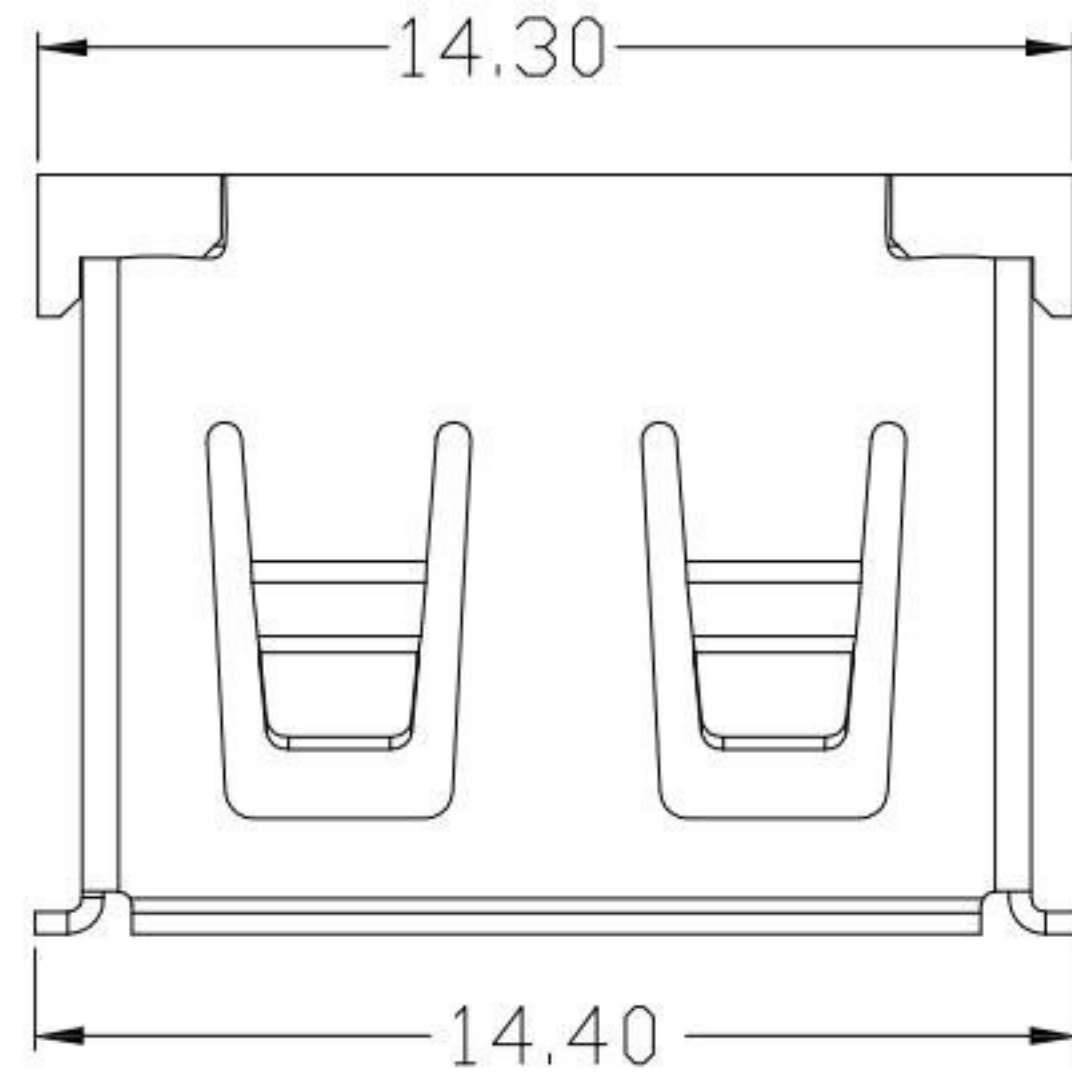


# SUA-110H15-x-S235

COLOR :

Black: B

White : W



P.C.B LAYOUT MOUNTING PATTERN

## SPECIFICATIONS

### Electrical:

- Contact Resistance: 30 mΩ Max
- Dielectric Withstanding Voltage: 500 V AC FOR 1 MIN
- Insulation Resistance: 1,000 MΩ Min
- Operating Temperature: -55°C ~ 85°C

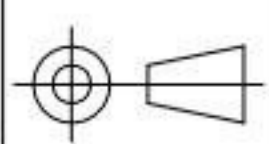
### Mechanical:

- Connector Mate and Unmate Force  
 Mate force: 3.57 kgf (Max)  
 Unmate force: 1.02 kgf (Min)

**KSD** 科斯达电子科技有限公司  
 SWITCH CONNECTOR KSD ELECTRONIC TECHNOLOGY Co., LTD  
 全球 互联零组件制造企业

TOLERANCE UNLESS OTHERWISE STATED:  
 Up to 5 ±0.2  
 Above 5 ~ 15 ±0.3  
 Above 15 ~ 30 ±0.4  
 Above 30 ~ 50 ±0.5  
 Angle ±0.3°

3RD. ANGEL'S



UNITS

MM

DRAWN BY:	DATE	MAT'L	TITLE	CONNECTOR
Jack Lu	08/18/15		MODLE	USB AF DIP 10.6MM四腳有邊H=6.2
CHECKED BY:	DATE	FINISH	DWG NO.	SUA-110H15-x-S235
Jacky Chen	08/18/15		PART NO.	SUA-110H15-x-S235
APPROVED BY:	DATE	SCALE	SHEET NO.	1 of 1
Tony Kao	08/18/15	1 : 1		

2	更新為A0版	Jack	081815
1	新增外殼腳到PIN的尺寸	Jack	100413
ITEM NO.	DESCRIPTION	DRAWN	DATE