



SUA-110H2-30x-S277

鍍層厚度:

Blank	: 1u"
2	: 15u"
3	: 30u"

NOTE:

1.MATERIAL:

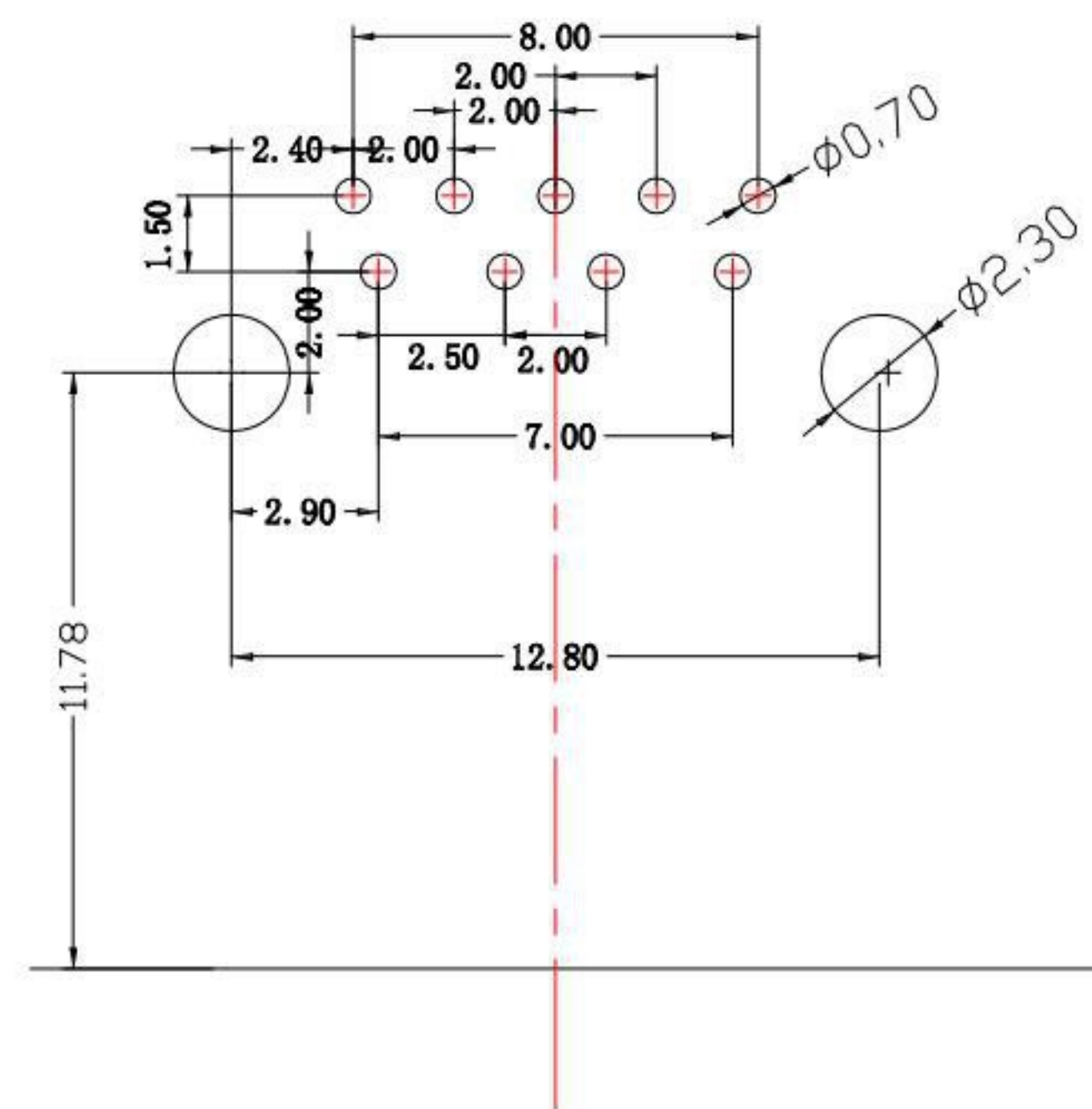
- 1.1 Housing: PBT,(UL94V-0)
- 1.2 Contact: Phosphor Bronze
- 1.3 Shell: Brass
- 1.4 Cover: PBT

2.Finish:

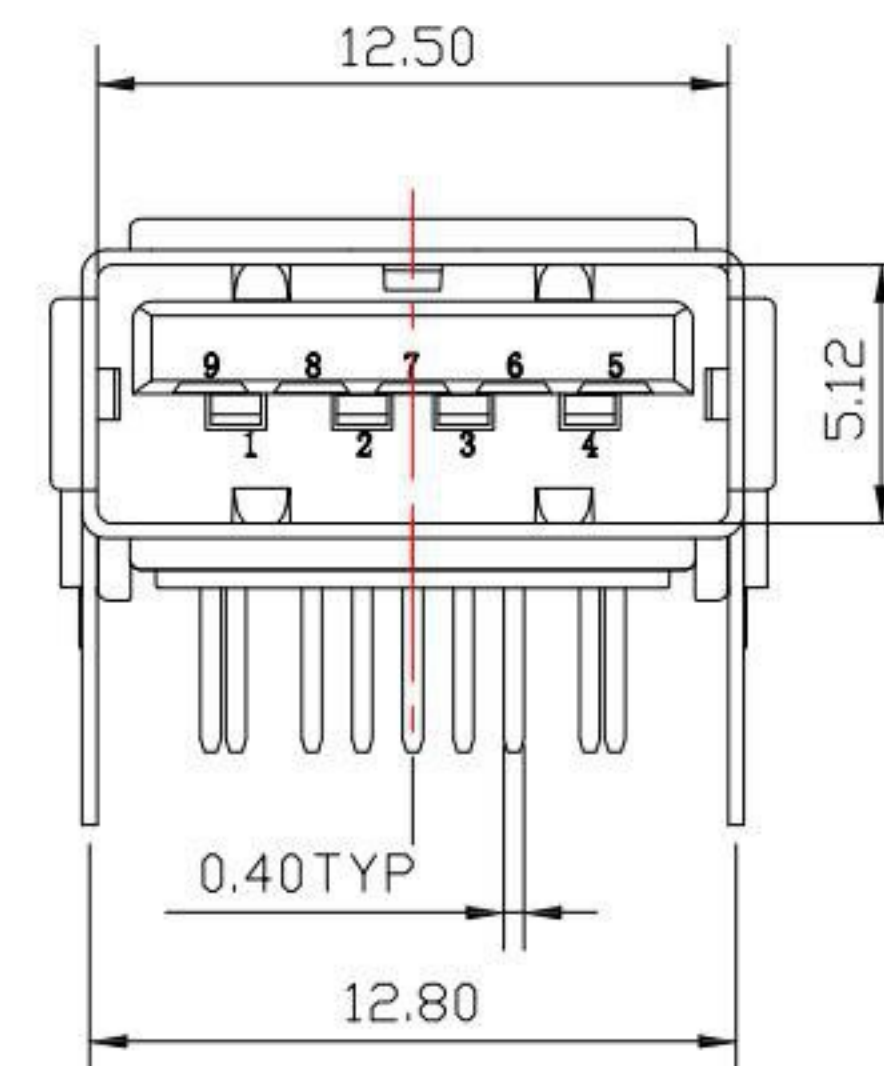
- 2.1 Contact: Plated Gold in Mating Area ;
Tin Plated on Solder Balls ;
Nickel under plated overall
- 2.2 Shell: Nickel under Plated surface layer

3.SPECIFICATION:

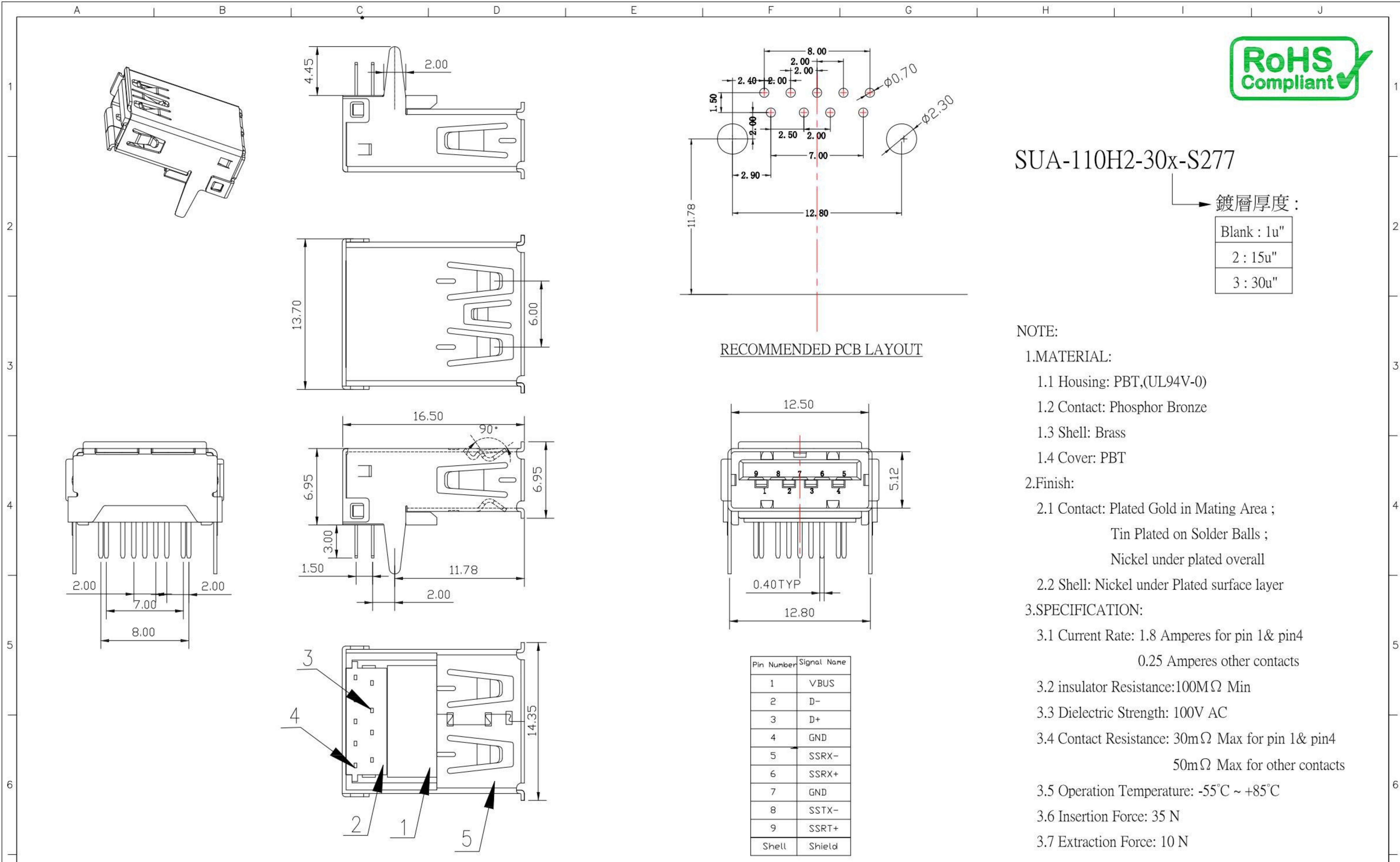
- 3.1 Current Rate: 1.8 Amperes for pin 1& pin4
0.25 Amperes other contacts
- 3.2 insulator Resistance:100MΩ Min
- 3.3 Dielectric Strength: 100V AC
- 3.4 Contact Resistance: 30mΩ Max for pin 1& pin4
50mΩ Max for other contacts
- 3.5 Operation Temperature: -55°C ~ +85°C
- 3.6 Insertion Force: 35 N
- 3.7 Extraction Force: 10 N



RECOMMENDED PCB LAYOUT



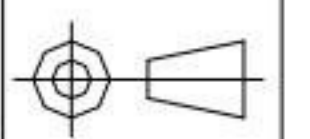
Pin Number	Signal Name
1	VBUS
2	D-
3	D+
4	GND
5	SSRX-
6	SSRX+
7	GND
8	SSTX-
9	SSRT+
Shell	Shield



KSD 科斯达电子科技有限公司
SWITCH CONNECTOR KSD ELECTRONIC TECHNOLOGY Co., LTD
全球 互联网 零组件 制造企业

TOLERANCE UNLESS OTHERWISE STATED:
Up to 5 ±0.2
Above 5 ~ 15 ±0.3
Above 15 ~ 30 ±0.4
Above 30 ~ 50 ±0.5
Angle ±0.3°

3RD. ANGEL'S



UNITS MM

DRAWN BY:	DATE	MAT'L	TITLE	CONNECTOR
Jack Lu	06/13/14			
CHECKED BY:	DATE	FINISH	MODLE	USB 3.0 A/F 90 度 DIP 直脚
Jacky Chen	06/13/14			
APPROVED BY:	DATE	SCALE	DWG NO.	SUA-110H2-30x-S277
Tony Kao	06/13/14	1 : 1		
SHEET NO.	1 of 1	PART NO.	SUA-110H2-30x-S277	SIZE A4
				VER R