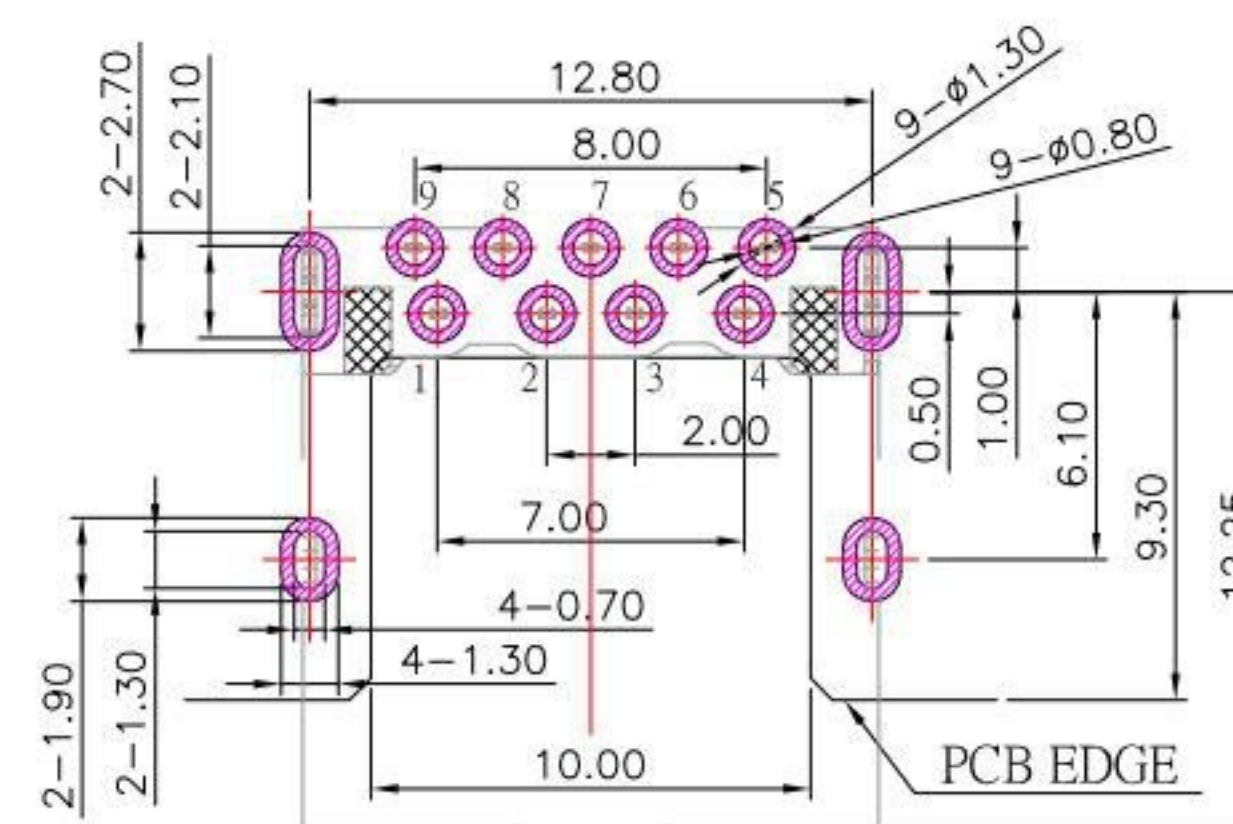
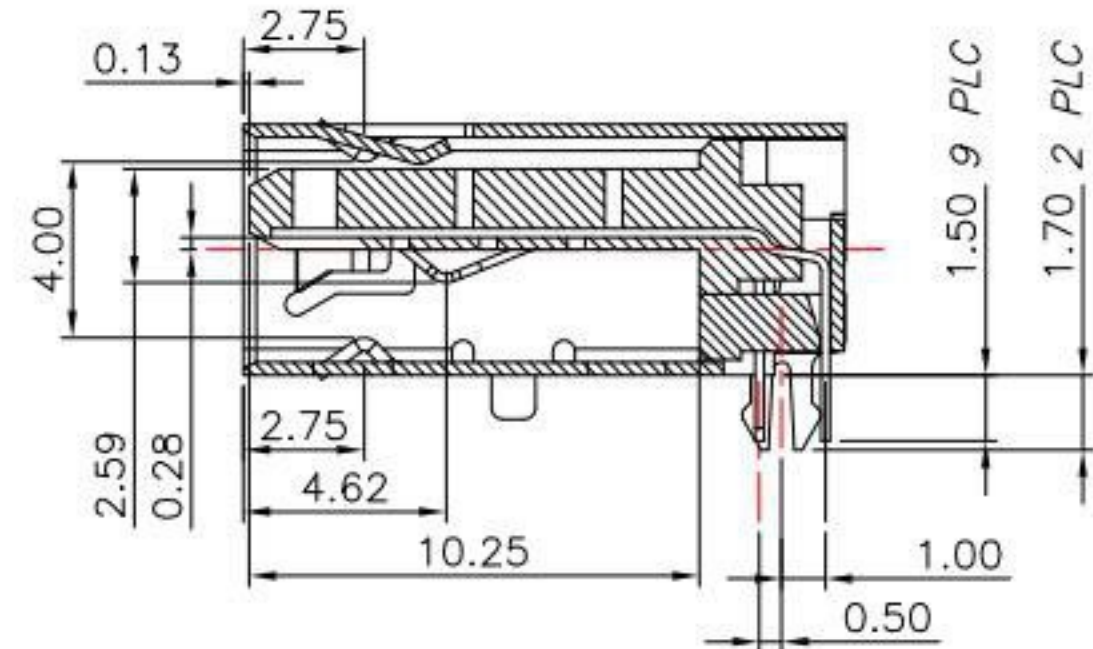
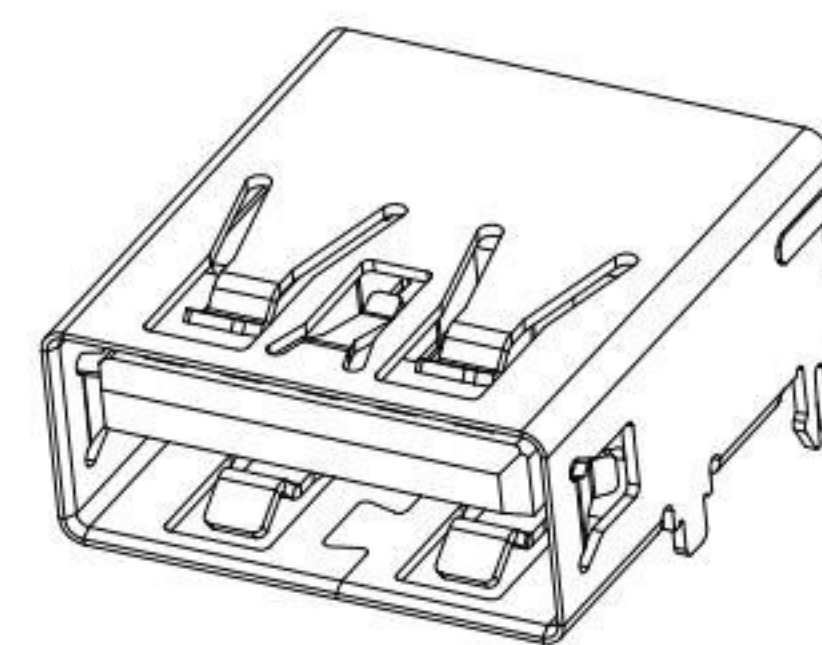
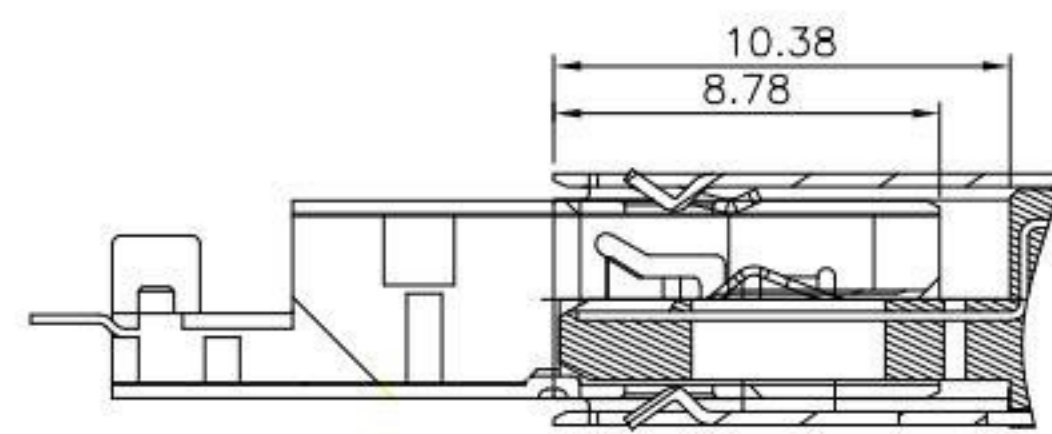
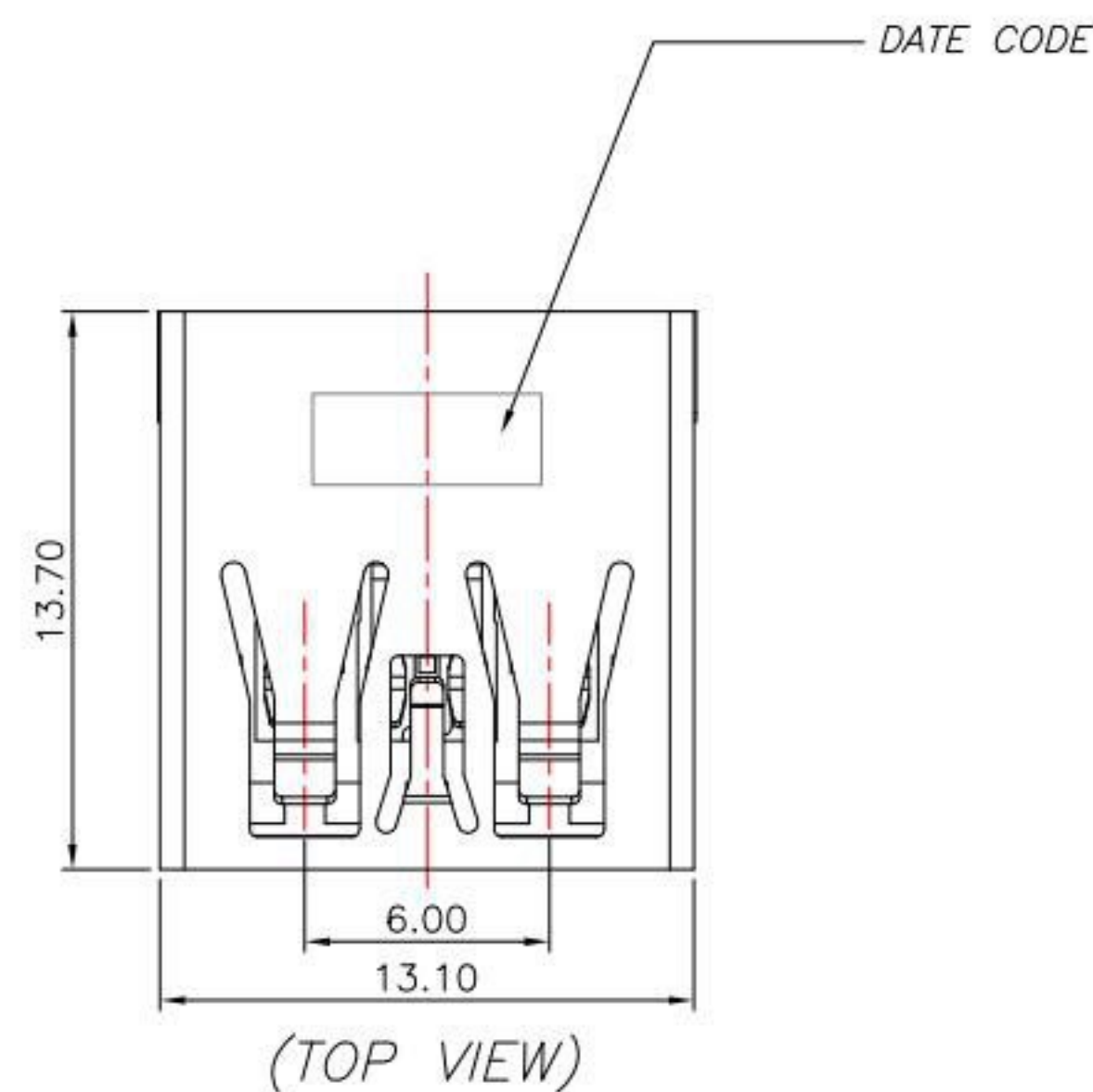




# SUA-110H24-30xx-S277

鍍層厚度:	COLOR:
Blank : 1u"	BLUE : Blank
2 : 15u"	Black : B
3 : 30u"	Red : R



## NOTE:

### 1.MATERIAL:

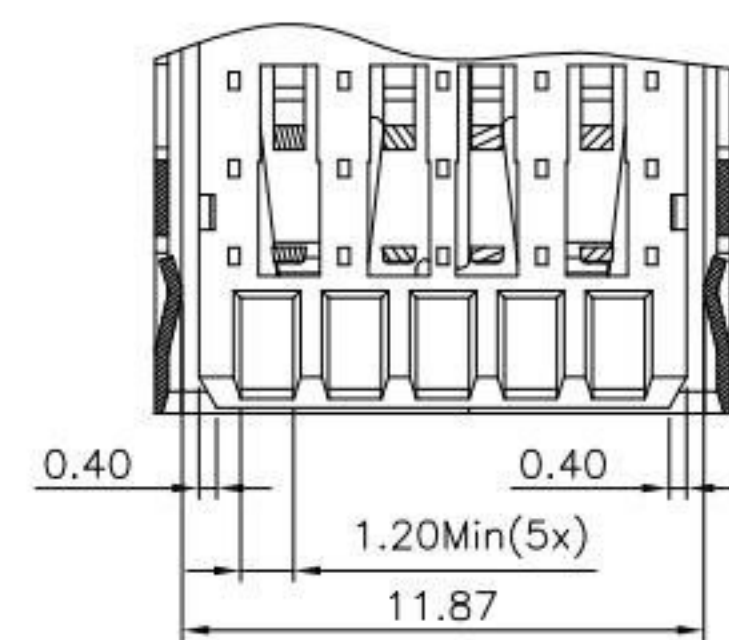
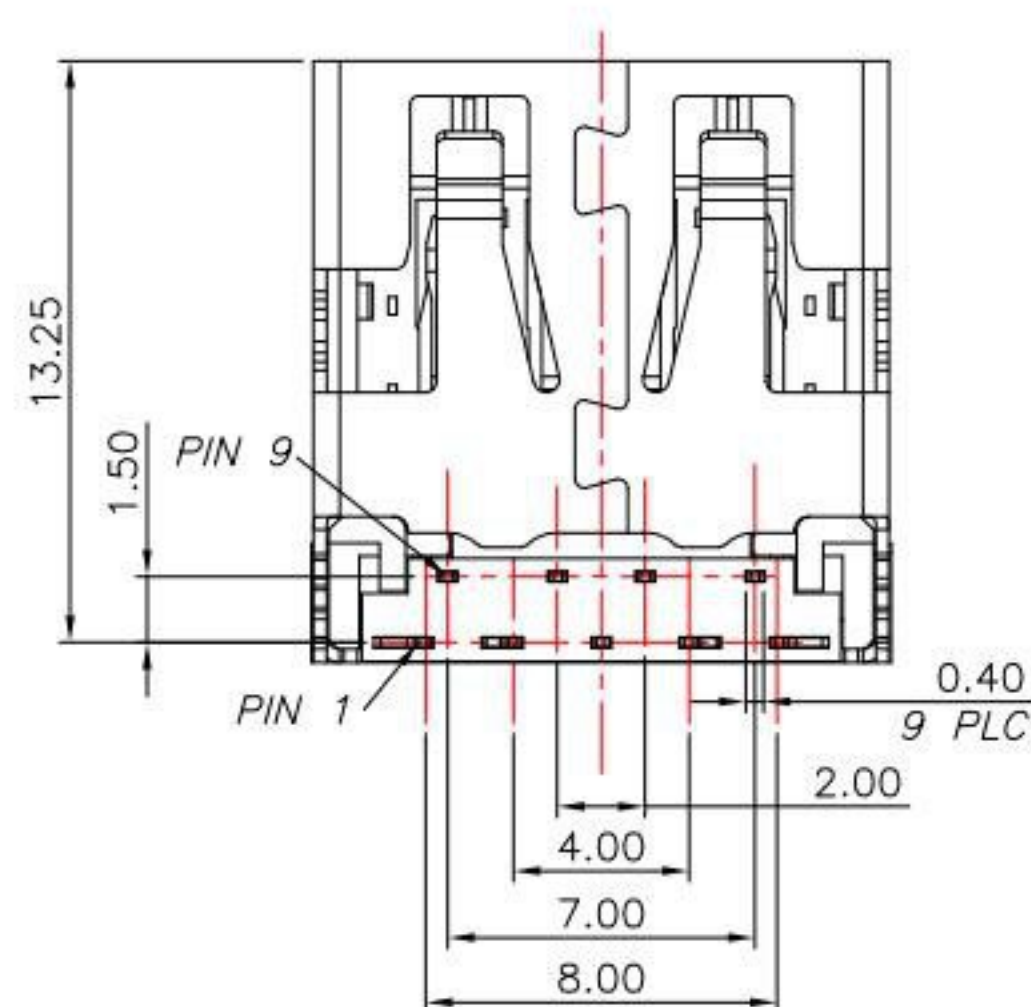
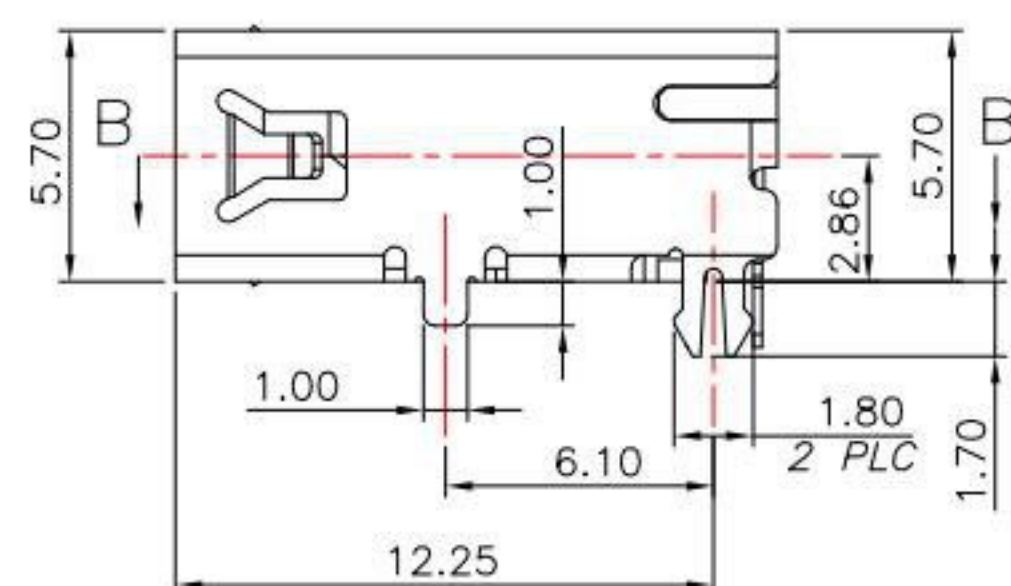
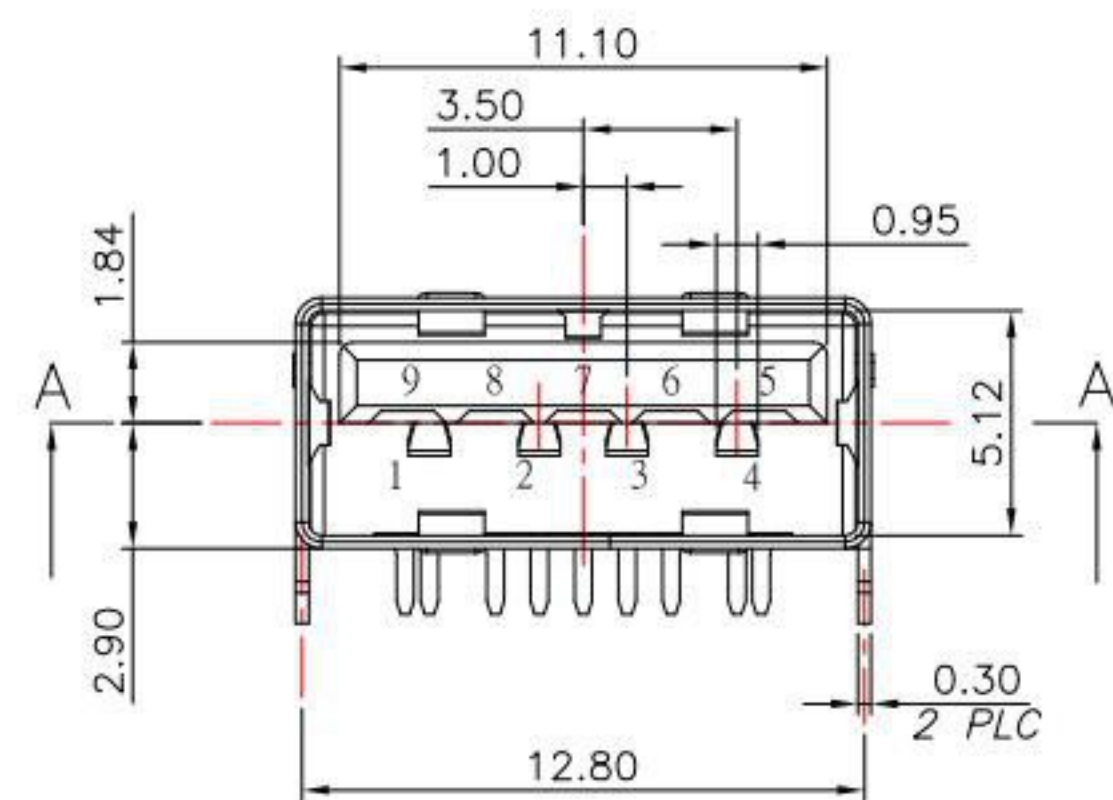
- 1.1 Housing: LCP,(UL94V-0)
- 1.2 Contact: Phosphor Bronze
- 1.3 Shell: SUS

### 2.Finish:

- 2.1 Contact: Plated Gold in Mating Area ;  
Tin Plated on Solder Balls ;  
Nickel under plated overall
- 2.2 Shell: Nickel under Plated surface layer

### 3.SPECIFICATION:

- 3.1 Current Rate: 1.5 A
- 3.2 insulator Resistance: 100MΩ Min
- 3.3 Dielectric Strength: 500V AC
- 3.4 Contact Resistance: 30mΩ Max
- 3.5 Operation Temperature: -40°C ~ +85°C
- 3.6 Insertion Force: 35 N
- 3.7 Extraction Force: 10 N



Pin #	SIGNAL NAME	DESCRIPTION	MATING SEQUENCE
1	VBUS	POWER	SECOND
2	D-	USB 2.0 DIFFERENTIAL PAIR	THIRD
3	D+	DIFFERENTIAL PAIR	
4	GND	GROUND FOR POWER RETURN	SECOND
5	StdA_SSRX-	SUPER SPEED RECEIVER DIFFERENTIAL PAIR	LAST
6	StdA_SSRX+	DIFFERENTIAL PAIR	
7	GND_DRAIN	GROUND FOR SIGNAL RETURN	
8	StdA_SSTX-	SUPER SPEED TRANSMITTER DIFFERENTIAL PAIR	
9	StdA_SSTX+	DIFFERENTIAL PAIR	
Shell	Shield	CONNECTOR METAL SHELL	FRIST

ITEM NO.	DESCRIPTION	DRAWN	DATE
5	更新pcb layout	Jack	030520
4	新增pcb layout尺寸	Jack	101619
3	更新pcb layout	Jack	092618
2	更新為A0版	Jack	051617
1	更新尺寸6.6改6.1	Jack	040715

**KSD** 科斯达电子科技有限公司  
 SWITCH CONNECTOR KSD ELECTRONIC TECHNOLOGY Co., LTD  
 全球 互聯零組件製造企業

TOLERANCE UNLESS OTHERWISE STATED:  
 Up to 5 ±0.2  
 Above 5 ~ 15 ±0.3  
 Above 15 ~ 30 ±0.4  
 Above 30 ~ 50 ±0.5  
 Angle ±0.3

3RD. ANGEL'S

UNITS MM

DRAWN BY:	DATE	MAT'L	TITLE	CONNECTOR
Jack Lu	03/05/20			
CHECKED BY:	DATE	FINISH	MODLE	USB A/F DIP R/A TYPE
Jacky Chen	03/05/20			
APPROVED BY:	DATE	SCALE	DWG NO.	SUA-110H24-30xx-S277
Tony Kao	03/05/20	1 : 1		
		SHEET NO.	PART NO.	SUA-110H24-30xx-S277
		1 of 1		
				SIZE A4
				VER R5