

P.C.B LAYOUT MOUNTING PATTERN

SUA-110H26Ax-x-S236

SHELL :	COLOR :
Blank : BRASS	Black: B
I : SPCC	White : W

**SPECIFICATIONS**

**Electrical:**

- 1.Contact Resistance: 30 mΩ Max
- 2.Dielectric Withstanding Voltage: 500 V AC / 1 minute
- 3.Insulation Resistance: 1,000 MΩ Min

**Mechanical:**

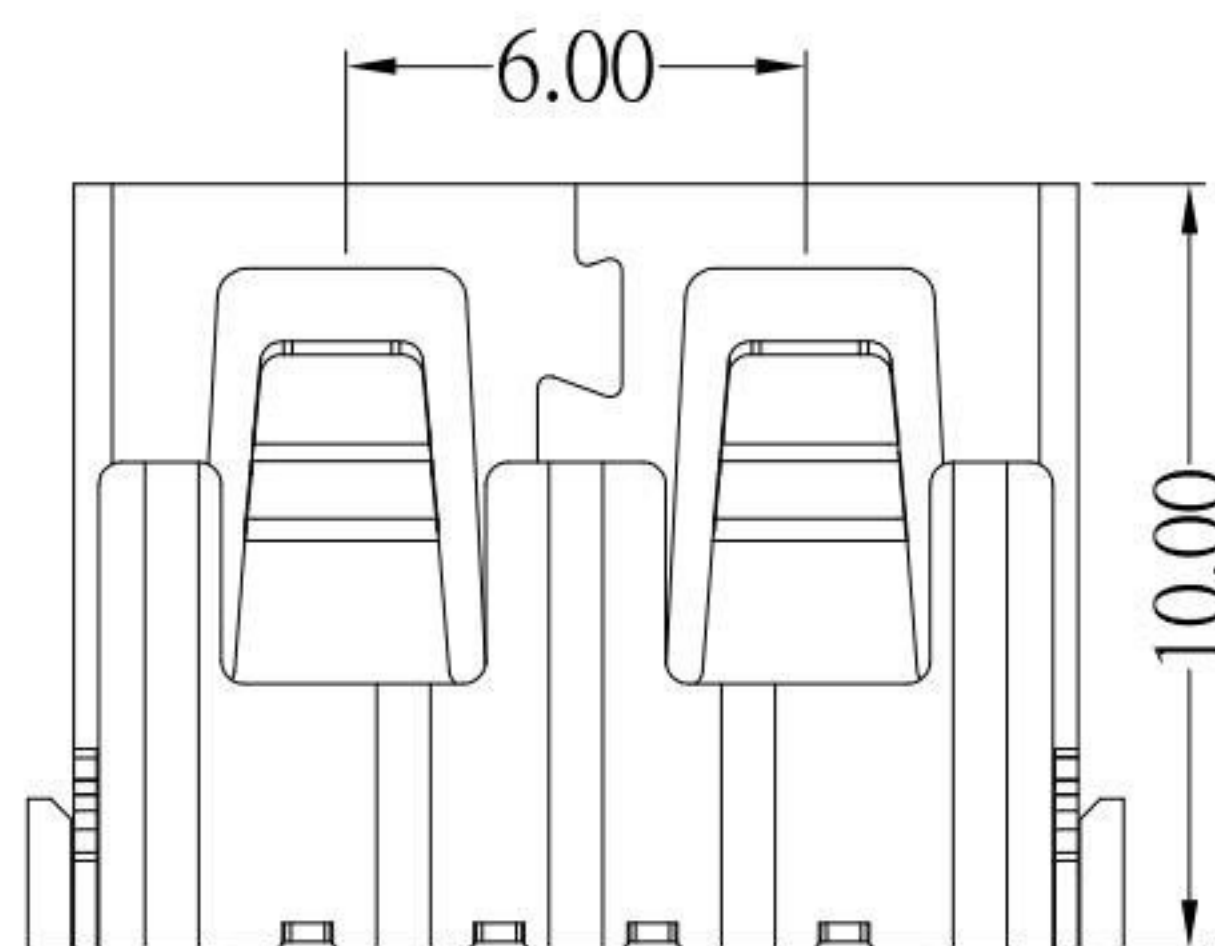
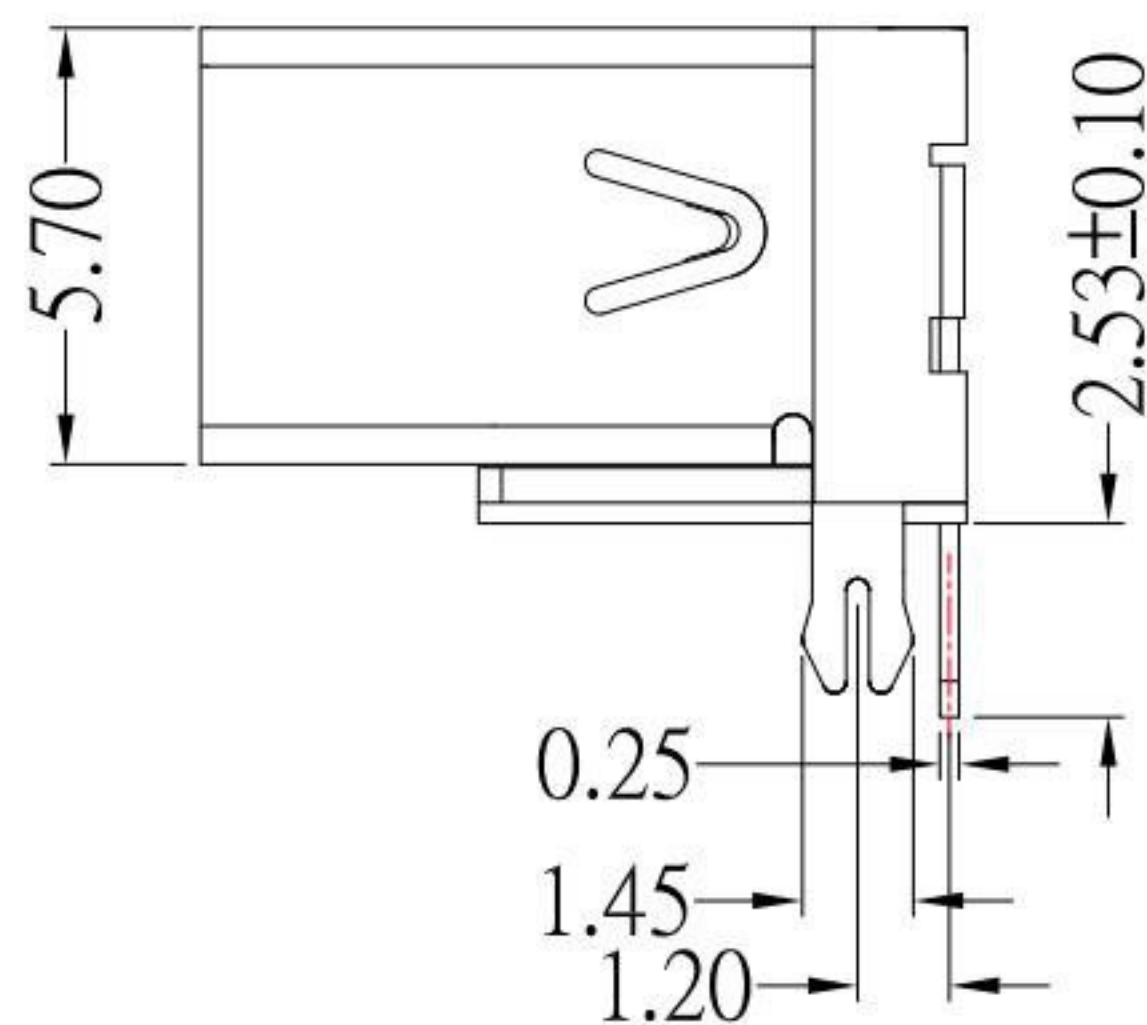
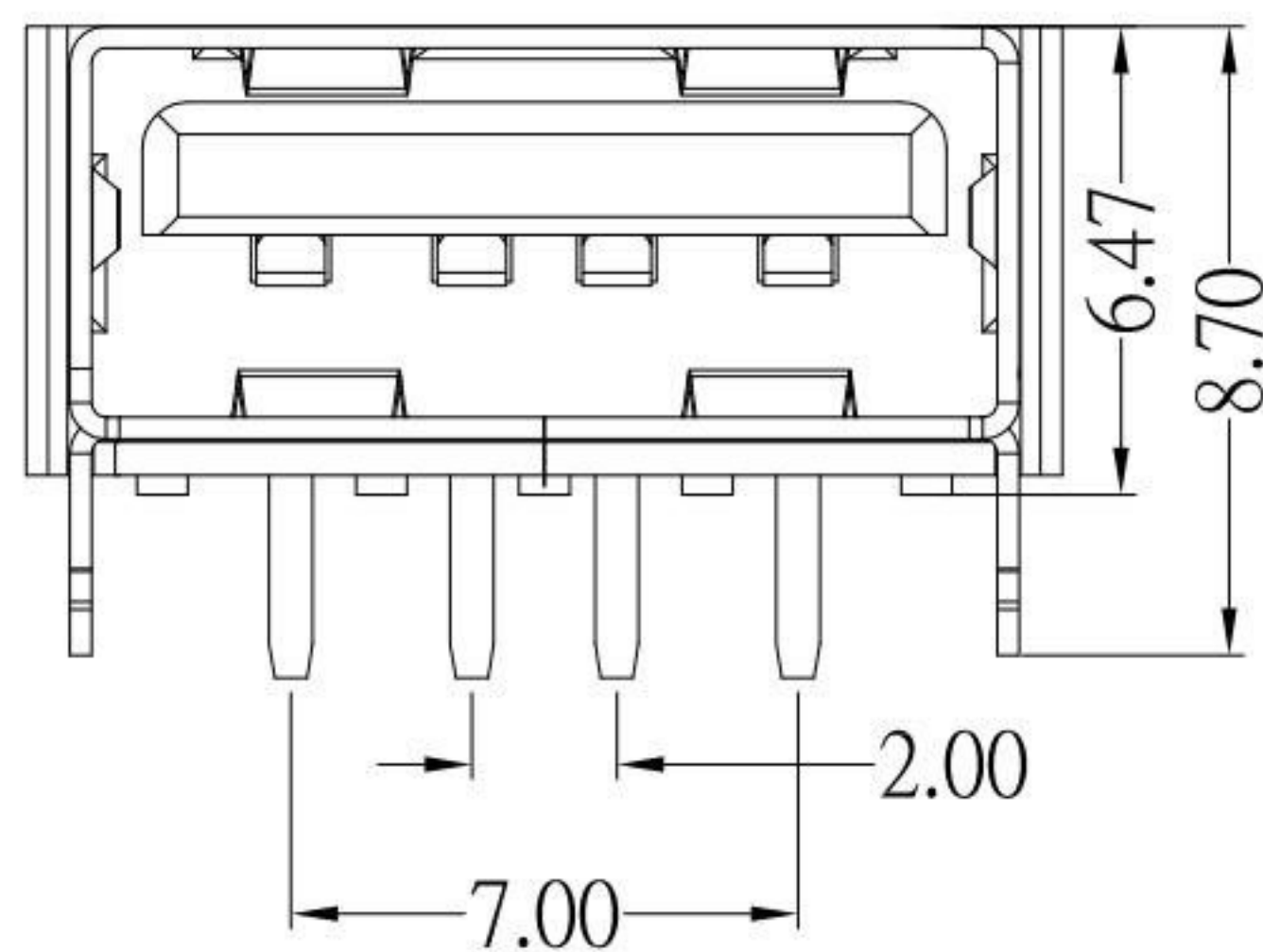
- 1.Connector Mate and Unmate Force
  - 1.1 Mate force: 35 N (Max)
  - 1.2 Unmate force: 10N (Min)

**Material:**

- 1.Housing: LCP
- 2.Contact: Phosphor Bronze
- 3.Shell: Brass / Spcc

**Finish:**

- 1.Contact: Plated Gold in Mating Area ;  
Tin Plated on Solder Balls ;  
Nickel under plated overall
- 2.Shell: Nickel under Plated surface layer



**KSD** 科斯达电子科技有限公司  
 SWITCH CONNECTOR 全球 互联零组件制造企业  
 KSD ELECTRONIC TECHNOLOGY Co., LTD

TOLERANCE UNLESS OTHERWISE STATED :	Up to 5 ±0.2	Above 5 ~ 15 ±0.3	Above 15 ~ 30 ±0.4	Above 30 ~ 50 ±0.5	Angle ±0.3	3RD. ANGEL'S	UNITS	MM
-------------------------------------	--------------	-------------------	--------------------	--------------------	------------	--------------	-------	----

DRAWN BY:	DATE	MAT'L	TITLE	CONNECTOR
Jack Lu	06/11/19			
CHECKED BY:	DATE	FINISH	MODLE	USB AF 短體10.0 後2 腳插板 無捲邊 H:6.47
Jacky Chen	06/11/19			
APPROVED BY:	DATE	SCALE	DWG NO.	SUA-110H26Ax-x-S236
Tony Kao	06/11/19	1 : 1		
		SHEET NO.	PART NO.	SUA-110H26Ax-x-S236
		1 of 1		

1	更新樣式	Lan	061119
ITEM NO.	DESCRIPTION	DRAWN	DATE